

INSTALLATION MANUAL

PRODUCT: REAR BUMPER
MODEL: MITSUBISHI TRITON (2015-)
PART NO: 2D.4003.1



CAUTION!

To reduce the risk of serious injury or damage, please read and understand all instructions and procedures before attempting to install or use this product.
Safety glasses must be worn at all times during installation or maintenance of this product.
Ensure all mounting bolts are tensioned after 1000 kms and periodically there after.

NOTICE

Whilst the bumper adds additional protection to your vehicle, precautionary measures still need to be taken to avoid damage.
Always drive to the conditions and your surroundings.

REAR BUMPER FOR MITSUBISHI TRITON

Part Number:	2D.4003.1
Suited to vehicle:	Mitsubishi L200 / Triton 2015-
Material:	Aluminum/Steel
Dimensions:	1850x650x250mm
Weight:	46kg



SAFETY NOTICE

- * The RIVAL Bumper is designed to compliment the use and design of the specified vehicle under conditions specified by the car manufacturer.
- * While driving the vehicle at any speed, collision with any other vehicle, animal or object must always be avoided.
- * Following any collision with any other vehicle, animal or object, the RIVAL Bumper and the vehicle must be inspected by a specialized or suitably qualified vehicle repairer for possible damage to the components and assemblies in order to confirm suitability for further use of the vehicle.
- * It is strongly recommended that you do not operate a vehicle with a damaged bumper or its components. In the case of damage, please contact the nearest RIVAL dealer.
- * The operation of a vehicle where the bumper is not properly attached and fastened to the vehicle, or where the bumper has been damaged, is extremely dangerous and must be avoided at all cost.
- * It is recommended that you carry out regular inspections of all the bumper elements such as all bolts, wires, connectors.

INSTALLATION NOTICE

- * The RIVAL Bumper must be mounted and affixed to the vehicle according to this installation manual.
- * Personal safety during the installation process must be adhered to at all times and the use of personal safety equipment is highly recommended

REQUIRED TOOLS

- * Basic tool kit
- * Electric drill
- * Drill set
- * Torque wrench
- * Box knife
- * Marker

TORQUE SETTINGS

- * M6 9 Nm
- * M10 44 Nm
- * M12 77 Nm

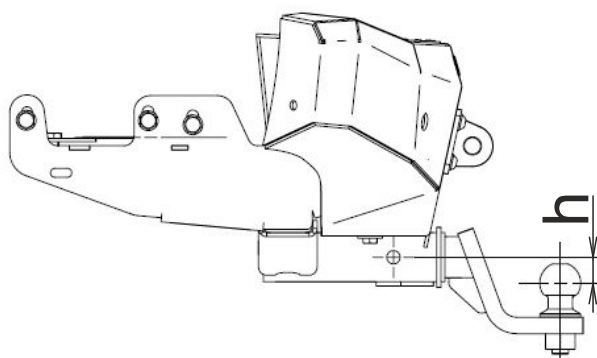
*TOW BAR INSTALLATION

The bumper design provides for installation of the American-style tow bar – square 2 (50.8 mm).

Maximum allowable vertical static load on the tow bar should be not more than 100 kg, irrespective of the trailer total weight.

Maximum total weight of the towed trailer:

Distance h, mm	Trailer weight without braking mechanism, kg	Trailer weight fitted with braking mechanism, kg
0-35	1000	2500
36-80	750	1700



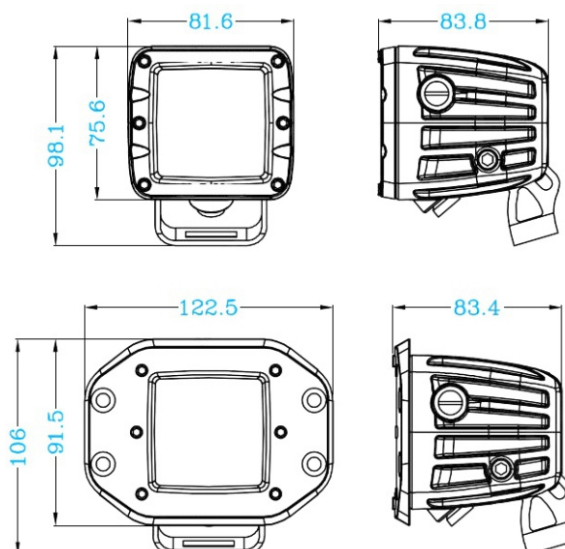
Caution!

Towing of the trailer which is incompliant with specified requirements may result in damage to tow bar or bumper.

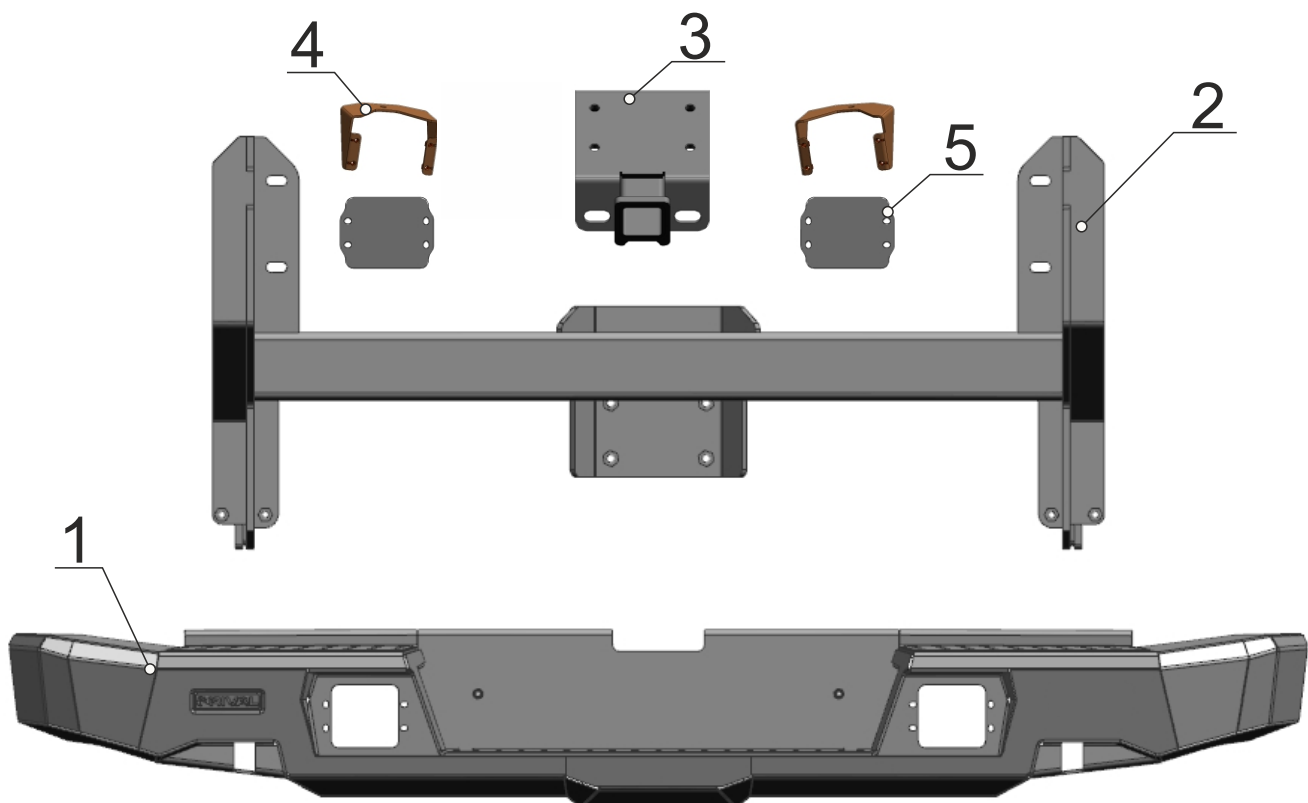
*LIGHTS

The bumper provides for the light mounting points.

Overall dimensions of the lights under installation:

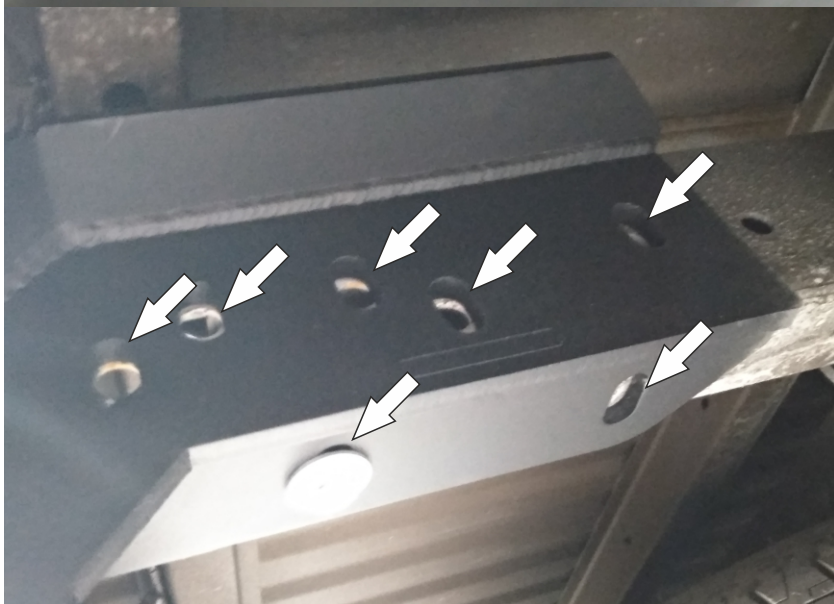


- 1. Bumper facia..... 1 pce
- 2. Bumper Arm1 pce
- 3. Tow Bar Square.....1 pce
- 4. Light Bracket.....2 pcs
- 5. Headlamp Blind Plug.....2 pcs
- 6. Tow Bar Socket Bracket..... 1 pce
- 7. Bolt M12x1,25x35..... 4 pcs
- 8. Bolt 10x30..... 14 pcs
- 9. Screw 10x30..... 4 pcs
- 10. Screw 6x20..... 8 pcs
- 11. Nut 10..... 14 pcs
- 12. Nut 6..... 8 pcs
- 13. Washer 12..... 4 pcs
- 14. Washer 10..... 28 pcs
- 15. Washer 6..... 16 pcs
- 16. Tie Wrap..... 10 pcs
- 17. Screw 5x16..... 4 pcs
- 18. Nut M5..... 4 pcs
- 19. Washer 5..... 4 pcs
- 20. Adjusting Plate..... 4 pcs





1. Open the hood.
2. Disconnect the «-» terminal from the vehicle battery.
3. Remove the license plate lights by unbending the plastic clamber



4. Install the bumper arm on the car frame, using bolts M10x30, washers 10 and nuts M10.



5. *Set the lamps (pos.19) on the light brackets (pos.4) using the fastenings from the lights kit.

**For a package with lights.*

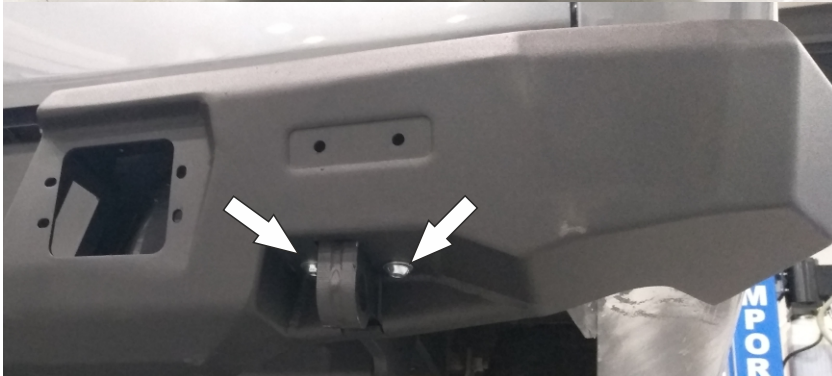


6.* Install the brackets with lamps into the bumper facia (pos. 1) using M6x16 screws (pos.13).

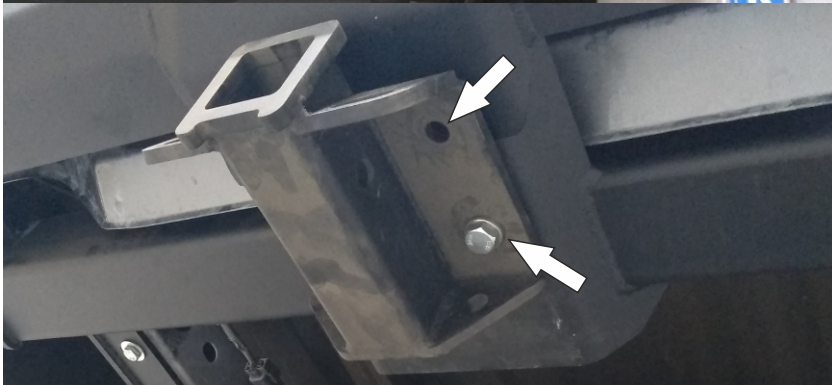
* For a package with lights.



7. Install the bumper arm on the car frame.



8. Fix it by means of M10x30 screws and washers 10.



9. Install the tow bar on the bumper, by means of M12x1.25x30 bolts, and washers 12 (on the right side).



10. Fix the tow bar on the left side, through the socket bracket.



11. Install the license plate lights in the bumper fascia.

- Before operating a vehicle fitted with a RIVAL Bumper:***
- make sure all fittings are tightened***
 - check all electrical wiring attached to lights***

