

# Mitsubishi L200 Triton

TAILGATE STRUT KIT  
Installation Instructions



Model year: 2016-2019; 2019-

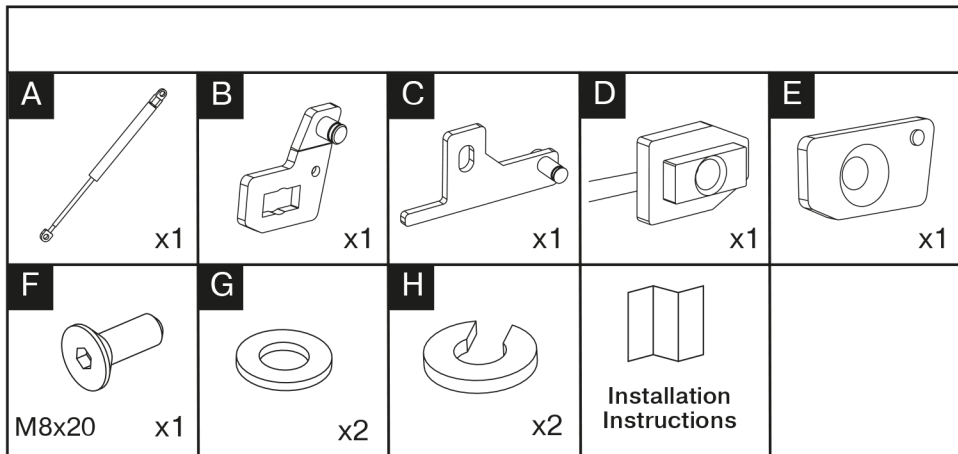
Part No.: 2AB.ST.4010.1

Compatibility: all types

Weight: 1 kg

Installation time: 30 min





### Required Tools

