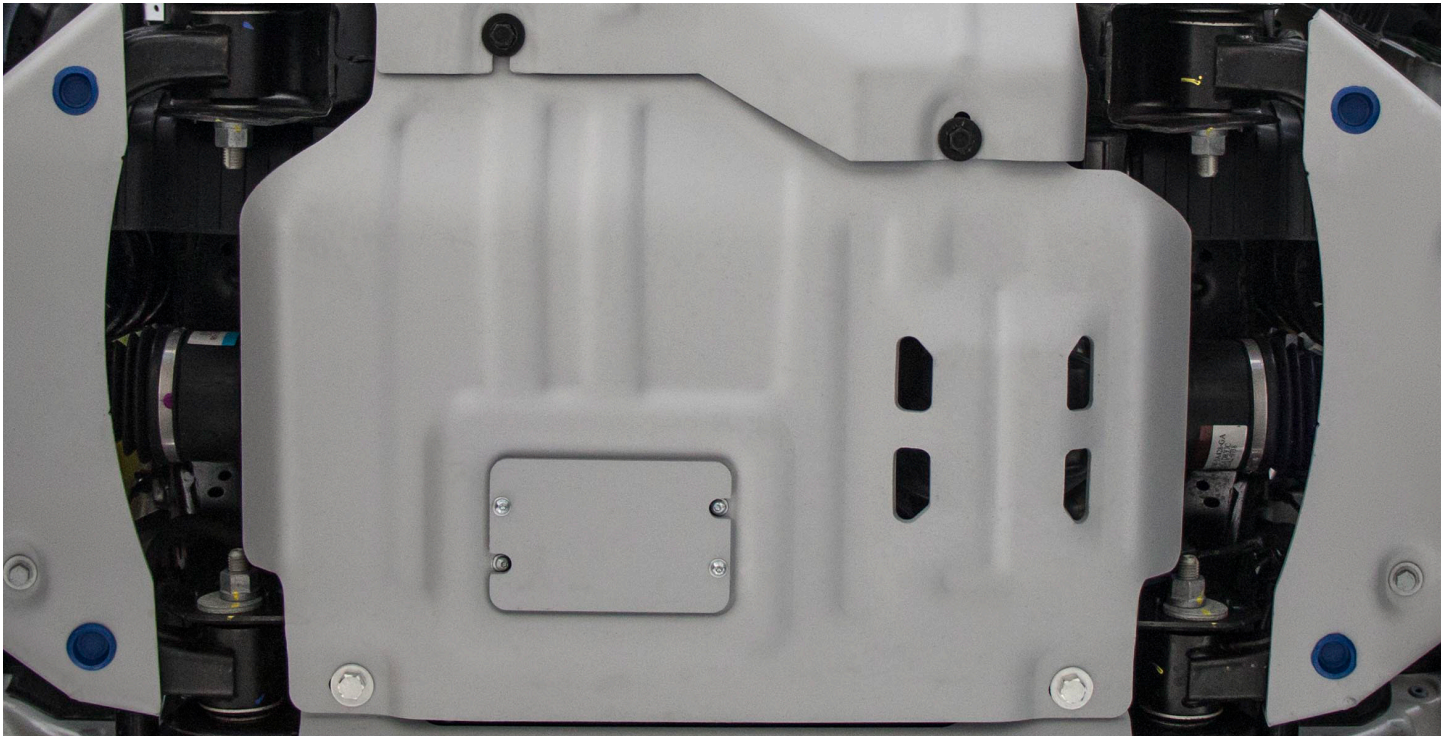


PRODUCT: ENGINE SKID PLATE

APPLICATION: FORD RANGER (2022-Present)  
FORD RANGER RAPTOR (2022-Present)  
FORD EVEREST (2022-Present)  
VOLKSWAGEN AMAROK (2023-Present)  
FORD RANGER PLUG-IN-HYBRID (2025-Present)  
FORD BRONCO (2022-Present)

PART NO: 2111.1885.1.3  
2333.1885.1  
2333.1885.1.6

UP-TO-DATE  
MANUAL



## CAUTION!

To reduce the risk of serious injury or damage to property: Before you start installing and using this product, read the full instructions, pay special attention to the conditions of safe use and recommendations for installation! When installing or maintaining this product, it is necessary to use protective goggles. Check the integrity of the installed components and torque all hardware every 250 miles (400 kms). Discontinue use if there is any damage to the structure or fasteners!

## NOTICE

Skid plates are supplemental protection. We cannot guarantee protection against all possible damage from impacts. When driving, be careful of objects and terrain that may damage sensitive parts of the vehicle.

# ENGINE SKID PLATE

# RIVAL

Part number 2111.1885.1.3  
2333.1885.1  
2333.1885.1.6

Suited to vehicle: Ford Ranger\* 2.0D, 3.0D, 2.3; AT; 4WD (2022-Present)  
Ford Ranger Raptor 3.0; AT; 4WD (2022-Present)  
Ford Everest 2.0D; AT; 4WD (2022-Present)  
Volkswagen Amarok 2.0D, 3.0D; AT; 4WD (2023-Present)  
Ford Ranger Plug-In-Hybrid 2.3; AT; 4WD (2025-Present)  
Ford Bronco 2.3, 2.7, 3.0; AT; 4WD; 2-door, 4-door (2020-present)

Material: Steel / Aluminum



**\*Applicable to Double Cab**

## SAFETY NOTICE

- \* The RIVAL skid plate is designed to complement the use and design of the specified vehicle under conditions underlined by the vehicle manufacturer.
- \* While driving the vehicle at any speed, collision with another vehicle, animal or object must always be avoided.
- \* Following any collision with another vehicle, animal or object, the RIVAL skid plate and the vehicle must be inspected by a specialized or suitably qualified vehicle technician for possible damage to the components and assemblies in order to confirm suitability for further use of the vehicle.
- \* It is strongly recommended that you do not operate a vehicle with a damaged skid plate or its components. In the case of damage, please contact the nearest RIVAL dealer. A damaged vehicle or skid plate is extremely dangerous and should be avoided at all cost.
- \* We recommend using a funnel when changing the oil to prevent spills and ensure a clean process.

## INSTALLATION NOTICE

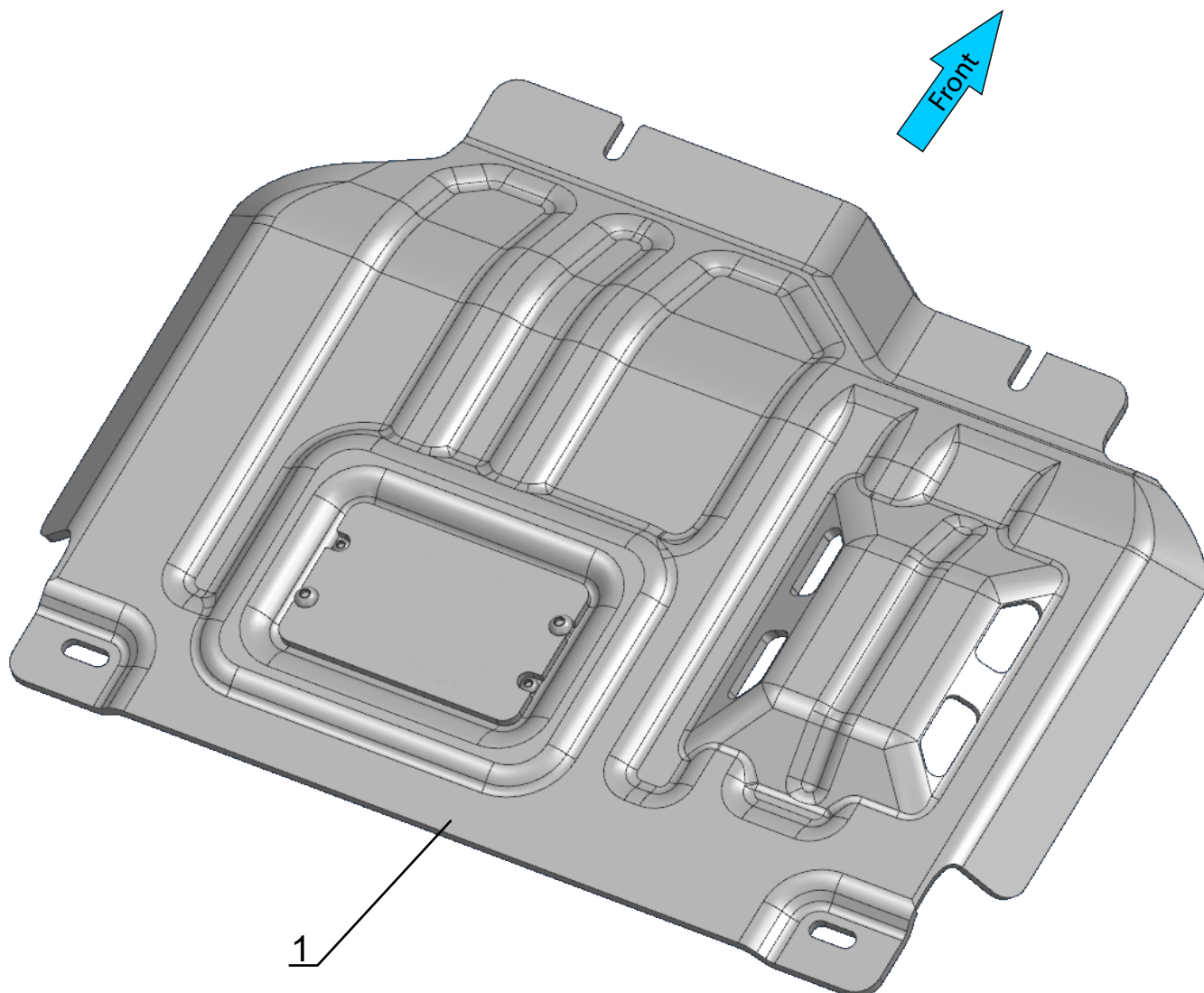
- \* The RIVAL skid plate must be mounted to the vehicle according to this installation manual.
- \* Personal safety during the installation process must be adhered to at all times.
- \* Do not install this skid plate on vehicle models other than those listed in this manual.
- \* Estimated time for installation: 1 hour.
- \* It's good practice to use a tap on all included hardware and bracketry to ensure ease of final assembly.

## REQUIRED TOOLS

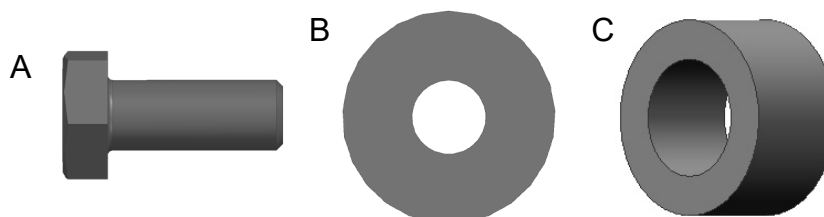
- \* Basic tool kit
- \* Torque wrench

## TORQUE SETTING

- \* M10 - 47 Nm (34.7 lb/ft)



1. Engine skid plate.....Qty 1



A. Bolt M10x1.5x30.....Qty 4  
B. Washer M10.....Qty 4  
C. Spacer 6 mm.....Qty 2

# INSTALLATION PROCEDURE



\*If equipped, remove factory or any aftermarket skid plates that might interfere with installation.

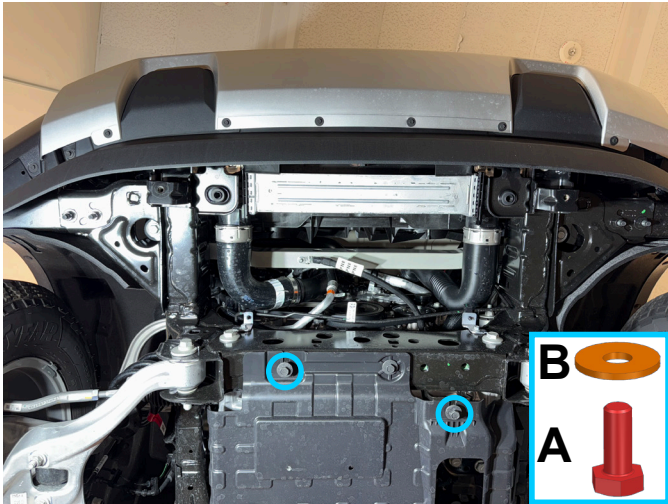


Fig. 1

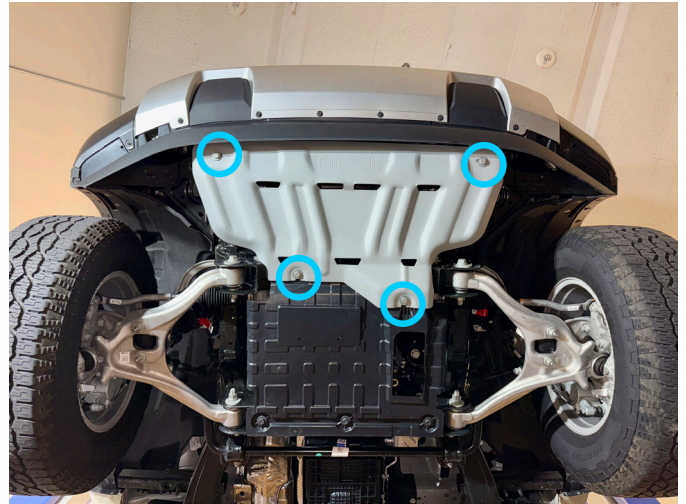


Fig. 2

1. Loosely install M10x30 bolts (item A) with M10 washers (item B) into crossmember as shown in fig.1. At this point only thread the bolt in 2-3 turns to allow the skid plate to slide under in the next step.

\*\*If the vehicle has the RIVAL radiator skid plate, loosen the front and rear bolts of the radiator skid plate shown in fig.2 (2111.1884.1.3 / 2333.1884.1 / 2333.1884.1.6)

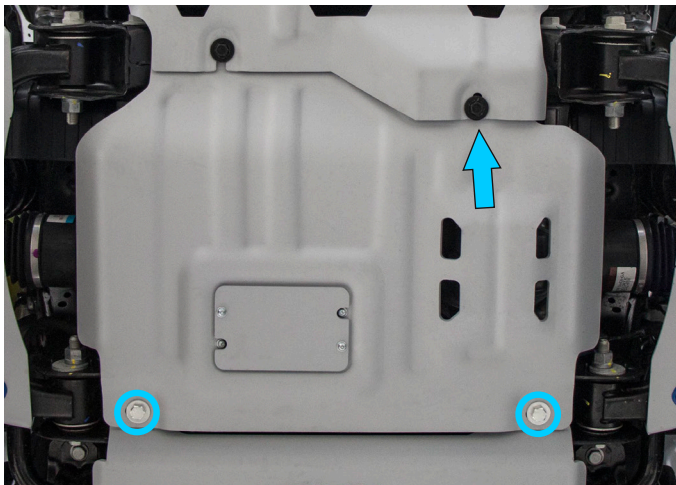


Fig. 3

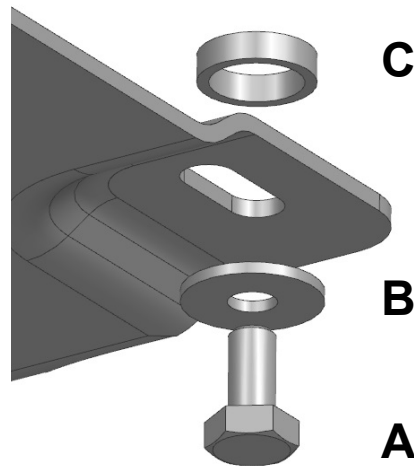


Fig. 4

2. Slide front of the skid plate (item 1) under the previously installed M10x30 bolts and M10 washers from step 1. Secure the rear of engine skid plate as shown in fig.3 using M10x30 bolts (item A), M10 washers (item B) and spacers (item C) as oriented in fig.4

**\*Tighten all hardware.**

\*Do not use spacers (item C) if you plan to install the RIVAL transmission skid plate at the same time.

Before operating a vehicle fitted with RIVAL Skid Plate:

- make sure all fittings are tightened;
- ensure the integrity of the structure and its components.