

# INSTALLATION MANUAL

PRODUCT: REAR BUMPER  
MODEL: TOYOTA HILUX (2011-2015)  
TOYOTA HILUX (2015-)  
PART NO: 2D.5715.1



## CAUTION!

To reduce the risk of serious injury or damage, please read and understand all instructions and procedures before attempting to install or use this product.  
Safety glasses must be worn at all times during installation or maintenance of this product.  
Ensure all mounting bolts are tensioned after 1000 kms and periodically there after.

## NOTICE

Whilst the bumper adds additional protection to your vehicle, precautionary measures still need to be taken to avoid damage.  
Always drive to the conditions and your surroundings.

## REAR BUMPER FOR TOYOTA HILUX

<b>Part Number:</b>	2D.5715.1
<b>Suited to vehicle:</b>	Toyota Hilux 2011-2015 Toyota Hilux 2015-
<b>Material:</b>	Aluminum/Steel
<b>Dimensions:</b>	1860x600x300mm
<b>Weight:</b>	43kg



## SAFETY NOTICE

- \* The RIVAL Bumper is designed to compliment the use and design of the specified vehicle under conditions specified by the car manufacturer.
- \* While driving the vehicle at any speed, collision with any other vehicle, animal or object must always be avoided.
- \* Following any collision with any other vehicle, animal or object, the RIVAL Bumper and the vehicle must be inspected by a specialized or suitably qualified vehicle repairer for possible damage to the components and assemblies in order to confirm suitability for further use of the vehicle.
- \* It is strongly recommended that you do not operate a vehicle with a damaged bumper or its components. In the case of damage, please contact the nearest RIVAL dealer.
- \* The operation of a vehicle where the bumper is not properly attached and fastened to the vehicle, or where the bumper has been damaged, is extremely dangerous and must be avoided at all cost.
- \* It is recommended that you carry out regular inspections of all the bumper elements such as all bolts, wires, connectors.

## INSTALLATION NOTICE

- \* The RIVAL Bumper must be mounted and affixed to the vehicle according to this installation manual.
- \* Personal safety during the installation process must be adhered to at all times and the use of personal safety equipment is highly recommended

## REQUIRED TOOLS

- \* Basic tool kit
- \* Electric drill
- \* Drill set
- \* Torque wrench
- \* Box knife
- \* Marker

## TORQUE SETTINGS

- \* M6 9 Nm
- \* M10 44 Nm
- \* M12 77 Nm

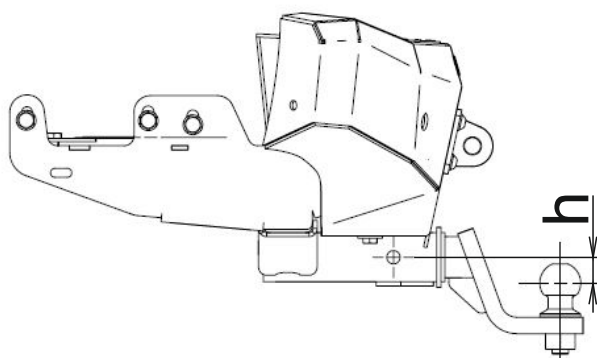
## \*TOW BAR INSTALLATION

The bumper design provides for installation of the American-style tow bar – square 2 (50.8 mm).

Maximum allowable vertical static load on the tow bar should be not more than 100 kg, irrespective of the trailer total weight.

Maximum total weight of the towed trailer:

Distance h, mm	Trailer weight without braking mechanism, kg	Trailer weight fitted with braking mechanism, kg
0-35	1000	2500
36-80	750	1700



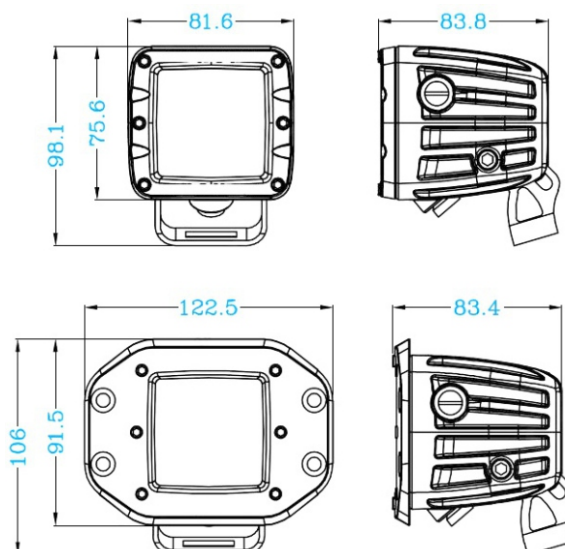
### Caution!

**Towing of the trailer which is incompliant with specified requirements may result in damage to tow bar or bumper.**

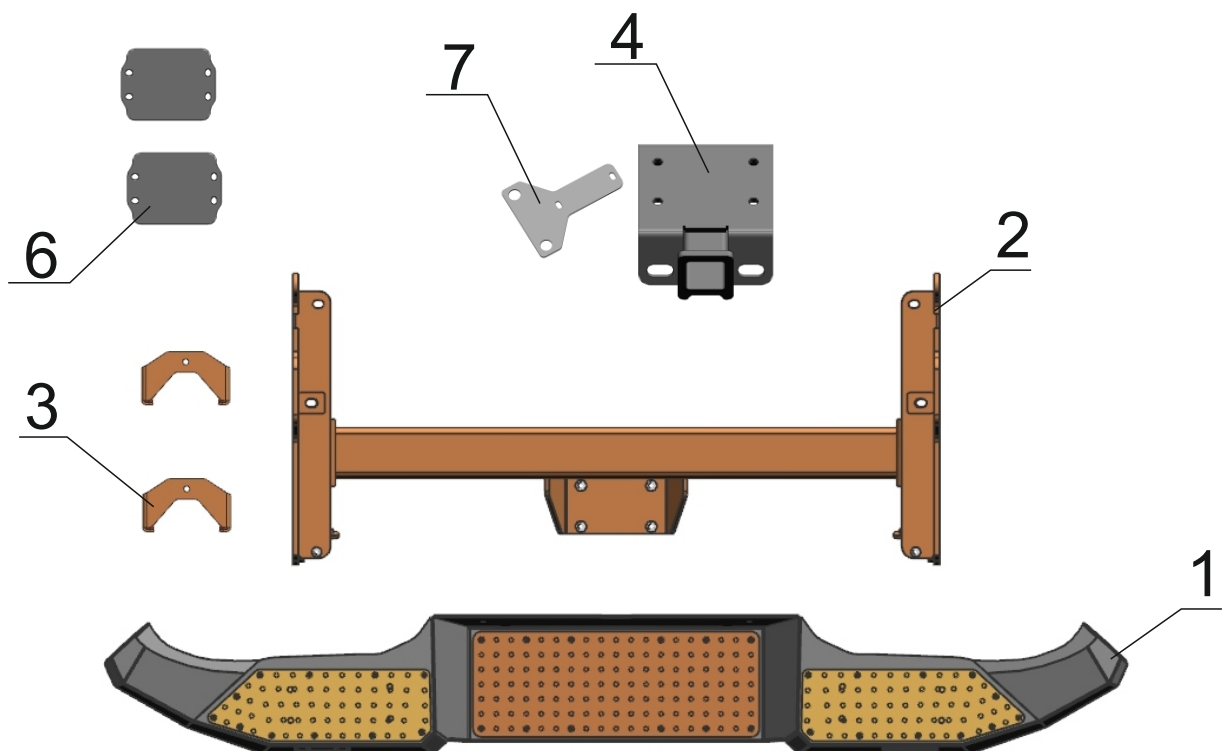
## \*LIGHTS

The bumper provides for the light mounting points.

Overall dimensions of the lights under installation:



1. Bumper facia...	1 pc.
2. Bumper bracket...	1 pc.
3. Light bracket...	2 pc.
4. Tow bar square...	1 pc.
5. Insert pin M10...	2 pc.
6. Plug of lights...	2 pc.
7. Socket bracket...	2 pc.
8. Adjustment shim....	4 pc.
9. Bolt 6x16....	4 pc.
10. Bolt 10x45....	2 pc.
11. Bolt 12x1,25x40...	10 pc.
12. Screw 6x16..	8 pc.
13. Screw 10x30...	4 pc.
14. Nut M6...	4 pc.
15. Nut M10..	4 pc.
16. Washer 6...	16 pc.
17. Increased washer 10...	4 pc.
18. Washer 10...	4 pc.
19. Washer 12...	10 pc.





1. Unscrew tension bolts of the standard bumper the left and right of the vehicle frame.  
Dismantle the bumper



*\*Paragraphs 2 and 3 for vehicles with rear park system:*

2. Remove gages from the bumper and detach the connectors.

Remove wiring from the bumper.



3. Remove plastic fasteners of sensors from the bumper.



5. Install the lights (18) onto the brackets (4).  
Align the position of the lights and tighten screw joints



6. Install lights and brackets into the bumper fascia using screws M6x16 (9) and washers (13).  
Adjust the position of lights.

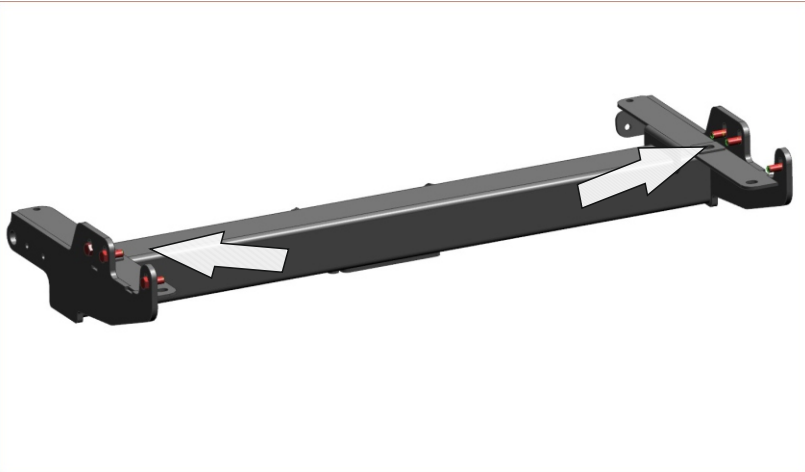
*\*Paragraphs 7 and 8 for vehicles with rear park system:*



7. Install plastic fasteners of rear parking sensors. At the same time, align the protrusion on the fasteners with the recess in the bumper.



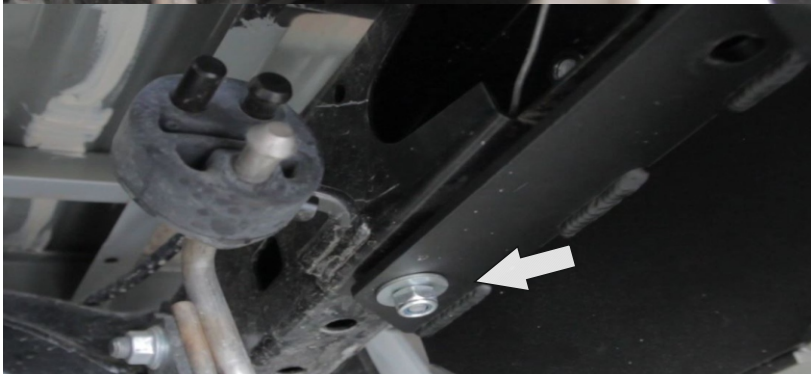
8. Install rear parking sensors into the fasteners.



11. Install bumper bracket on the car frame. Fasten with bolts M12x24x1,25 with washers M12x24.  
Do not tighten threaded connections.



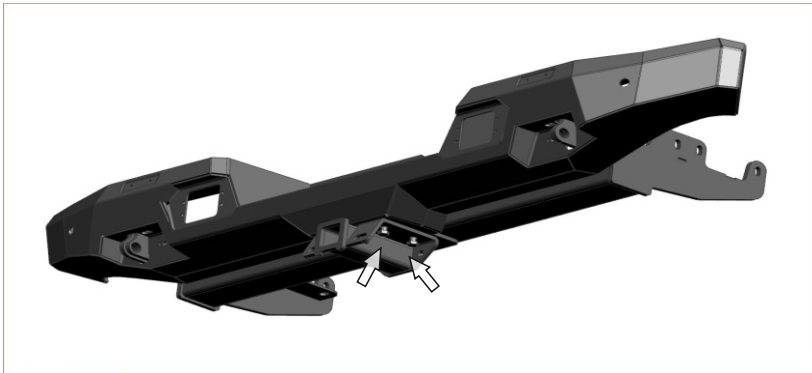
9. Put insert pin M10 (17) into the car frame. Screw on nut M10 and washer M10x30.  
Tighten all threaded connections.



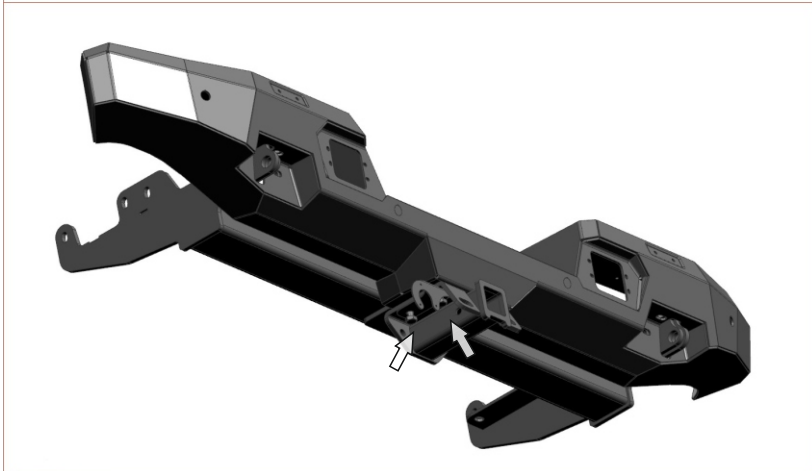
10. Install the bolt M10x30 with washer M10x30. Screw in nut M10 with washer M10x30.  
Tighten all threaded connections.



11. Install the bumper fascia onto the bracket and screw it in the 4 screws M10x30 and washers M10



12. Instal the towing bar bracket on the car and screw with 2 bolts M12x1,25x30 and washers M12x24 on several turns.



13. Instal the socket bracket on the towing bar bracket and screw with 2 bolts M12x1,25x30 and washers M12x24 on several turns.



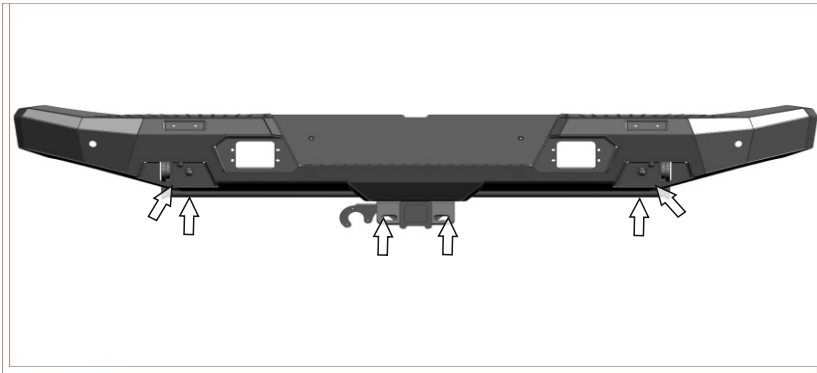
14. **Carefully** open the vehicle board. Check for the clearance between the bumper and board which should be 20 mm at least.

If the clearance is not sufficient, install the washers in the specified place on the left and right.

Tighten all threaded connections between the vehicle frame and the bumper bracket.







15. To align the bumper facing in relation to the vehicle body in order to achieve the equal clearance on the left and right.

Tighten screws M10x30 of bumper fasteners and bolts M12x1,25x30 in the bumper rear part.

***Before operating a vehicle fitted with a RIVAL Bumper:***

- make sure all fittings are tightened***
- check winch operation***
- check all electrical wiring attached to lights***

