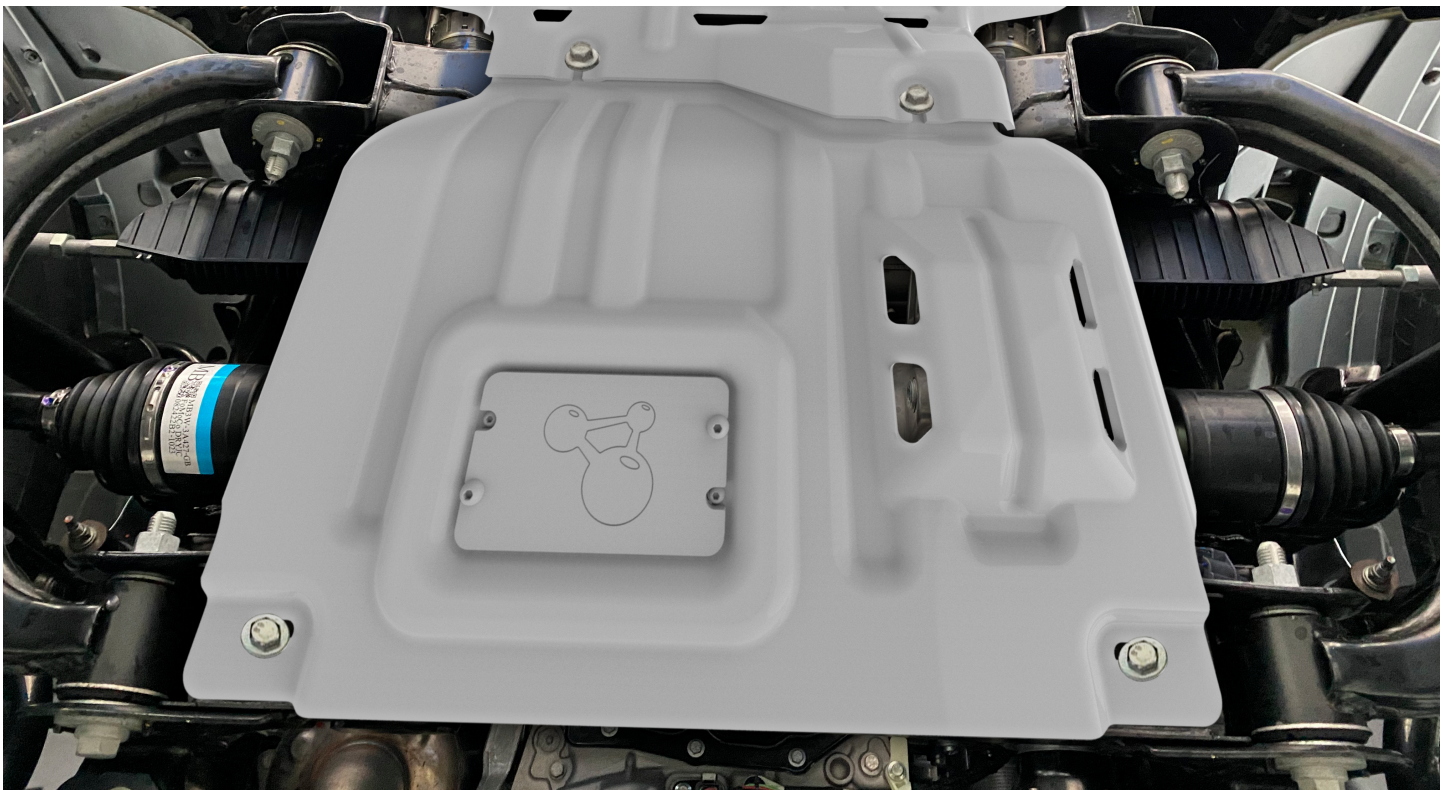


INSTALLATION MANUAL

PRODUCT: ENGINE SKID PLATE

APPLICATION: FORD RANGER 2.0L Bi-Turbo AT 4WD (2022-)
FORD EVEREST 2.0L Bi-Turbo AT 4WD (2022-)

PART NO: 2111.1885.1.3
2333.1885.1
2333.1885.1.6



CAUTION!

To reduce the risk of serious injury or damage to property: Before you start installing and using this product, read the full instructions, pay special attention to the conditions of safe use and recommendations for installation! When installing or maintaining this product, it is necessary to use protective goggles. Check the integrity of the structure and the moment the fastening is tightened every 250 miles (400 kms) of mileage. Do not use this product if there is damage to the structure or fasteners!

NOTICE

Skid plate is an additional protection, but it can not guarantee to protect against all possible damage in collisions. When driving, be careful of objects and terrain that may damage sensitive parts of the vehicle.

ENGINE SKID PLATE



Part number 2111.1885.1.3
2333.1885.1
2333.1885.1.6

Suited to vehicle: FORD RANGER 2.0L Bi-Turbo AT 4WD (2022-)
FORD EVEREST 2.0L Bi-Turbo AT 4WD (2022-)

Material: Steel / Aluminum



SAFETY NOTICE

- * The RIVAL engine skid plate is designed to complement the use and design of the specified vehicle under conditions specified by the vehicle manufacturer.
- * While driving the vehicle at any speed, collision with any other vehicle, animal or object must always be avoided.
- * Following any collision with any other vehicle, animal or object, the RIVAL engine skid plate and the vehicle must be inspected by a specialized or suitably qualified vehicle repairer for possible damage to the components and assemblies in order to confirm suitability for further use of the vehicle.
- * It is strongly recommended that you do not operate a vehicle with a damaged engine skid plate or its components. In the case of damage, please contact the nearest RIVAL dealer. Vehicle, or where the skid plate has been damaged, is extremely dangerous and must be avoided at all cost.

INSTALLATION NOTICE

- * The RIVAL engine skid plate must be mounted and affixed to the vehicle according to this installation manual.
- * Personal safety during the installation process must be adhered to at all times.
- * Do not install this skid plate on vehicle models other than those allowed in this manual.
- * Estimated time for installation: 1 hour.

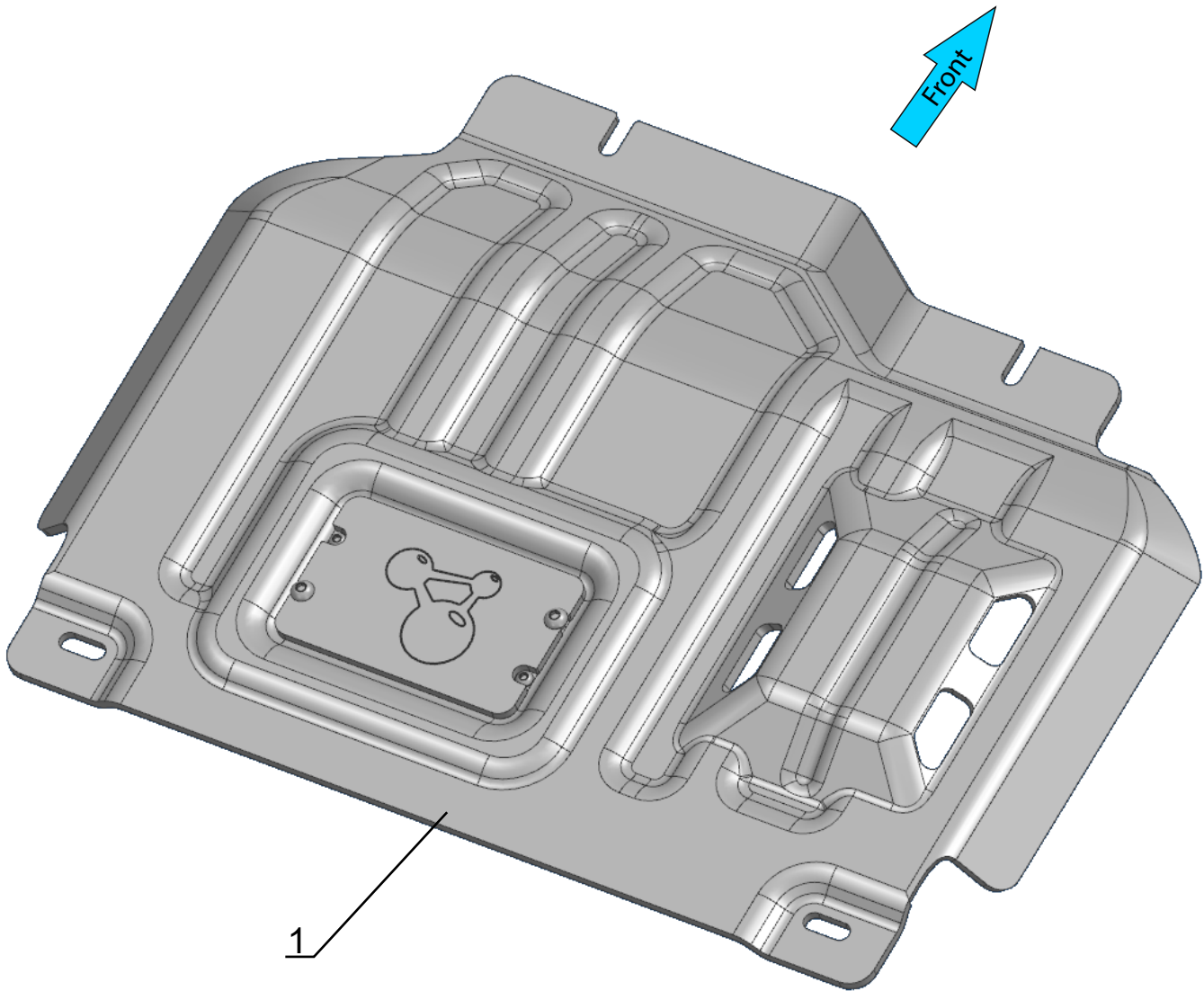
REQUIRED TOOLS

- * Basic tool kit
- * Torque wrench

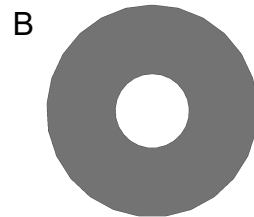
TORQUE SETTING

- * M10 - 47 H·m (34.7 lb/ft)

PARTS LISTING



1. Engine skid plate.....Qty 1



A. Bolt M10x25.....Qty 4
B. Washer 10.....Qty 4

INSTALLATION PROCEDURE



***If equipped, remove the factory skid plate or any other aftermarket skid plate.**

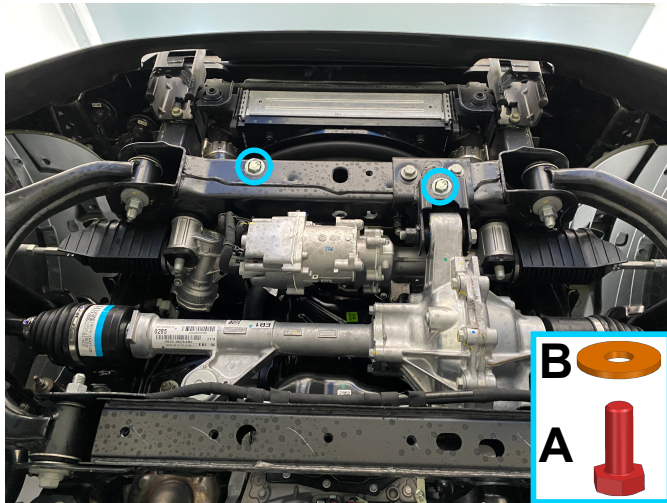


Fig. 1

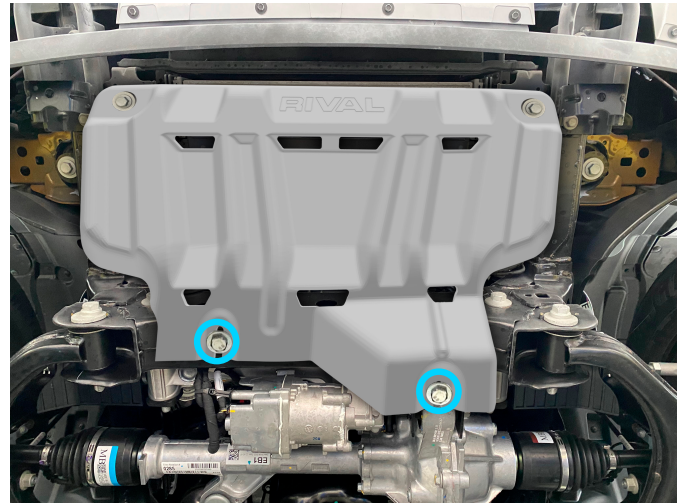


Fig. 2

1. Attach bolts M10x25 (item A) and washers 10 (item B), as shown in fig.1.

***Do not tighten yet.**

****If the vehicle has radiator skid plate, loosen the rear bolts of radiator skid plate or bolts of RIVAL radiator skid plate 2111.1884.1.3 / 2333.1884.1 / 2333.1884.1.6 (fig.2).**

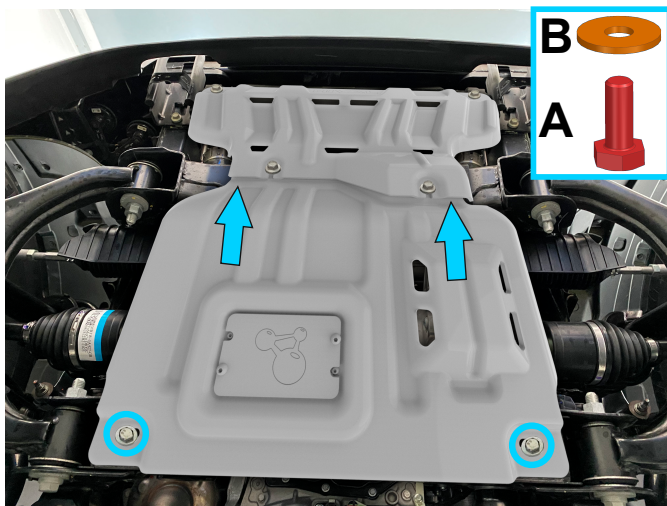


Fig. 3

2. Put the front part of engine skid plate (item 1) on installed bolts M10x25 and washers 10 from step 1 or above radiator skid plate or RIVAL radiator skid plate 2111.1884.1.3 / 2333.1884.1 / 2333.1884.1.6 on installed bolts. Fix the rear part of engine skid plate using bolts M10x25 (item A) and washers 10 (item B), as shown in fig.3.

***Tighten hardware after that.**

Before operating a vehicle fitted with RIVAL Skid Plate:

- make sure all fittings are tightened;
- ensure the integrity of the structure and its components.