

INSTALLATION MANUAL

PRODUCT: REAR BUMPER
MODEL: VOLKSWAGEN AMAROK (2010-2016)
VOLKSWAGEN AMAROK (2016-2021)
PART NO: 2D.5806.1-NL



CAUTION!

To reduce the risk of serious injury or damage, please read and understand all instructions and procedures before attempting to install or use this product.
Safety glasses must be worn at all times during installation or maintenance of this product.
Ensure all mounting bolts are tensioned after 1000 kms and periodically there after.

NOTICE

Whilst the bumper adds additional protection to your vehicle, precautionary measures still need to be taken to avoid damage.
Always drive to the conditions and your surroundings.

REAR BUMPER

| | |
|--------------------|---|
| Item: | 2D.5806.1-NL |
| Make: | Volkswagen Amarok |
| Model: | 2010-2016(V-2,0 TDI) 2016-2021(V-2,0 TDI; V-3,0 TDI) |
| Material: | Aluminum/Steel |
| Dimensions: | 1860x600x300 |
| Weight: | 31 kg |



SAFETY NOTICE

- * The RIVAL Bumper is designed to compliment the use and design of the specified vehicle under conditions specified by the car manufacturer.
- * While driving the vehicle at any speed, collision with any other vehicle, animal or object must always be avoided.
- * Following any collision with any other vehicle, animal or object, the RIVAL Bumper and the vehicle must be inspected by a specialized or suitably qualified vehicle repairer for possible damage to the components and assemblies in order to confirm suitability for further use of the vehicle.
- * It is strongly recommended that you do not operate a vehicle with a damaged bumper or its components. In the case of damage, please contact the nearest RIVAL dealer.
- * The operation of a vehicle where the bumper is not properly attached and fastened to the vehicle, or where the bumper has been damaged, is extremely dangerous and must be avoided at all cost.

INSTALLATION NOTICE

- * The RIVAL Bumper must be mounted and affixed to the vehicle according to the installation manual provided by an authorized RIVAL dealer or Motor dealer or by a special vehicle repairer or fitment center.
- * Personal safety during the installation process must be adhered to at all times and the use of personal safety equipment is highly recommended.

REQUIRED TOOLS

- * Basic tool kit
- * Torque wrench
- * Screw driver

TORQUE SETTING

- * M6 - 9 Nm
- * M10 - 44 Nm
- * M12 - 77 Nm

IMPORTANT NOTE

If the REAR Bumper is to be colour coded it is the installers responsibility to check the fitment and alignment of the Bumper to the vehicle before painting is done. It is the painters responsibility to ensure that the Bumper is correctly prepared and high filled to achieve a quality finish. RIVAL is not liable for any costs associated with colour coding, or fitment issues post colour coding.

*TOW BAR INSTALLATION

The bumper design provides for installation of the American-style tow bar – square 2 (50.8 mm).

Maximum allowable vertical static load on the tow bar should be not more than 350 kg.

Maximum towing capacity:

| Unbraked towing capacity, kg: | Braked towing capacity, kg: |
|-------------------------------|-----------------------------|
| 750 | 3500 |

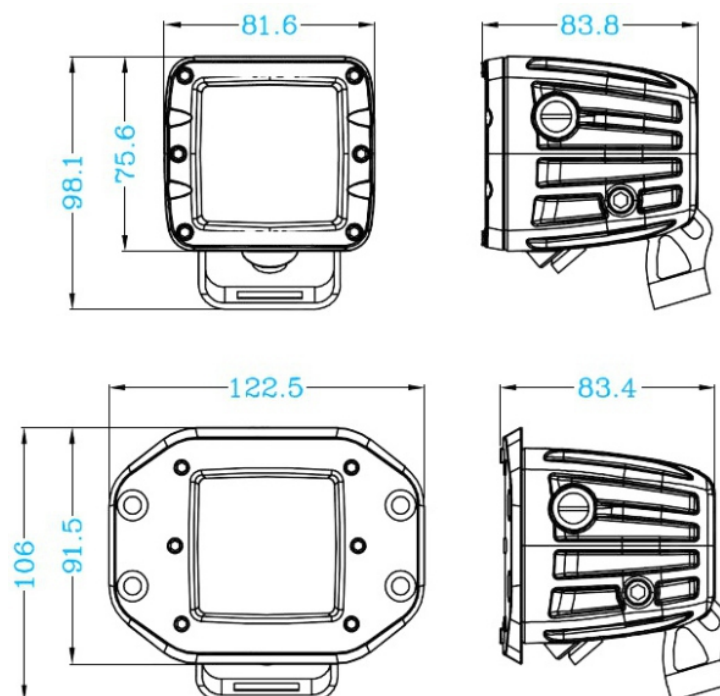
Caution!

Towing of the trailer which is incompliant with specified requirements may result in damage to tow bar or bumper.

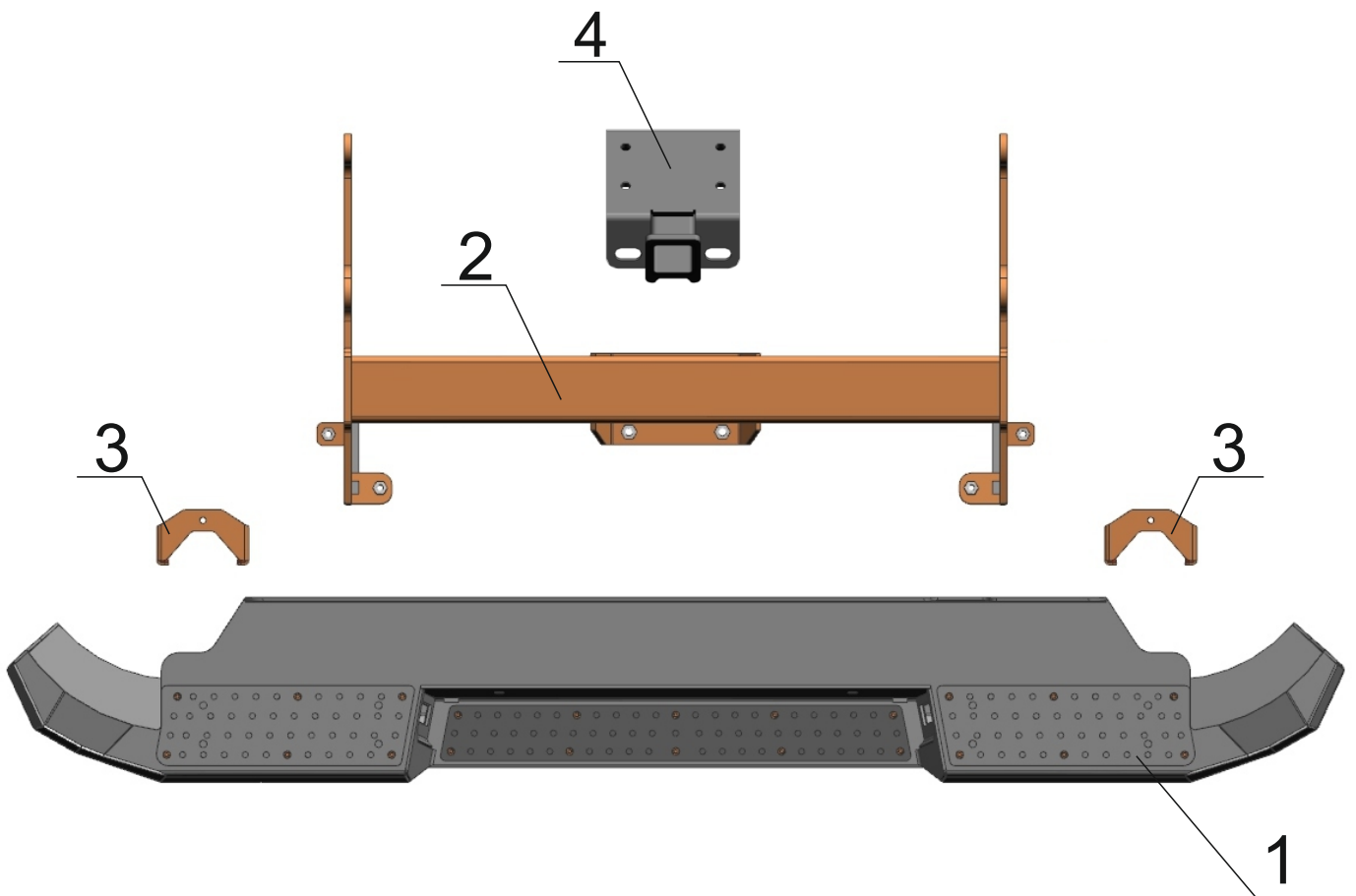
*LIGHTS

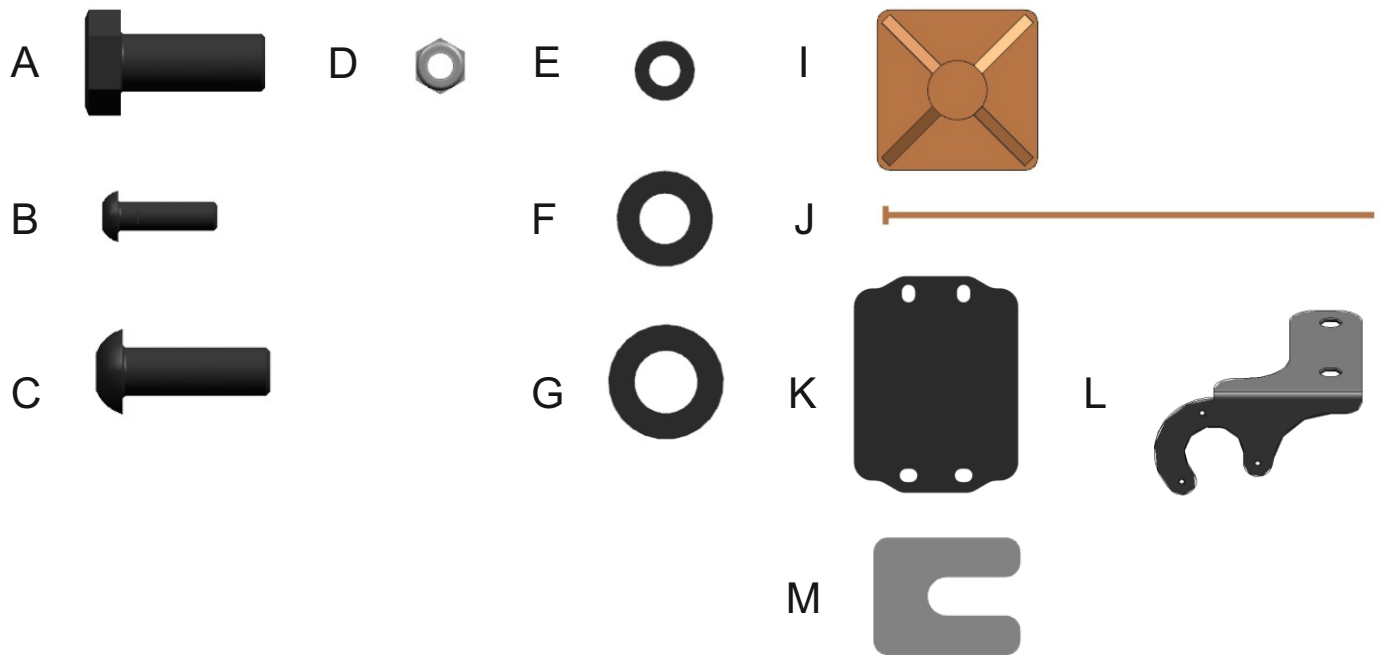
The bumper provides for the light mounting points.

Overall dimensions of the lights under installation:



- 1. Aluminum bumper body..... 1 pc.
- 2. Bumper bracket..... 1 pc.
- 3. Light bracket..... 2 pc.
- 4. Tow bar bracket..... 1 pc.





| | |
|---|----------|
| A. Bolt M12x40x1,25 (Preinstalled, as travel hardware, in bumper bracket (pos.2) and aluminum bumper body (pos.1))..... | 4 pc. |
| B. Screw M6x20 with a cup-shaped head..... | 8 pc. |
| C. Screw M10x30 with a cup-shaped head..... | 4 pc. |
| D. Nut M6..... | 8 pc. |
| E. Washer 6..... | 8 pc. |
| F. Washer 10..... | 8 pc. |
| G. Washer 12(Preinstalled, as travel hardware, in bumper bracket (pos.2) and aluminum bumper body (pos.1))..... | 8 pc. |
| H. Double-faced tape (black)..... | 0,05 pc. |
| I. Self-adhesive pad..... | 4 pc. |
| J. Plastic clamp..... | 4 pc. |
| K. Lamp plug..... | 2 pc. |
| L. Tow bar socket bracket..... | 1 pc. |
| M. Adjusting plate 2mm..... | 8 pc. |

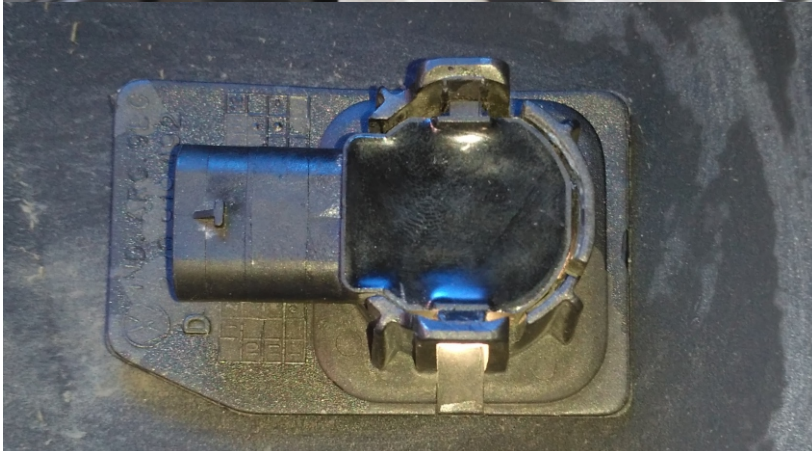


1. Unscrew tension bolts of the standard bumper to the left and right of the vehicle frame.
Dismantle the bumper.



***Paragraphs 2 and 3 for vehicles with rear park system:**

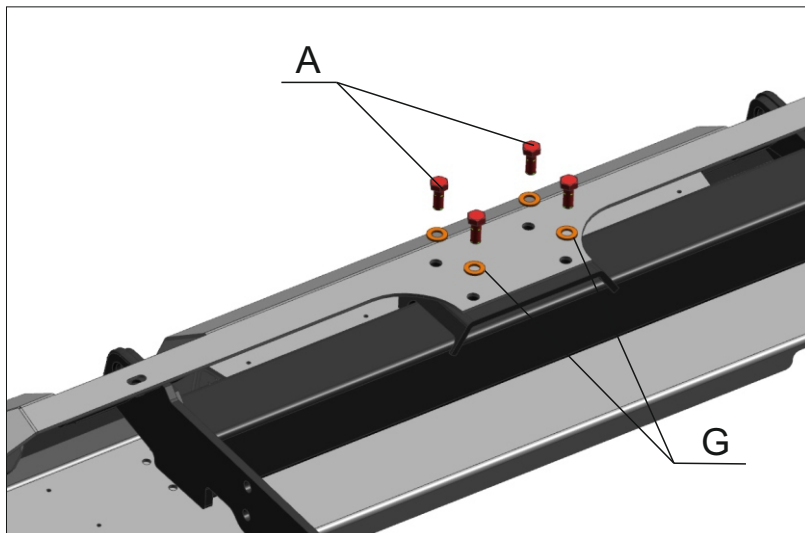
2. Remove gages from the bumper and detach the connectors.
Remove wiring from the bumper.



3. Where necessary, knock out the rear park system covers on the bumper fascia and attaché the rear park system clumper to the bumper fascia using a double-sided tape.



4. Remove license plate lights and install them to RIVAL bumper.



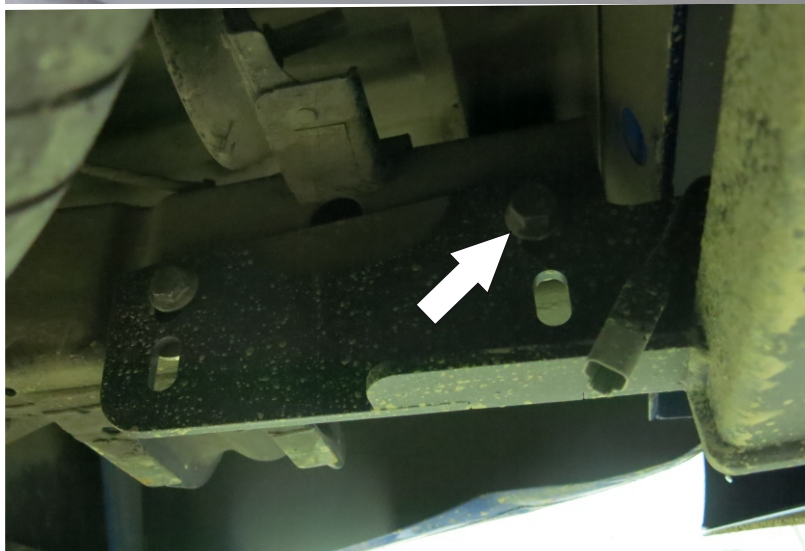
5. Unscrew bolts M12x1,25x40 (pos.A) and washers 12 (pos.G), preinstalled as travel hardware, in bumper bracket (pos.2) and aluminum bumper body (pos.1). Set aside to reuse later on.



6. Install lights (5) onto the brackets (3). Align position of the lights (5) and tighten screw joints



7. Install lights (5) and brackets (3) into the bumper facing (1) using screws M6x20 (B) and washers 6 (E). Adjust position of the lights.



8. Install the bumper bracket (2) into the vehicle frame using standard tension bolts of the bumper by placing adjusting plates (M) between bracket (2) and side members.



9. Install bumper facing (1) onto the bracket (2) using screws M10x30 (C) and washers 10 (F).



10. Install the socket bracket (L) onto the tow bar bracket (4).



11. Install the tow bar bracket (4) onto the vehicle. Secure it using bolts M12x40 (A) and washers M12 (G). Tighten all screw joints.

Before operating the vehicle with RIVAL bumper:

- Make sure that all screw joints are tightened;***
- Check connecting wires of the fog lamps.***

