

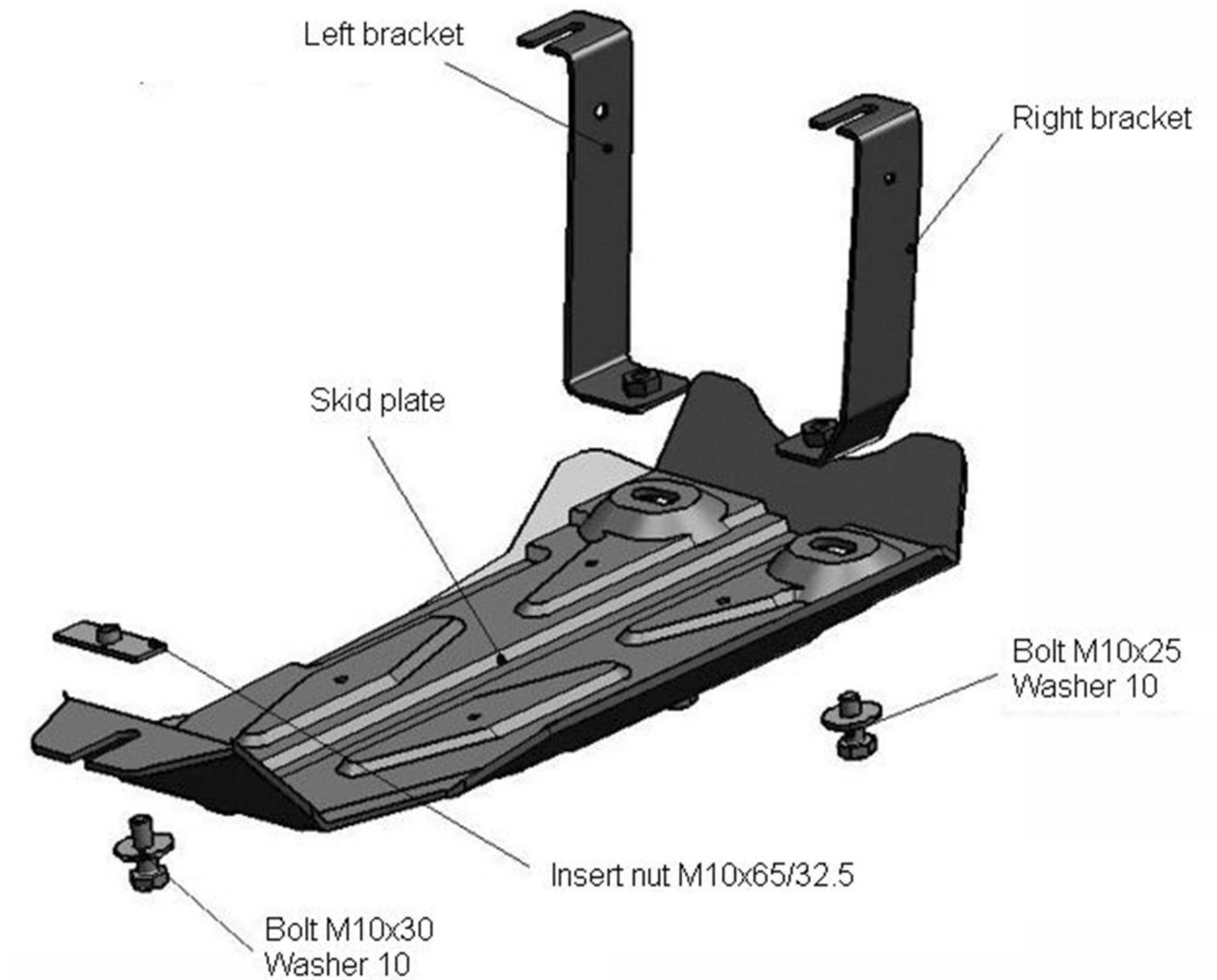
\*For more info about compatibility with other models  
please see the sticker on the skid plate

## RENAULT DUSTER / NISSAN TERRANO

No.:	4719.1 Differential
	4WD
Year:	2011-2015; 2015- / 2014-2016; 2016-
Engine:	1.6; 2.0; 1.5dCi / 1.6; 2.0
Transmission:	All

## FITTING KIT

1. Bolt M10x25.....	2 pc
2. Bolt M10x30.....	1 pc
3. Washer 10.....	3 pc
4. Insert nut M10x65/32.5.....	1 pc
5. Left bracket.....	1 pc
6. Right bracket.....	1 pc



## INSTALLATION INSTRUCTIONS

1. Place insert nut M10x65/32.5 above aperture in rear bar, then screw bolt M10x30 into it.
2. Screw 2 bolts M8 out of rear fittings of fuel tanks, and place brackets on them.
3. Place rear end of skid plate on mounted bolt M10x30, then fix its front end to mounted bracket with bolts M10x25.
4. Tighten all screws (50 Nm for M10, 30 Nm for M8, 10 Nm for M6). Do not use pneumatic or power tools to tighten.

**IMPORTANT:** Skid Plate installations should only be done by a qualified person and it is the responsibility of this person to ensure correct fitment.



[WWW.RIVAL4X4.COM](http://WWW.RIVAL4X4.COM)