

Toyota Hilux





TAILGATE STRUT KIT Installation Instructions

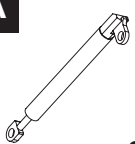
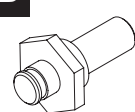
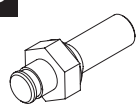


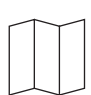


Model year: 2007 - 2015

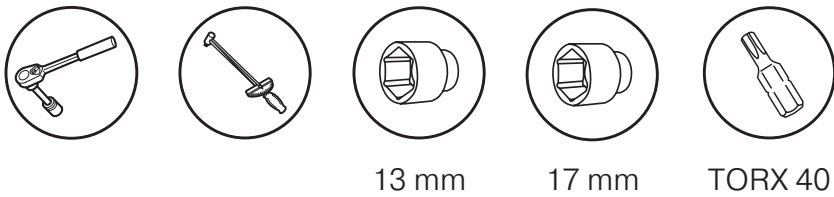
Part No.: 2AB.ST.5704.1

Weight:  1 kg

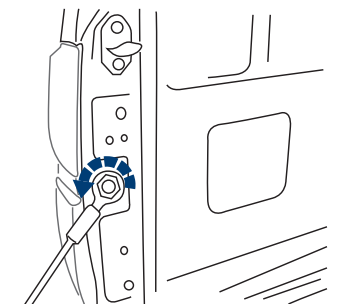
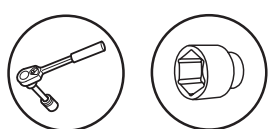
Installation time:  30 min

A  x2	B  x2	C  x2	D  x2	E  x4
F  Installation Instructions				


Required Tools



1

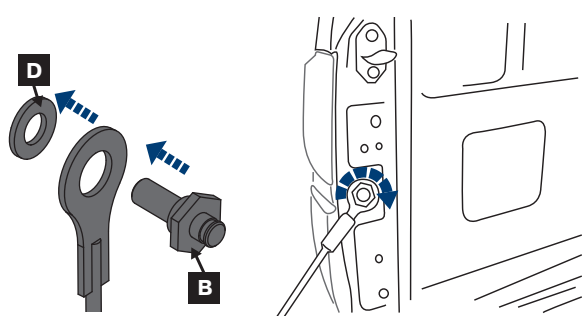
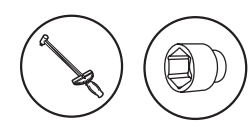



17 mm




LSH=RHS

2

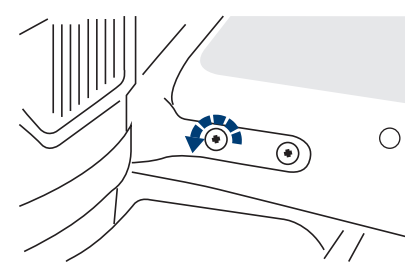




20Hm 17 mm




LSH=RHS

3

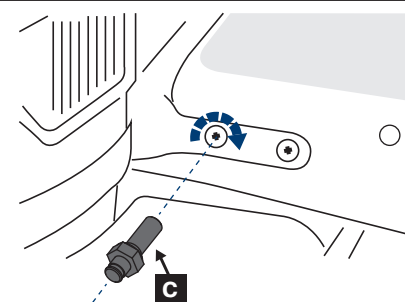




TORX 40




LSH=RHS

4

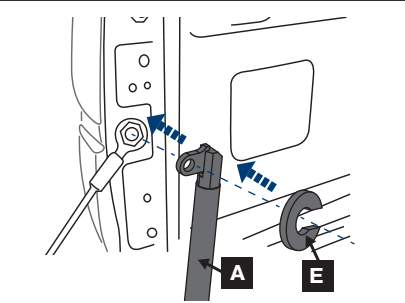




20Hm 13 mm




LSH=RHS

5

20Hm 17 mm



LSH=RHS