

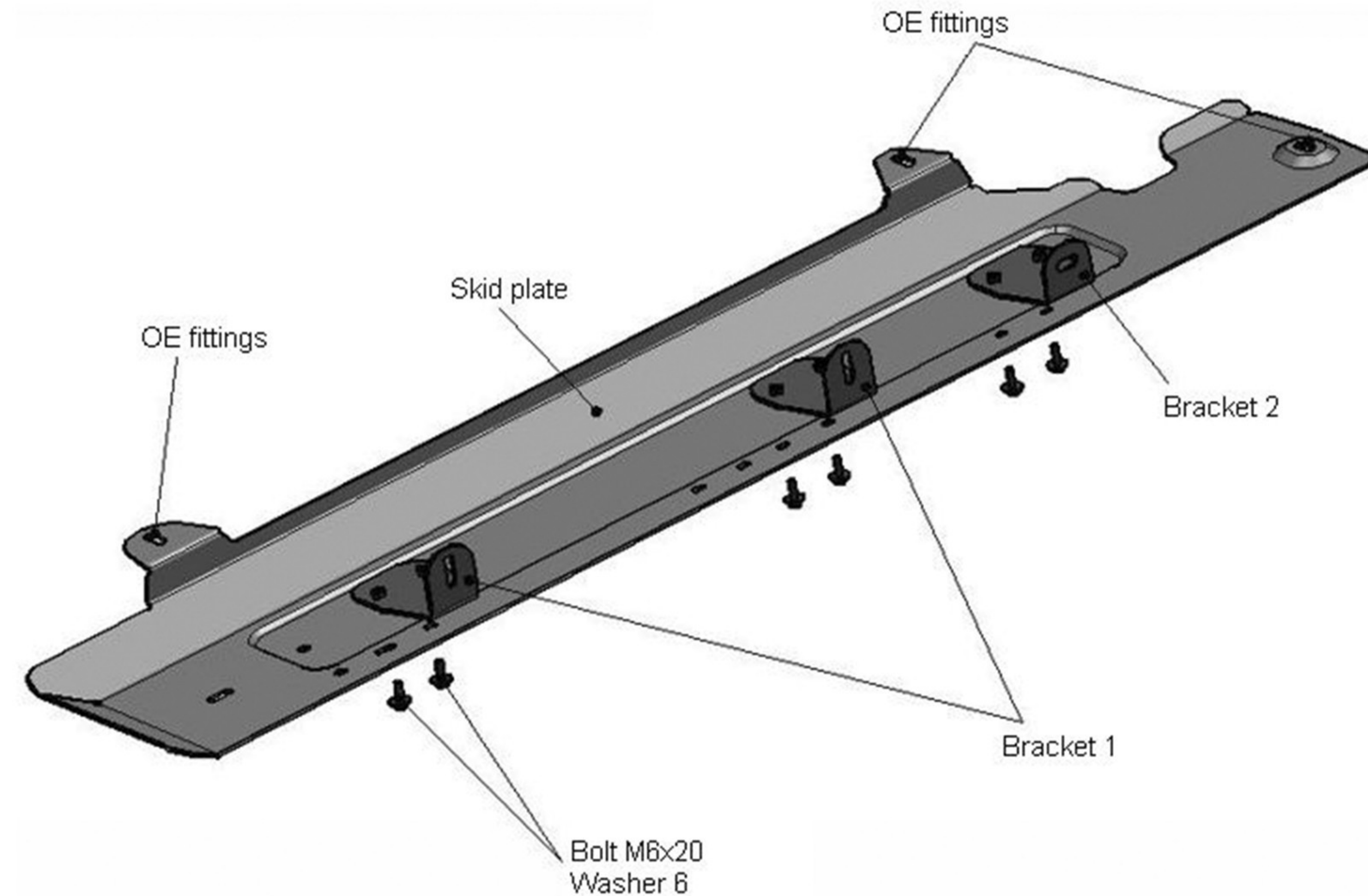
*For more info about compatibility with other models
please see the sticker on the skid plate

RENAULT DUSTER / NISSAN TERRANO

No.: 4716.1 Fuel pipes
2WD; 4WD
Year: 2011-2015; 2015- / 2014-2016
Engine: 1.6; 2.0; 1.5dCi / 1.6; 2.0
Transmission: MT / AT

FITTING KIT

1. Bolt M6x20.....	6 pc
2. Washer 6.....	6 pc
3. Bracket 1.....	2 pc
4. Bracket 2.....	1 pc



INSTALLATION INSTRUCTIONS

1. Remove OE guards.
2. **Renault Duster 2011-2015 / Nissan Terrano:** fix brackets 1 and 2 to OE brads with OE fittings. Do not tighten yet.
Renault Duster 2015-: fix brackets 1 to OE brads with OE fittings. Do not tighten yet.
3. Fix front end of skid plate to OE threaded aperture with OE fittings. Fix right side of skid plate to mounted brackets with bolts M6x20. Fix left side to OE brads with OE fittings.
4. Tighten all screws (50 Nm for M10, 30 Nm for M8, 10 Nm for M6). Do not use pneumatic or power tools to tighten.



WWW.RIVAL4X4.COM