

# INSTALLATION MANUAL

PRODUCT: REAR BUMPER  
MODEL: FORD RANGER (2012-2015)  
FORD RANGER (2015-2022)  
PART NO: 2D.1811.1-NL



## CAUTION!

To reduce the risk of serious injury or damage, please read and understand all instructions and procedures before attempting to install or use this product.  
Safety glasses must be worn at all times during installation or maintenance of this product.  
Ensure all mounting bolts are tensioned after 1000 kms and periodically there after.

## NOTICE

Whilst the bumper adds additional protection to your vehicle, precautionary measures still need to be taken to avoid damage.  
Always drive to the conditions and your surroundings.

## FORD RANGER REAR BUMPER

<b>Item:</b>	2D.1811.1-NL
<b>Make:</b>	Ford
<b>Model:</b>	Ranger
<b>Year of manufacture:</b>	2012-2015, 2015-2022
<b>Material:</b>	Aluminum/Steel
<b>Dimensions:</b>	1720x720x260
<b>Weight:</b>	54kg 56kg(with a set of lights)



## SAFETY NOTICE

- \* The bumper is designed for operation under conditions specified by the car manufacturer.
- \* During operation the events of large obstacles and objects encounter while driving.
- \* In case of the obstacle encounter please make sure that there is no damage to the components and assemblies of the vehicle and suitability of the bumper for further operation.
- \* Operation of the bumper or components hereof is not allowed. In case of damage to the bumper or components hereof please contact the nearest RIVAL dealer.
- \* It is not allowed to operate the bumper with loose fittings.
- \* It is necessary to perform regular inspection of design and fittings integrity, fittings tightening and lack of damage to wire insulation.

## INSTALLATION NOTICE

- \* The bumper should be mounted in strict compliance with this procedure in specialized service centers.
- \* During installation it is required to use personal protective equipment.
- \* Do not install this bumper onto the vehicle models other than those specified herein.

## REQUIRED TOOLS

- \* Basic tool kit
- \* Cross-recessed drives
- \* Torque wrench

## TORQUE SETTINGS

- \* M6 - 9 H·m, \* M10 - 44 H·m, \* M12 - 77 H·m.

## IMPORTANT NOTE

If the REAR Bumper is to be colour coded it is the installers responsibility to check the fitment and alignment of the Bumper to the vehicle before painting is done. It is the painters responsibility to ensure that the Bumper is correctly prepared and high filled to achieve a quality finish. RIVAL is not liable for any costs associated with colour coding, or fitment issues post colour coding.

## \*TOW BAR INSTALLATION

The bumper design provides for installation of the American-style tow bar – square 2 (50.8 mm).

Maximum allowable vertical static load on the tow bar should be not more than 350 kg.

Maximum towing capacity:

Unbraked towing capacity, kg:	Braked towing capacity, kg:
750	3500

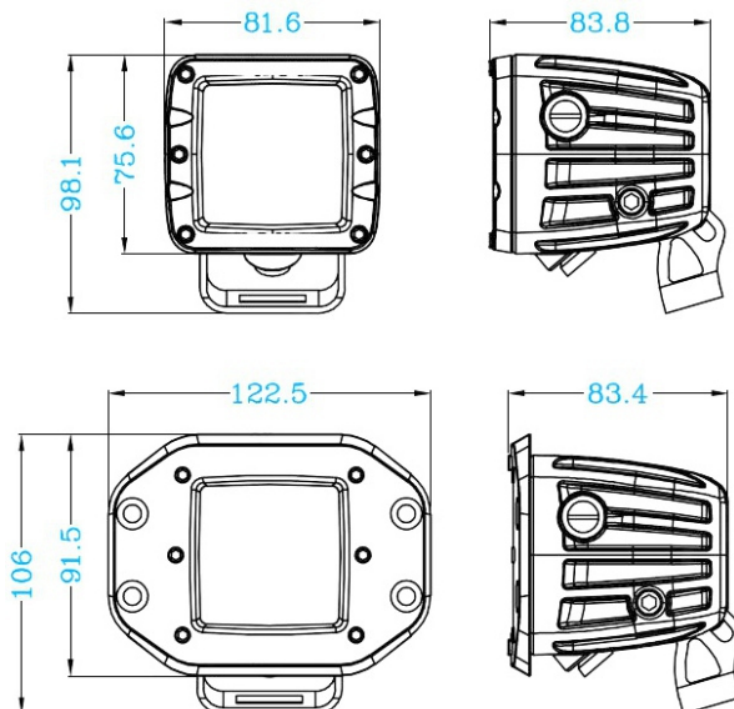
## Caution!

**Towing of the trailer which is incompliant with specified requirements may result in damage to tow bar or bumper.**

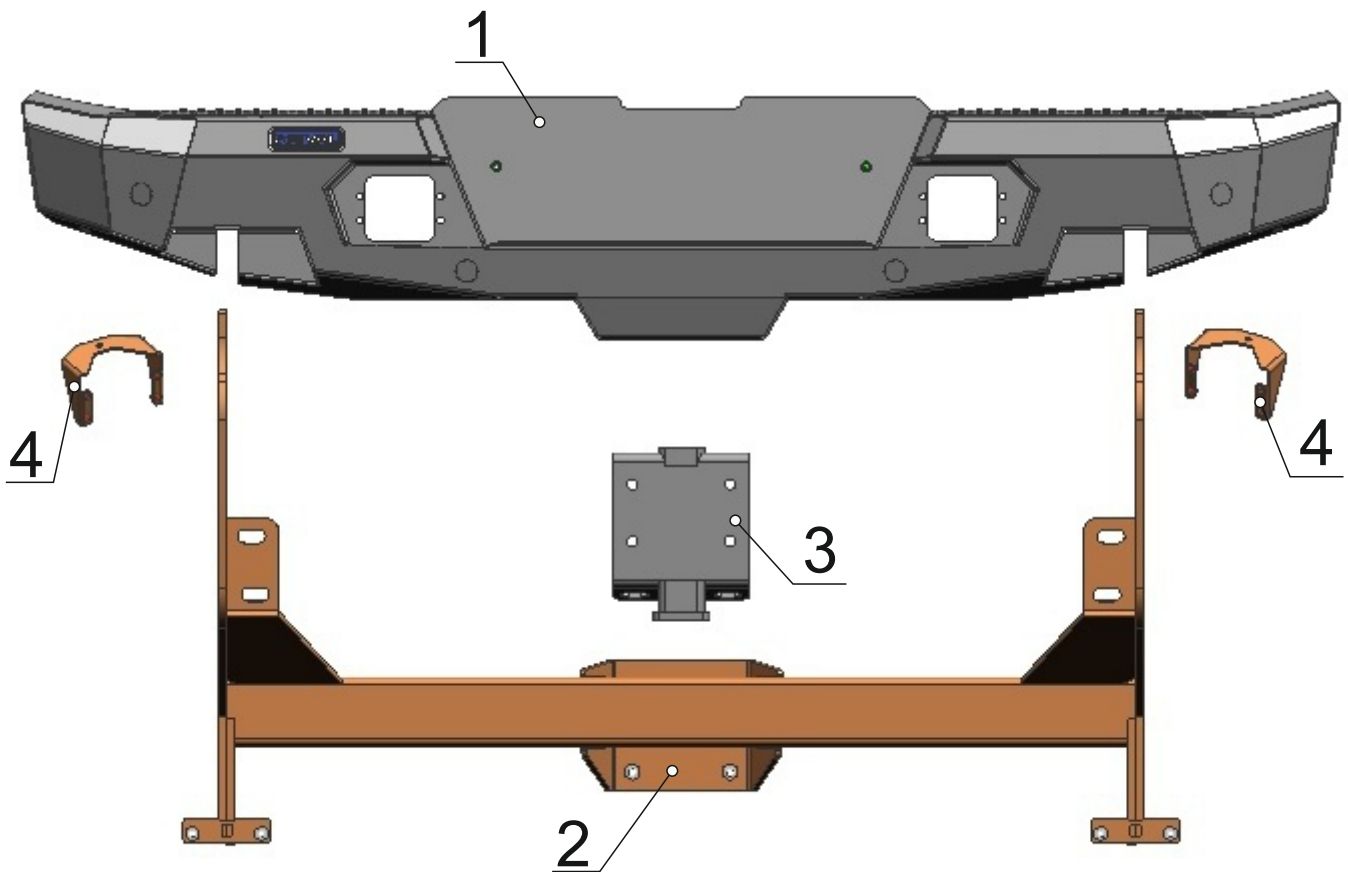
## \*LIGHTS

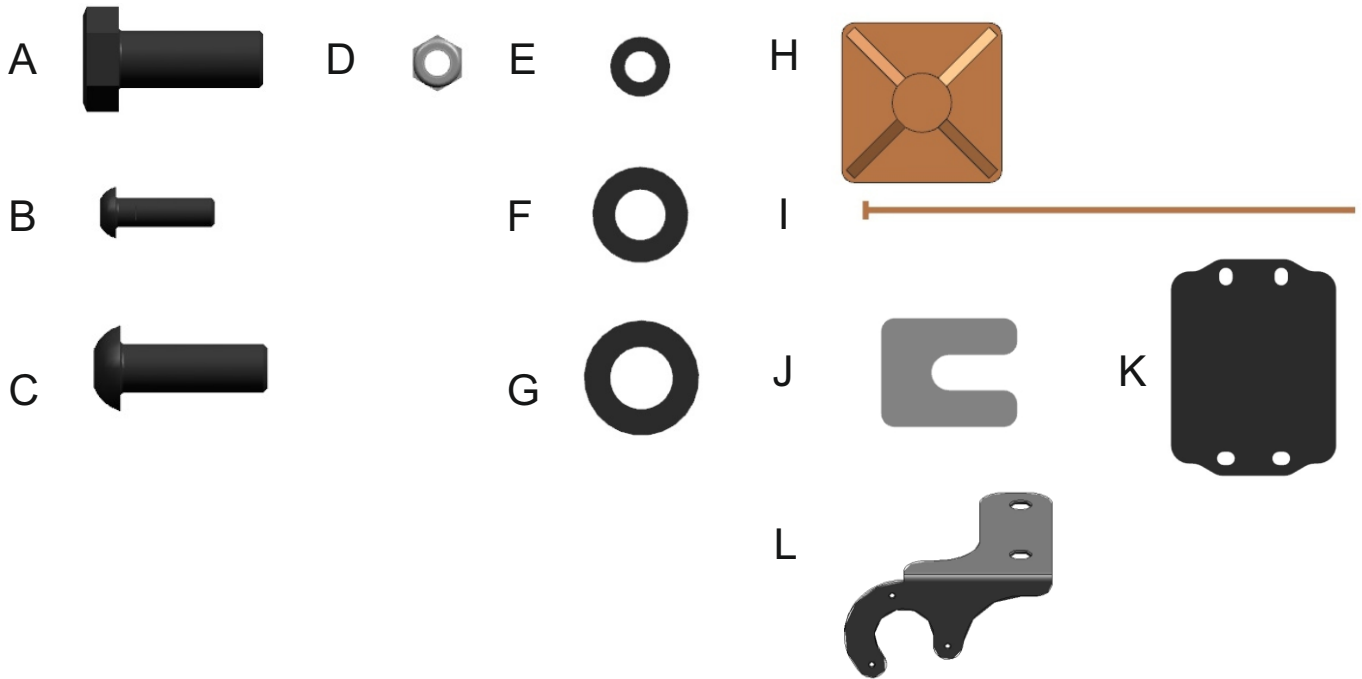
The bumper provides for the light mounting points.

Overall dimensions of the lights under installation:

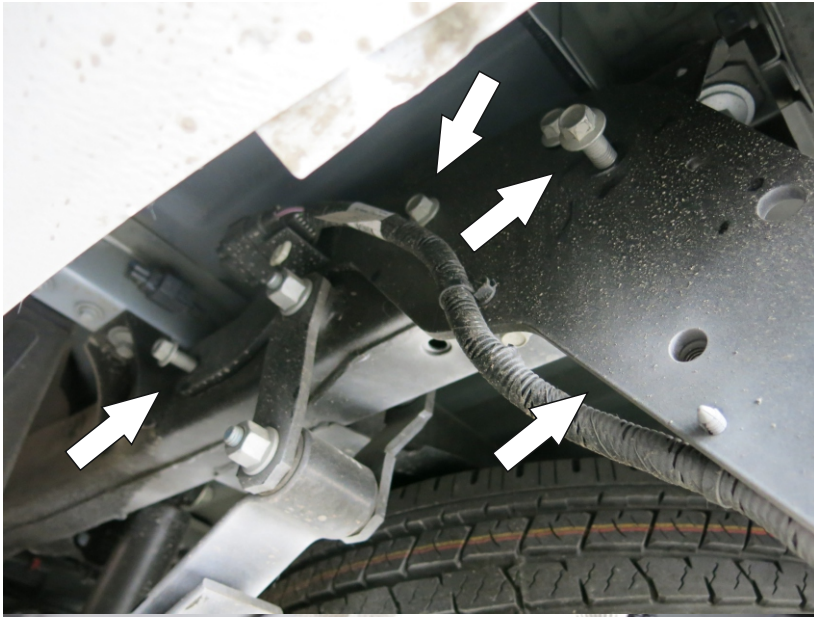


- 1. Aluminum bumper body.....1 pc.
- 2. Bumper bracket.....1 pc.
- 3. Tow bar square.....1 pc.
- 4. Light bracket.....2 pc.





A. Bolt M12x40x1,25.....	4 pc.
B. Screw M6x20 with a cup-shaped head.....	8 pc.
C. Screw M10x30 with a cup-shaped head.....	4 pc.
D. Nut M6.....	8 pc.
E. Washer 6.....	8 pc.
F. Washer 10.....	4 pc.
G. Washer 12.....	4 pc.
H. Adjustment shim.....	4 pc.
I. Plastic hose tie.....	4 pc.
J. Adjusting plate 2mm.....	4 pc.
K. Lamp cover.....	2 pc.
L. Socket bracket.....	1 pc.



1. Unscrew tension bolts of the standard under-run bar the left and right of the vehicle frame. Dismantle the bumper.



**\*Paragraphs 2 and 3 for vehicles with rear park system:**

2. Remove gages from the bumper and detach the connectors.

3. Remove wiring from the bumper.



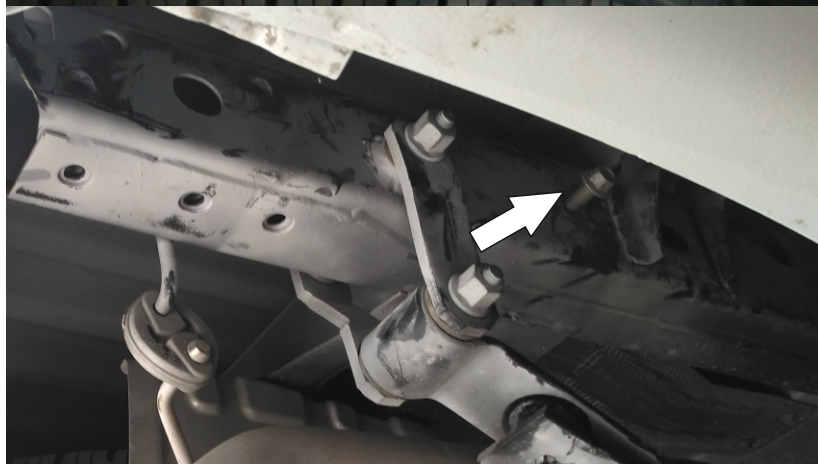
4. Install the lights onto the brackets (4). Align the position of lights and tighten screw joints.



5. Install lights and brackets (4) into the bumper facia using screws M6x20 (B) and washers 6 (E). Adjust the position of lights (5).



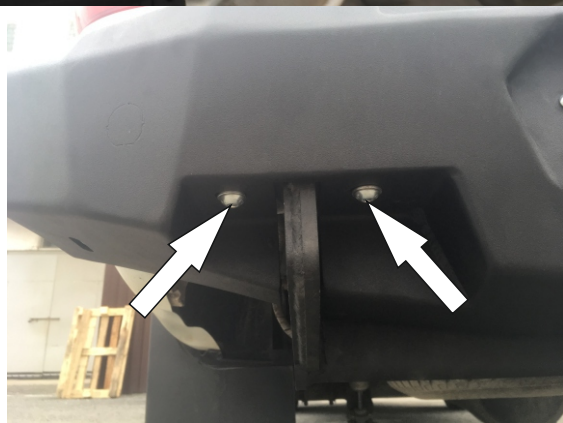
6. Unscrew self-tapping screws of the license plate lamps.



7. Install two standard tension bolts of the bumper far away from the bumper. Screw in with several revs.



8. Install the bracket (2) onto completed bolts. Secure it using standard tension bolts of the bumper.



9. Install the bumper facia (1) onto the bracket (2) and secure it in the towing eye area using screws M10x30 (C) and washers 10 (F).



10. Install the tow bar square using bolts M12x40 (A) and washers 12 (G) on two sides.  
Tighten all screw joints.



***Before operating the vehicle with RIVAL bumper:***

- make sure that all screw joints are tightened;***
- check connecting wires of the fog lamps.***

