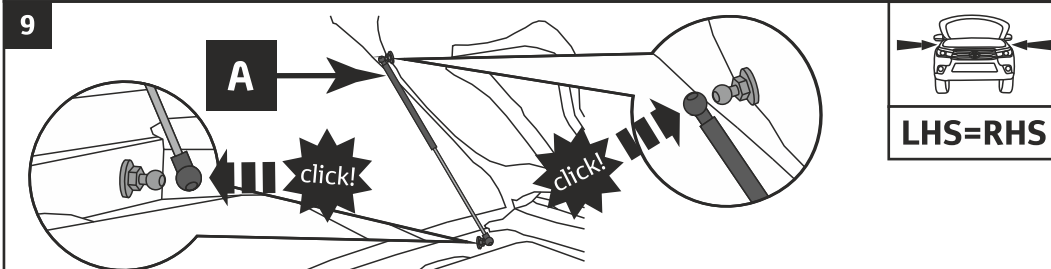
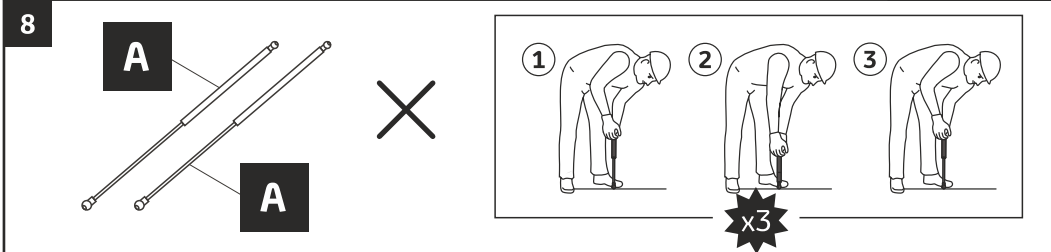
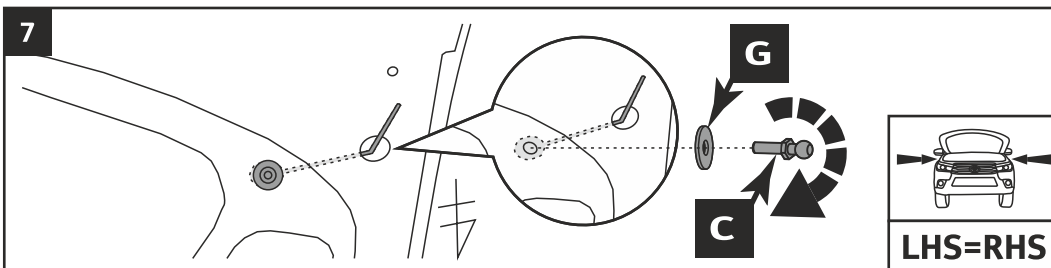


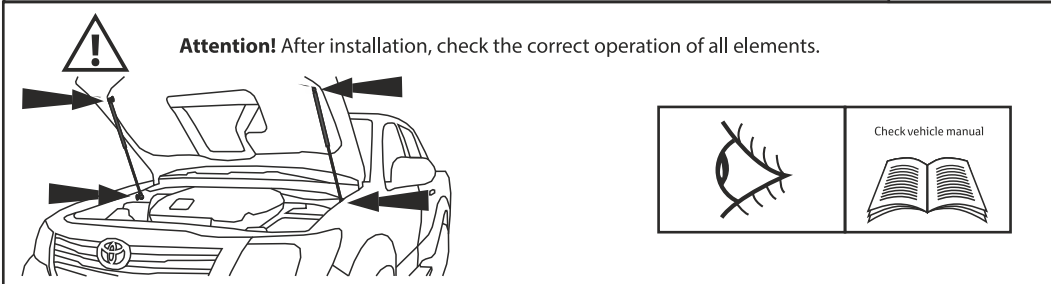
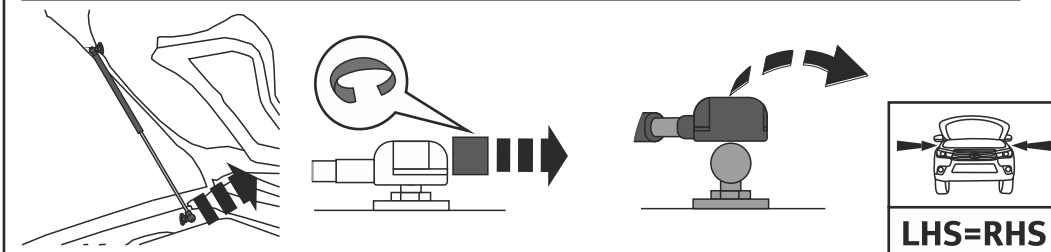
# Toyota Hilux

## HOOD GAS STRUTS

Installation instructions


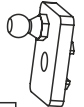


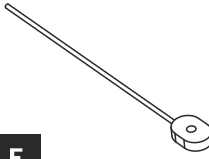





**⚠ Attention!** If it's needed to remove installed gas strut, disassemble how shown on the picture. Operate with the hood being totally open.



Model year:	2005-2015
Stock No.:	2A.ST.5704.1
Compatibility:	all types
⚖ Weight:	1 kg
🕒 Installation time:	30 min

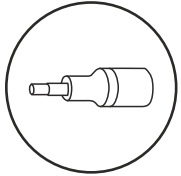
Issue #1 from 07.12.2015

<b>A</b>		2x	<b>B LHS</b>		1x	<b>C</b>		3x	<b>D</b>		1x
<b>E</b>		2x	<b>F</b>		1x	<b>G</b>		3x	<b>H</b>		1x

### Required tools



10 mm



HEX 4mm



### Attention!

Before installation of gas struts, open the hood and check that there is no additional equipment installed in engine bay which can block installation.

