

# INSTALLATION MANUAL

PRODUCT: FRONT BUMPER

MODEL: TOYOTA LAND CRUISER 150 (2017-on)

PART NO: 2D.5721.1-NL



## CAUTION!

To reduce the risk of serious injury or damage, please read and understand all instructions and procedures before attempting to install or use this product.  
Safety glasses must be worn at all times during installation or maintenance of this product.  
Ensure all mounting bolts are tensioned after 1000 kms and periodically there after.

## NOTICE

Whilst the bumper adds additional protection to your vehicle, precautionary measures still need to be taken to avoid damage.  
Always drive to the conditions and your surroundings.

**EAC** RU C-RU.MT40.B.00184

**ADR69 COMPATIBLE**

**AIR BAG COMPLIANT**

## FRONT BUMPER

<b>Part Number:</b>	2D.5721.1-NL
<b>Suited to vehicle:</b>	TOYOTA LAND CRUISER 150 2017-
<b>Material:</b>	Aluminum / Steel
<b>Dimensions:</b>	1922x718x614 mm
<b>Weight:</b>	55 kg
<b>Compatibility:</b>	RIVAL 5783.1.6 Underbody Armour



## SAFETY NOTICE

- \* The RIVAL Bumper is designed to compliment the use and design of the specified vehicle under conditions specified by the car manufacturer.
- \* While driving the vehicle at any speed, collision with any other vehicle, animal or object must always be avoided.
- \* Following any collision with any other vehicle, animal or object, the RIVAL Bumper and the vehicle must be inspected by a specialized or suitably qualified vehicle repairer for possible damage to the components and assemblies in order to confirm suitability for further use of the vehicle.
- \* It is strongly recommended that you do not operate a vehicle with a damaged bumper or its components. In the case of damage, please contact the nearest RIVAL dealer.
- \* The operation of a vehicle where the bumper is not properly attached and fastened to the vehicle, or where the bumper has been damaged, is extremely dangerous and must be avoided at all cost.
- \* It is recommended that you carry out regular inspections of all the bumper elements such as all bolts, wires, connectors.

## INSTALLATION NOTICE

- \* The RIVAL Bumper must be mounted and affixed to the vehicle according to this installation manual.
- \* Personal safety during the installation process must be adhered to at all times and the use of personal safety equipment is highly recommended.

## REQUIRED TOOLS

- \* Basic tool kit
- \* Electric drill
- \* Angle grinder
- \* Drill set

- \* Torque wrench
- \* Box knife
- \* Marker

## TORQUE SETTING

- \* M6 9 Nm
- \* M10 44 Nm
- \* M12 - 77 Nm

### \*ADR69 AND AIR BAG SYSTEM

The RIVAL Bumper has been tested and certified to be compatible with ADR69 and will not affect the operation of the Air bag System on this vehicle.

This product or mounting brackets must not be modified in any way, and must be fitted in accordance with the installation instructions.

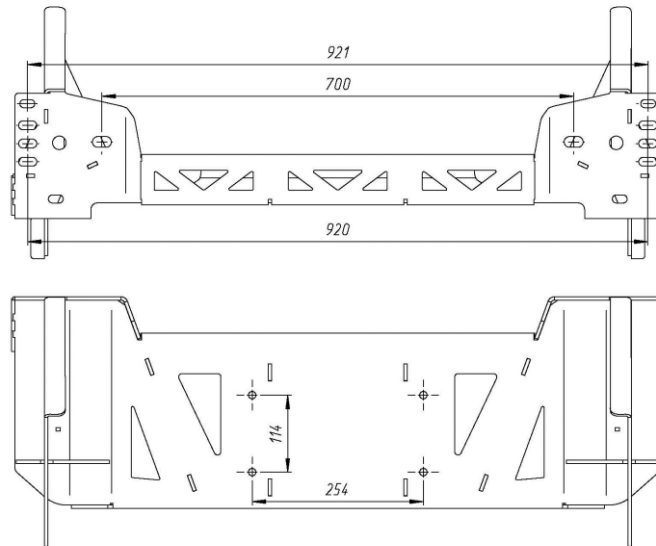
## IMPORTANT NOTE

If the FRONT Bumper is to be colour coded it is the installers responsibility to check the fitment and alignment of the Bumper to the vehicle before painting is done. It is the painters responsibility to ensure that the Bumper is correctly prepared and high filled to achieve a quality finish. RIVAL is not liable for any costs associated with colour coding, or fitment issues post colour coding.

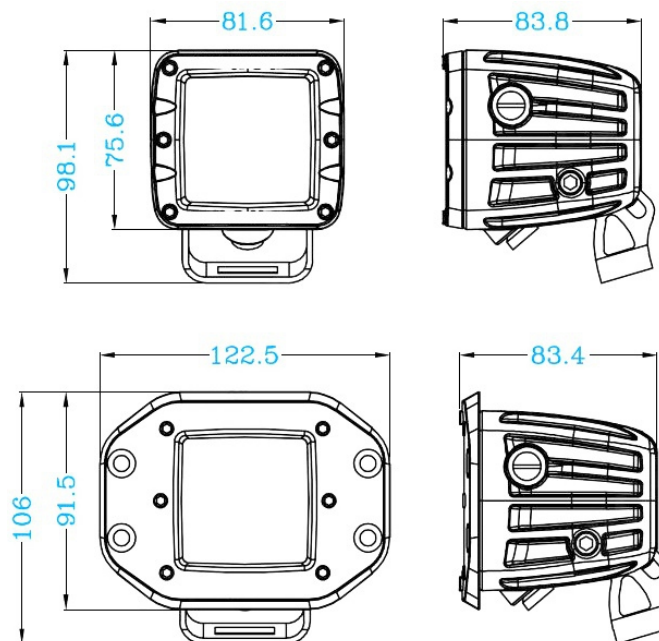
## \*WINCH INSTALLATION

A winch with a pull capacity of up to 12000 lb can be installed with the RIVAL Bumper. It is not advisable to exceed this pulling capacity since damage, injury or death may occur where the 12000lb recommended capacity is exceeded. There is a special license plate holder supplied with the bumper which will provide access to the winch.

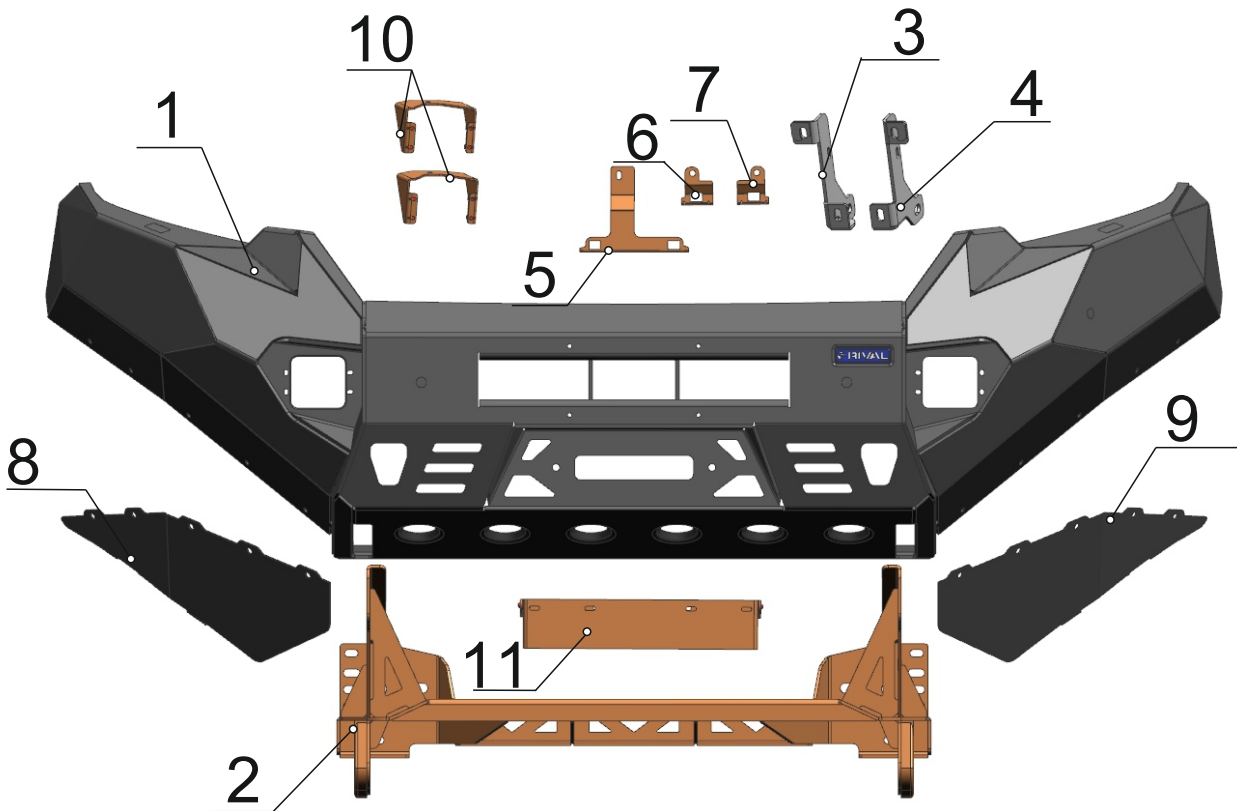
### Winch measurements:



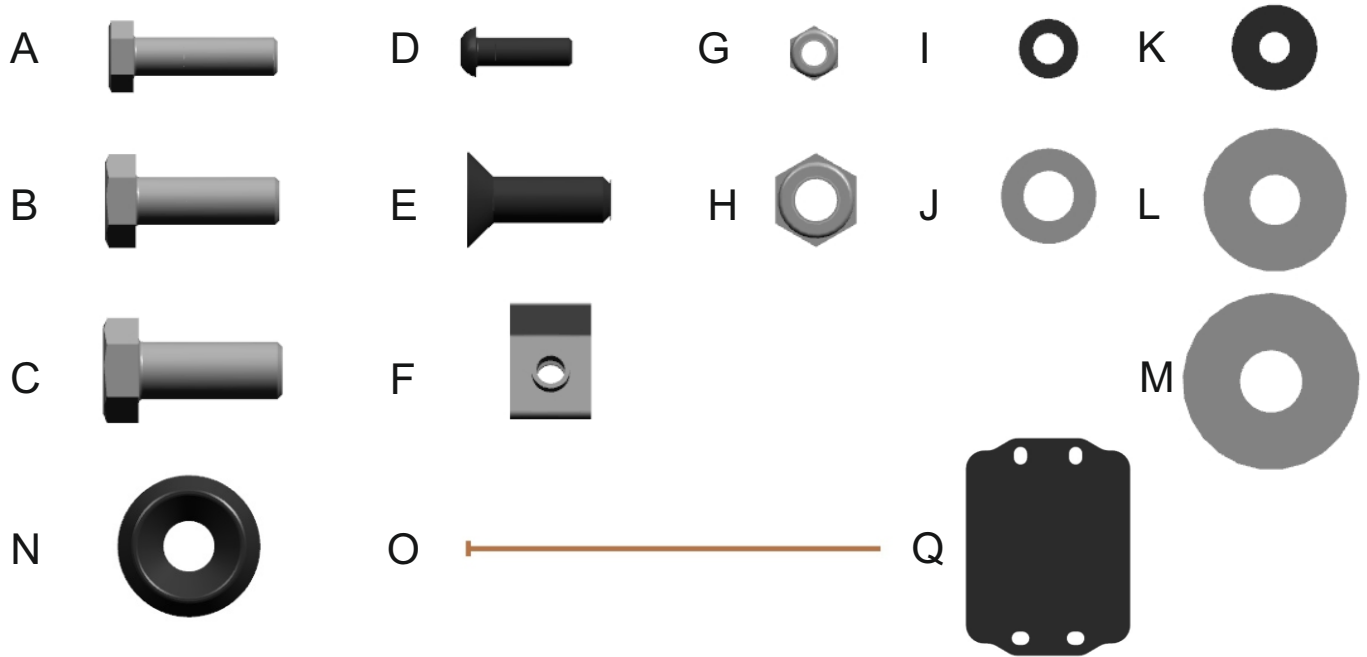
### Compatible with LED size below:



- 1. Aluminum bumper body.....1 pc.
- 2. Winch bracket.....1 pc.
- 3. Support bracket right.....1 pc.
- 4. Support bracket left.....1 pc.
- 5. Radiator grille bracket.....1 pc.
- 6. Grille bracket right.....1 pc.
- 7. Grille bracket left.....1 pc.
- 8. Flap right.....1 pc.
- 9. Flap left.....1 pc.
- 10. LED bracket.....2 pc.
- 11. License plate.....1 pc.
- 12. LED (depending on the delivery).....2 pc.







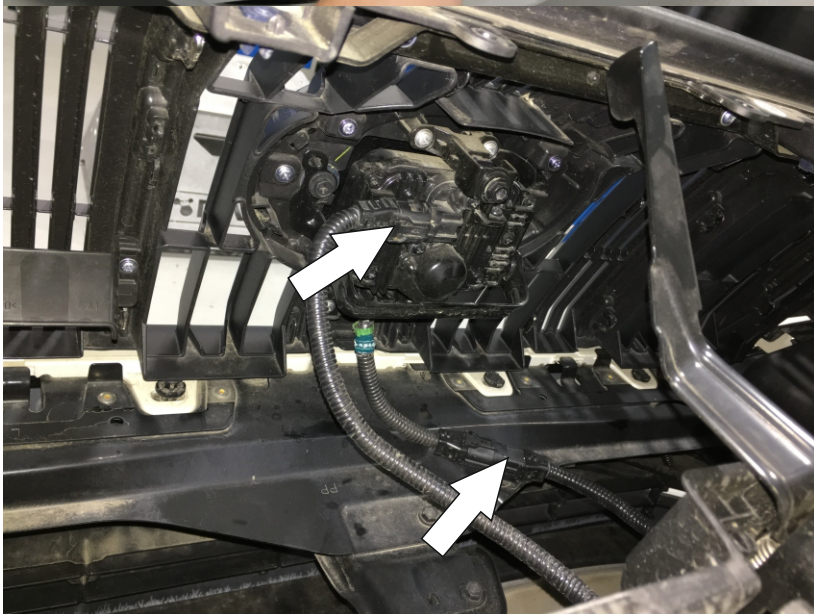
A. Bolt M8x30.....	2 pc.
B. Bolt M10x30.....	10 pc.
C. Bolt M12x30x1.25.....	2 pc.
D. Screw M6x20 round-head.....	26 pc.
E. Screw M10x30 countersunk-head.....	4 pc.
F. U-nut M6.....	16 pc.
G. Nut M6.....	2 pc.
H. Nut M10.....	14 pc.
I. Washer 6.....	10 pc.
J. Washer 10.....	8 pc.
K. Washer penny 6.....	6 pc.
L. Washer penny 10.....	18 pc.
M. Washer penny 12.....	2 pc.
N. Countersunk washer.....	4 pc.
O. Plastic clamp.....	10 pc.
P. Double-sided tape.....	0,16 m.
Q. Lamp plug.....	2 pc.



1. Open the hood.
2. Disconnect the negative battery terminal cable.
3. Remove the plastic patch piece. To do it, remove pop rivets. Keep the fasteners for future mountings.

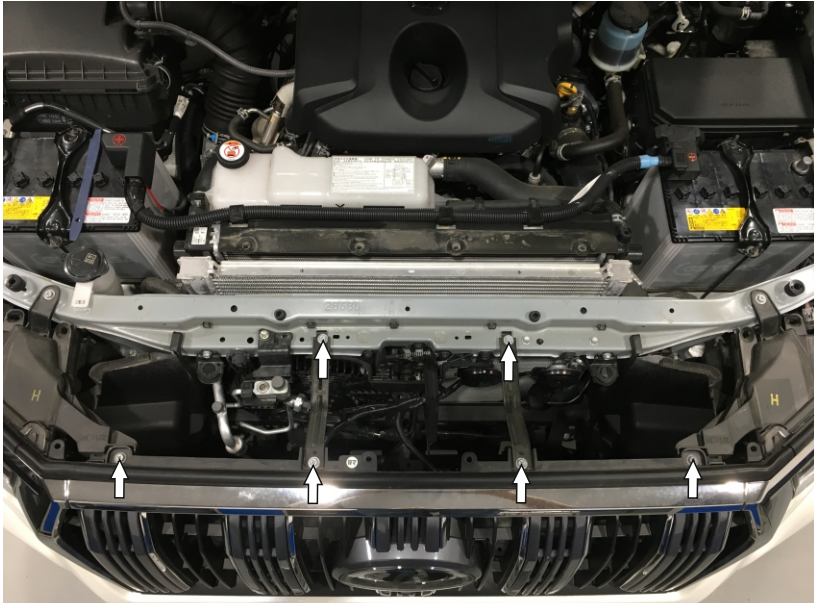


4. Remove LED lights plastic covers.

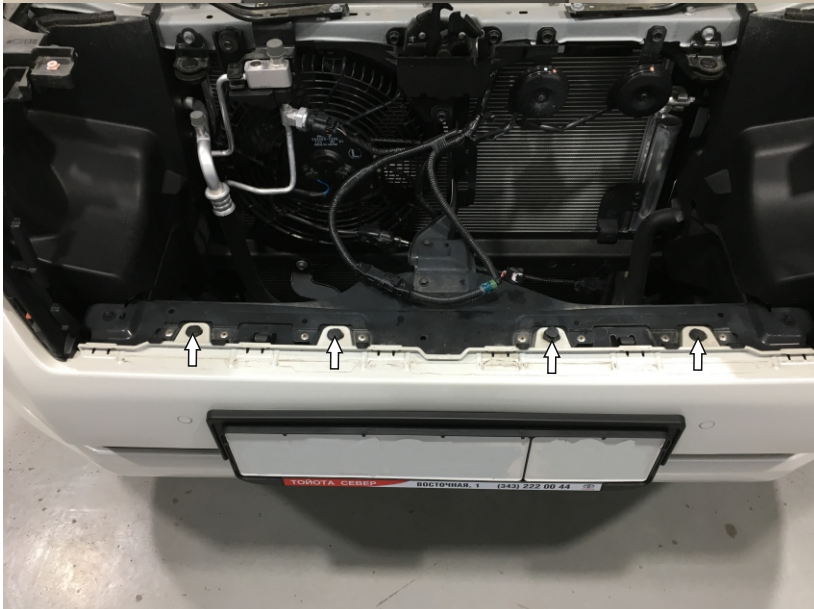


5. Disconnect camera mounted in radiator grille.





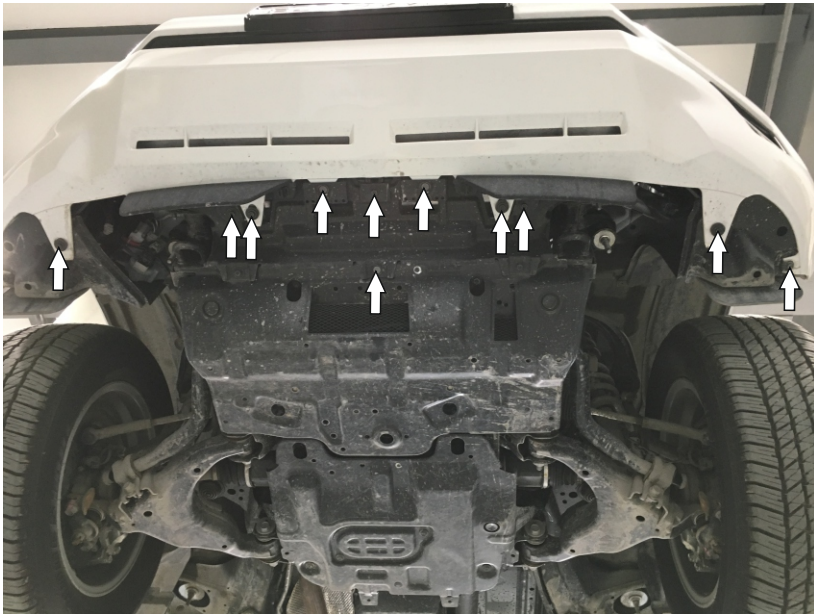
6. Screw out the screws which fix the radiator grill. Dismount the radiator grill by bending off plastic fixtures in the point of joint thereof with the bumper.



7. Screw out pop rivets which fix the bumper in the upper part, and remove the pop rivets.



8. Remove the pop rivets under the wheel arch.



9. Screw out the screws and pop rivets which fix the bumper in the lower part.



10. Disconnect lamps connectors.

Detach the pump from the washer bottle.



11. Remove the bumper. To do it, pull the bumper edge towards you and snap off latches. Move gradually from the wheel arch to the center of the car.





12. Remove damper.



13. Screw out 3 nuts each side and dismount bar.



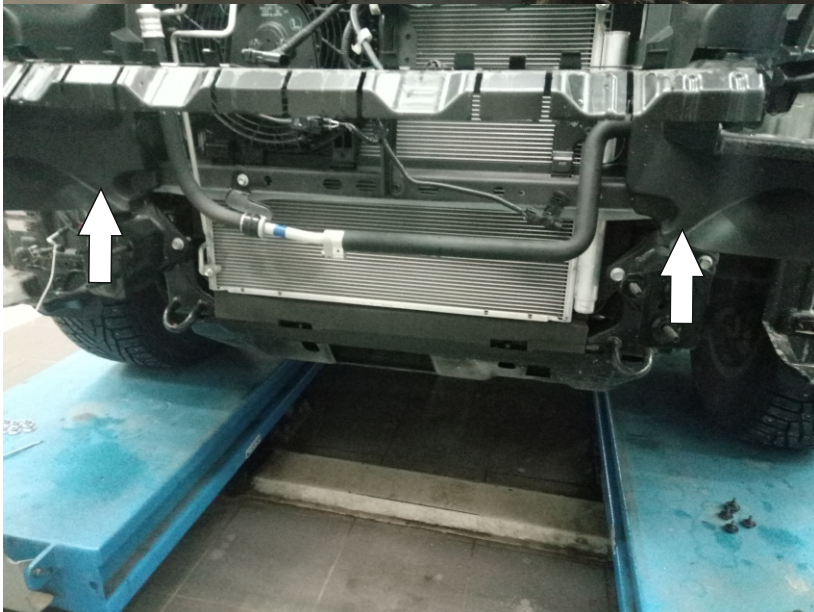
14. Screw out 4 bolts and dismount bar bracket.



15. Remove 2 bolts out. Dismount plastic fasteners of the bumper on splashboards on the left and right.



16. Unscrew 2 screws on the left and right sides and remove plastic covers.

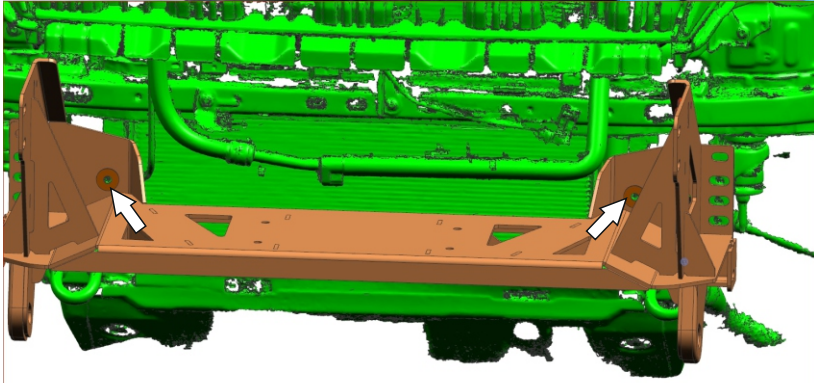


17. Remove plastic deflectors.

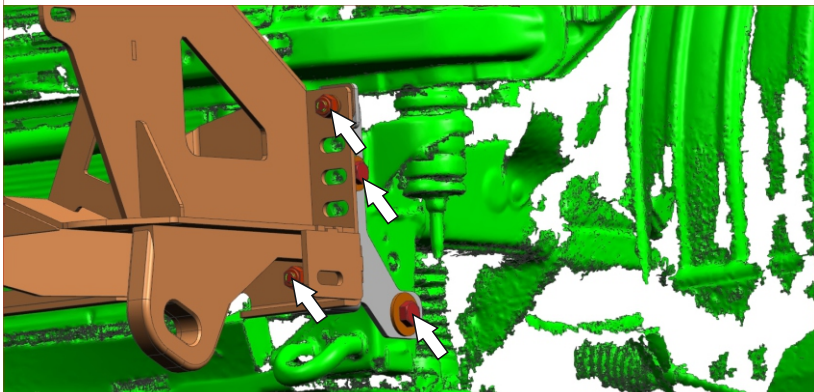




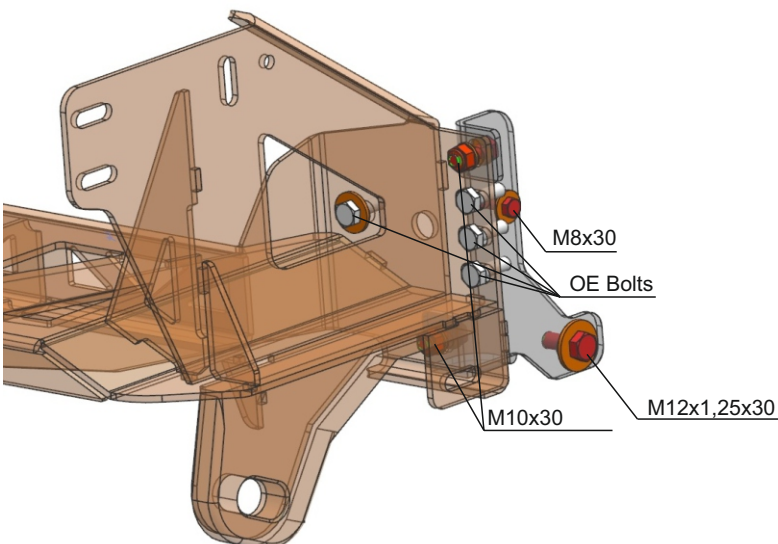
18. Mount winch bracket (pos.2) using OE bolts.



19. Install inside bolts using washers penny 10 (pos.L).

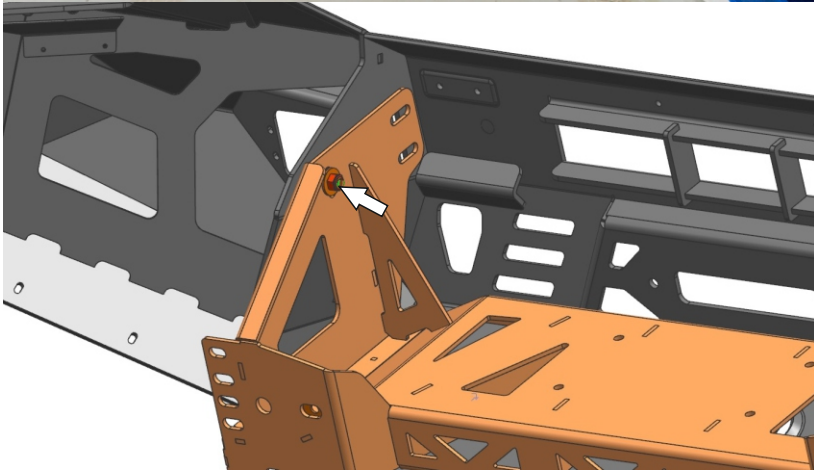


20. Mount support bracket (pos 3,4) and fix it to winch bracket (pos. 2) using bolts M10x30 (pos. B), nuts M10 (pos. H) and washers 10 (pos. J). Fix support bracket to chassis using bolts M8x30 (pos. A), bolts M12x1,25x25 (pos. C), washers penny 10 (pos. L) and 12 (pos. M). Adjust winch mount. Tighten bolts after that.





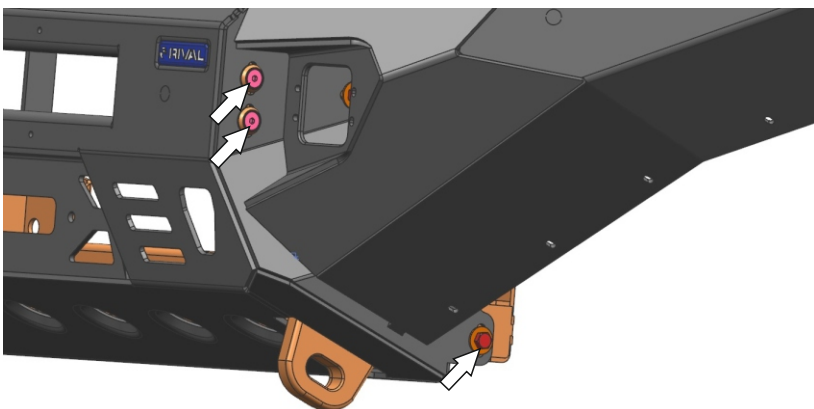
21. Install bumper body(pos. 1) onto the car.



22. Place bolts M10x30 (pos. B) with washers penny 10 (pos.L) onto holes in bumper, from both left and right sides as shown on the picture.

Fix bolts with nuts M10 (pos. H) and washers penny 10 (pos. L).

Do not tighten yet.



23. Insert screws M10x30 (pos. E) with countersunk washers (pos. N) into bumper holes both sides pointed on the picture.

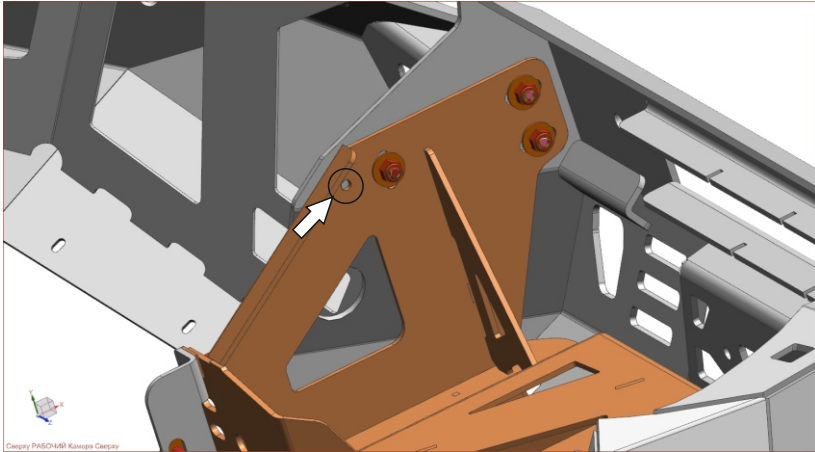
Insert bolts in the lower part of bumper.

Fix screws and bolts using nuts M10 (pos. H) with washers penny 10 (pos. L). Do not tighten yet.

Adjust bumper until you have an equal gap between vehicle body and the bumper on both sides.

Tightened bolts after that.





24. Using a 10mm drill bit drill a hole through the existing hole of the winch bracket from both left and right.

Tighten bumper body (pos. 1) and winch bracket (pos. 2) together using M10x30 bolts (pos. B), nuts M10 (pos. H) and washers 10 (pos. J).

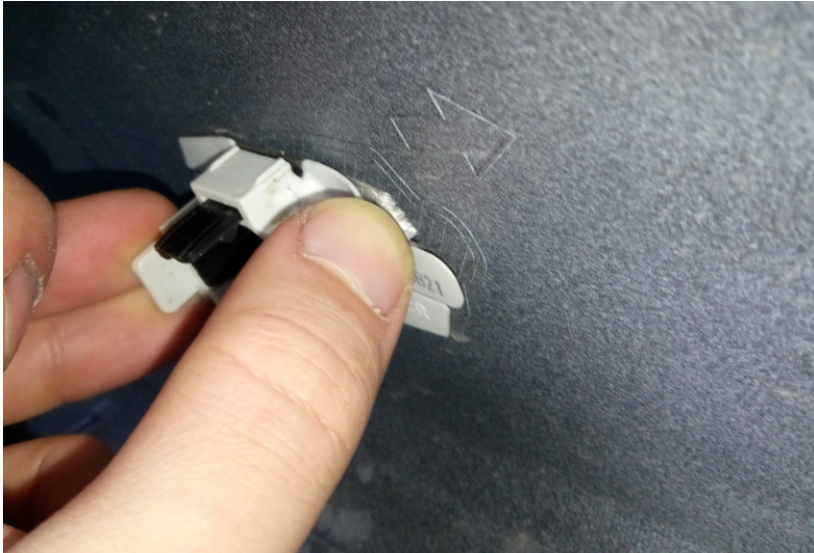
Tighten bolts after that.



25. Hammer the plugs out and install LED lights washers if needed.



26. Cut pawls of washer off if needed like shown.



27. Hammer the plug out and install parking sensors if needed.



28. \* Mount LED lights (pos. 12) into brackets (pos. 10). Tighten the joints.

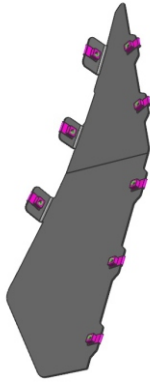
\* LED lights are not supplies with bumper.



29. \* Install the brackets with LED lights onto the bumper (pos. 1 ) using 4 screws M6x20 (pos. D). Adjust to desired position.

\* LED lights are not supplies with bumper.





30. Place clamp M6 U-nut (pos. F) on flaps (pos. 8, 9).



31. Install flaps using few screws M6x20 (pos. D). Make sure the flaps are fixed inside of the bumper, not outside.

Push the flaps to OE plastic fenders and mark the cut line, then cut OE plastic fender.



32. Instal radiator grill brackets (pos. 5, 6, 7). Fix it using OE bolts. Install grill onto the brackets (pos. 5, 6, 7) with clickers. Tighten the bolts.

Fix it using OE screws in the upper part.



33. Instal LED lights plastic covers.



34. Connect all the connectors and check it.

Install plastic pad in reverse order.

Connect the negative battery terminal cable.



**Before operating a vehicle fitted with a RIVAL Bumper:**

- make sure all fittings are tightened
- check winch operation
- check all electrical wiring attached to lights

