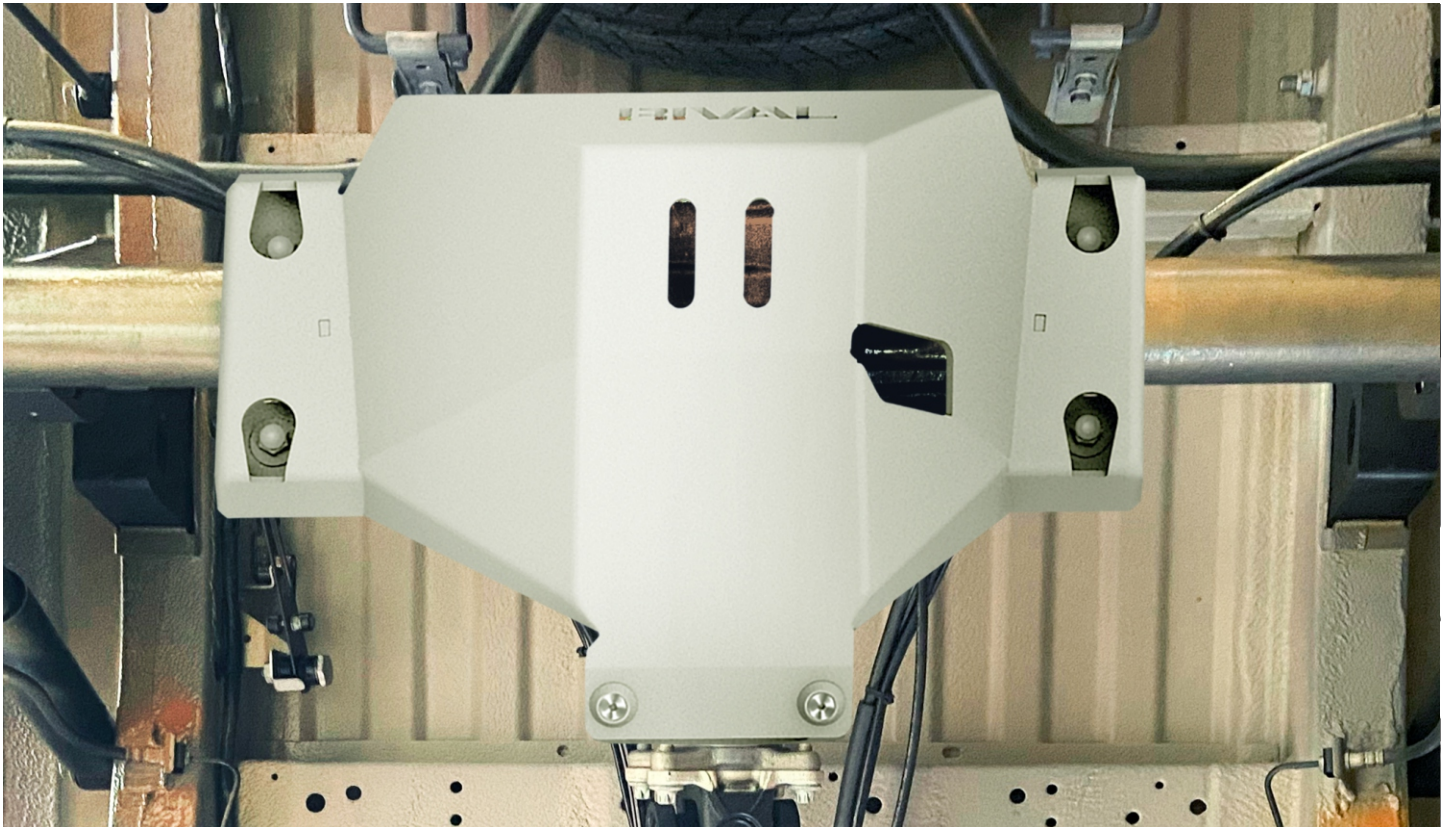


PRODUCT: DIFFERENTIAL SKID PLATE

APPLICATION: MERCEDES-BENZ SPRINTER (2023-Present)

PART NO: 2333.3965.1.6



CAUTION!

To reduce the risk of serious injury or damage to property: Before you start installing and using this product, read the full instructions, pay special attention to the conditions of safe use and recommendations for installation! When installing or maintaining this product, it is necessary to use protective goggles. Check the integrity of the installed components and torque all hardware every 250 miles (400 kms). Discontinue use if there is any damage to the structure or fasteners!

NOTICE

Skid plates are supplemental protection. We cannot guarantee protection against all possible damage from impacts. When driving, be careful of objects and terrain that may damage sensitive parts of the vehicle.

DIFFERENTIAL SKID PLATE

RIVAL

Part number: 2333.3965.1.6

Suited to vehicle: Mercedes-Benz Sprinter 2.1D; AT; 4WD (2023-Present)

Material: Aluminum



SAFETY NOTICE

- * The RIVAL skid plate is designed to complement the use and design of the specified vehicle under conditions underlined by the vehicle manufacturer.
- * While driving the vehicle at any speed, collision with another vehicle, animal or object must always be avoided.
- * Following any collision with another vehicle, animal or object, the RIVAL skid plate and the vehicle must be inspected by a specialized or suitably qualified vehicle technician for possible damage to the components and assemblies in order to confirm suitability for further use of the vehicle.
- * It is strongly recommended that you do not operate a vehicle with a damaged skid plate or its components. In the case of damage, please contact the nearest RIVAL dealer. A damaged vehicle or skid plate is extremely dangerous and should be avoided at all cost.
- * We recommend using a funnel when changing the oil to prevent spills and ensure a clean process.

INSTALLATION NOTICE

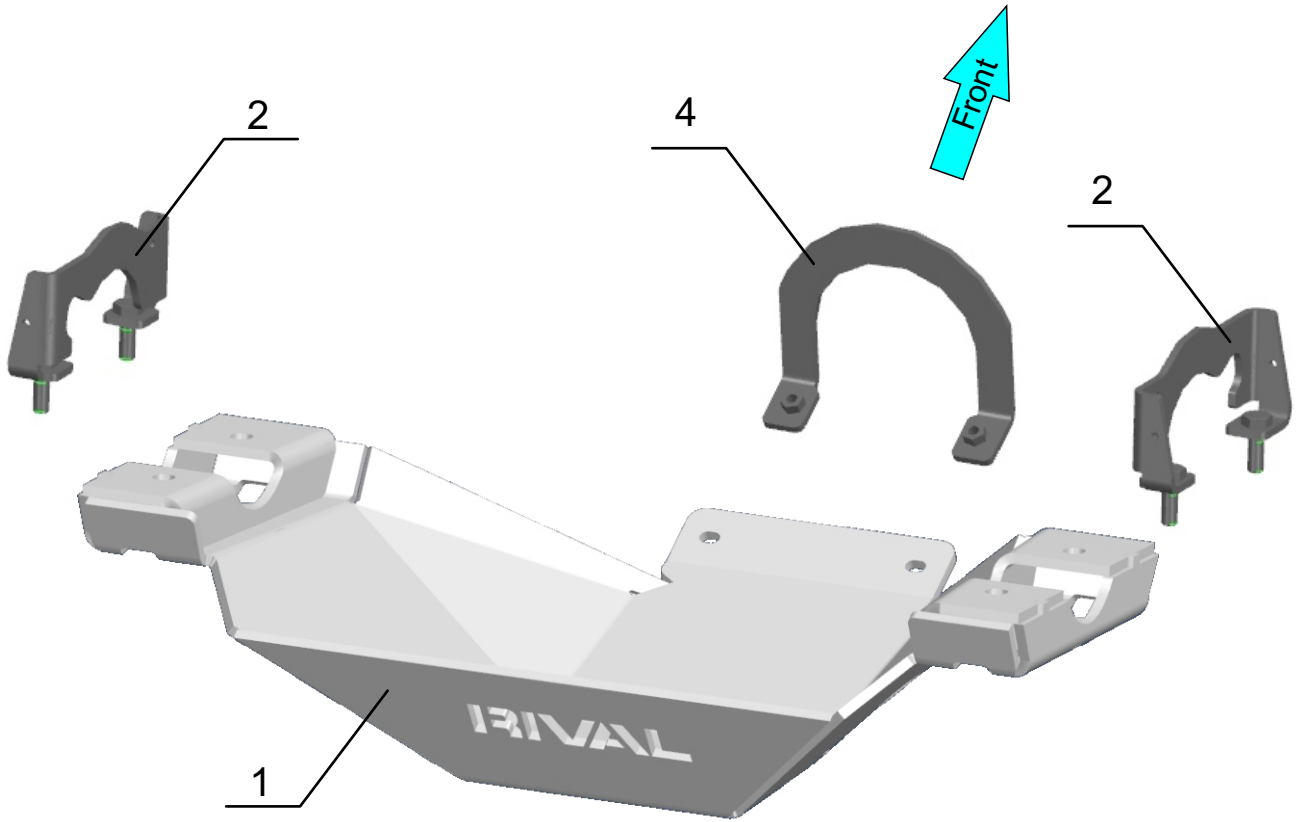
- * The RIVAL skid plate must be mounted to the vehicle according to this installation manual.
- * Personal safety during the installation process must be adhered to at all times.
- * Do not install this skid plate on vehicle models other than those listed in this manual.
- * Estimated time for installation: 1 hour.
- * It's good practice to use a tap on all included hardware and bracketry to ensure ease of final assembly.

REQUIRED TOOLS

- * Basic tool kit
- * Torque wrench

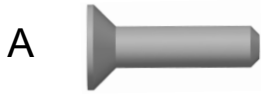
TORQUE SETTING

- * M8 - 24 N·m (17.7 lb/ft)
- * M10 - 47 N·m (34.7 lb/ft)



- 1. Differential skid plate.....Qty 1
- 2. Side bracket.....Qty 2
- 3. Front bracket.....Qty 1

PARTS LISTING



- A. Countersunk bolt M8x1.25x30.....Qty 2
- B. Nut M10.....Qty 4
- C. Penny washer M10.....Qty 4
- D. Countersunk washer M10.....Qty 2

INSTALLATION PROCEDURE

RIVAL

*If equipped, remove any other aftermarket skid plate.

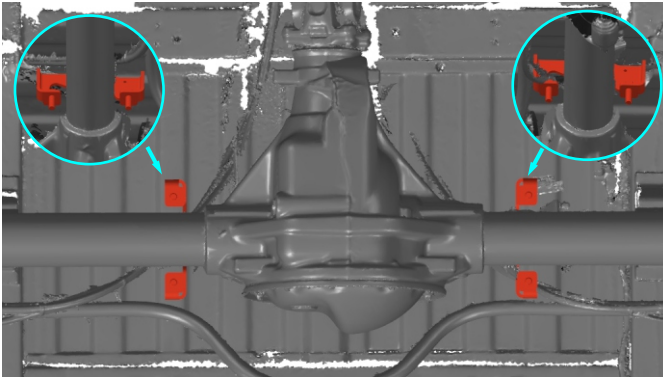


Fig. 1

1. Install side brackets (item 2) as shown in fig.1.

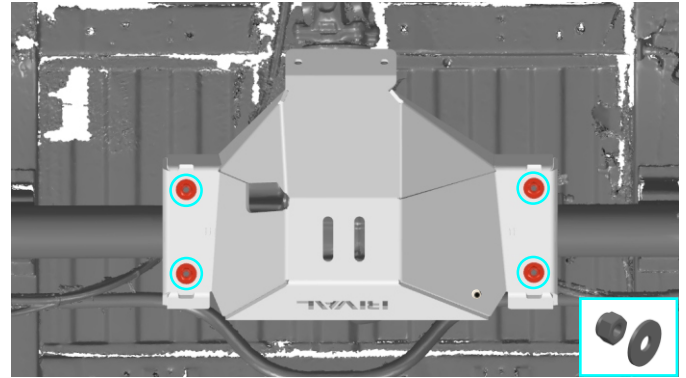


Fig. 2

2. Install differential skid plate (item 1) and secure it using nuts M10 and washers M10 (items B, C) as shown in fig.2.

***Do not tighten yet.**

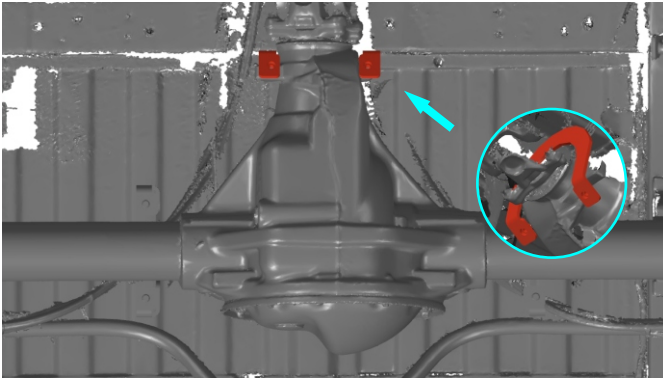


Fig. 3

3. Install front bracket (item 4) as shown in fig.3.

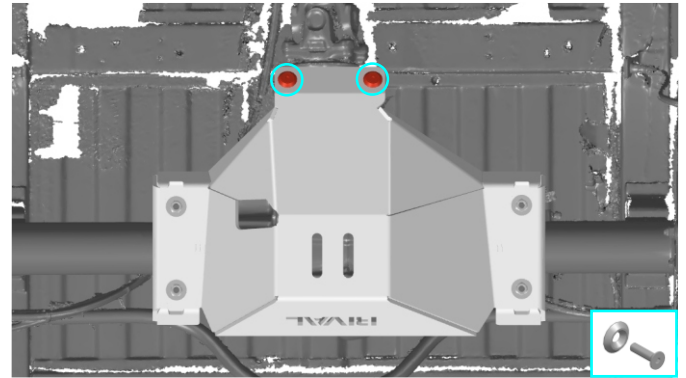


Fig. 4

4. Secure the skid plate on remaining mounting points using countersunk bolts M8x30 and countersunk washers M8 (items A, D) as shown in fig.4.

***Once all bolts are loosely installed, check skid plate alignment and fully tighten all previously installed hardware.**

Before operating a vehicle fitted with RIVAL Skid Plate:

- Make sure all hardware is torqued.
- Ensure the integrity of the structure and all its components.

