

FORD RANGER/RANGER RAPTOR/
MAZDA BT-50
2011-2015; 2015-2018; 2018-/
2018-/2012-2018;2018-
Installation Instructions

TAILGATE STRUT KIT

2AB.ST.1805.1

Page 4/4

Ford Ranger/Ranger Raptor/ Mazda BT-50

TAILGATE STRUT KIT Installation Instructions



Model Year: 2011-2015; 2015-2018; 2018-/
2018-/2012-2018;2018-



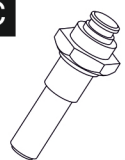




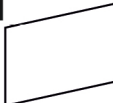
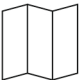
Part No.: 2AB.ST.1805.1

Compatibility: all types

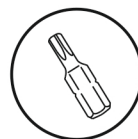
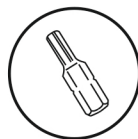
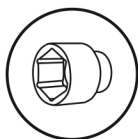
Weight: 1 kg

Installation Time: 30min



A  x1	B  x1	C  x1	D  M10x30 x1	E  Ø8 steel x1
F  x2	G  Ø8,4 plastic x2	H  Self-adhesive protective film x1	 Installation Instructions	

Required Tools



14 mm

HEX 6

TORX 40
TORX 50

