

INSTALLATION MANUAL

PRODUCT: REAR BUMPER
MODEL: TOYOTA HILUX (2011-2015)
TOYOTA HILUX (2015-2020)
TOYOTA HILUX (2020-)
PART NO: 2D.5715.1-NL



CAUTION!

To reduce the risk of serious injury or damage, please read and understand all instructions and procedures before attempting to install or use this product.
Safety glasses must be worn at all times during installation or maintenance of this product.
Ensure all mounting bolts are tensioned after 1000 kms and periodically there after.

NOTICE

Whilst the bumper adds additional protection to your vehicle, precautionary measures still need to be taken to avoid damage.
Always drive to the conditions and your surroundings.

REAR BUMPER FOR TOYOTA HILUX

Part Number:	2D.5715.1-NL
Suited to vehicle:	Toyota Hilux 2011-2015 Toyota Hilux 2015-2020 Toyota Hilux 2020-
Material:	Aluminum/Steel
Dimensions:	1860x600x300mm
Weight:	38kg



SAFETY NOTICE

- * The RIVAL Bumper is designed to compliment the use and design of the specified vehicle under conditions specified by the car manufacturer.
- * While driving the vehicle at any speed, collision with any other vehicle, animal or object must always be avoided.
- * Following any collision with any other vehicle, animal or object, the RIVAL Bumper and the vehicle must be inspected by a specialized or suitably qualified vehicle repairer for possible damage to the components and assemblies in order to confirm suitability for further use of the vehicle.
- * It is strongly recommended that you do not operate a vehicle with a damaged bumper or its components. In the case of damage, please contact the nearest RIVAL dealer.
- * The operation of a vehicle where the bumper is not properly attached and fastened to the vehicle, or where the bumper has been damaged, is extremely dangerous and must be avoided at all cost.
- * It is recommended that you carry out regular inspections of all the bumper elements such as all bolts, wires, connectors.

INSTALLATION NOTICE

- * The RIVAL Bumper must be mounted and affixed to the vehicle according to this installation manual.
- * Personal safety during the installation process must be adhered to at all times and the use of personal safety equipment is highly recommended

REQUIRED TOOLS

- * Basic tool kit
- * Electric drill
- * Drill set
- * Torque wrench
- * Box knife
- * Marker

TORQUE SETTINGS

- * M6 9 Nm
- * M10 44 Nm
- * M12 77 Nm

IMPORTANT NOTE

If the REAR Bumper is to be colour coded it is the installers responsibility to check the fitment and alignment of the Bumper to the vehicle before painting is done. It is the painters responsibility to ensure that the Bumper is correctly prepared and high filled to achieve a quality finish. RIVAL is not liable for any costs associated with colour coding, or fitment issues post colour coding.

*TOW BAR INSTALLATION

The bumper design provides for installation of the American-style tow bar – square 2 (50.8 mm).

Maximum allowable vertical static load on the tow bar should be not more than 350 kg.

Maximum towing capacity:

Unbraked towing capacity, kg:	Braked towing capacity, kg:
750	3500

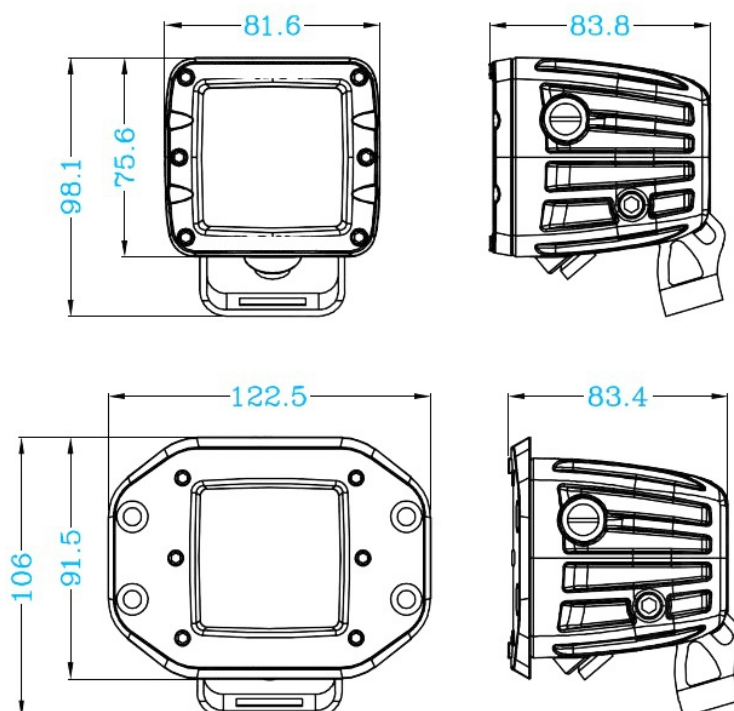
Caution!

Towing of the trailer which is incompliant with specified requirements may result in damage to tow bar or bumper.

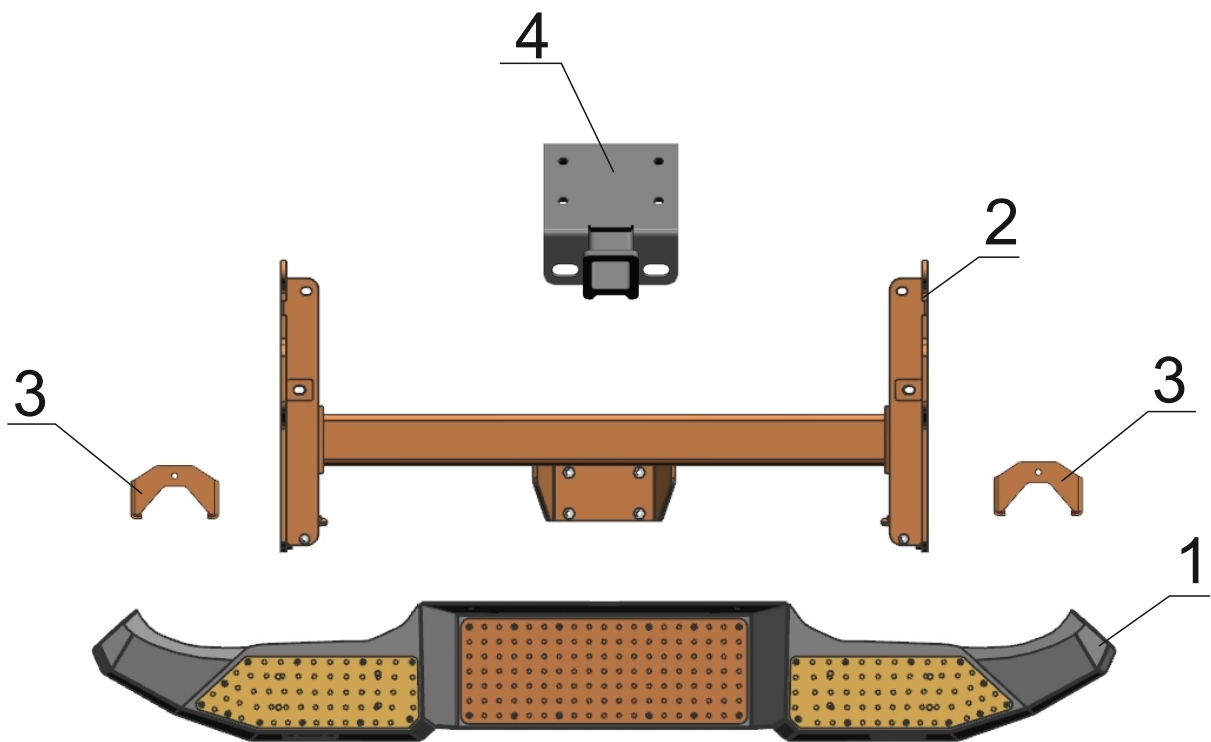
*LIGHTS

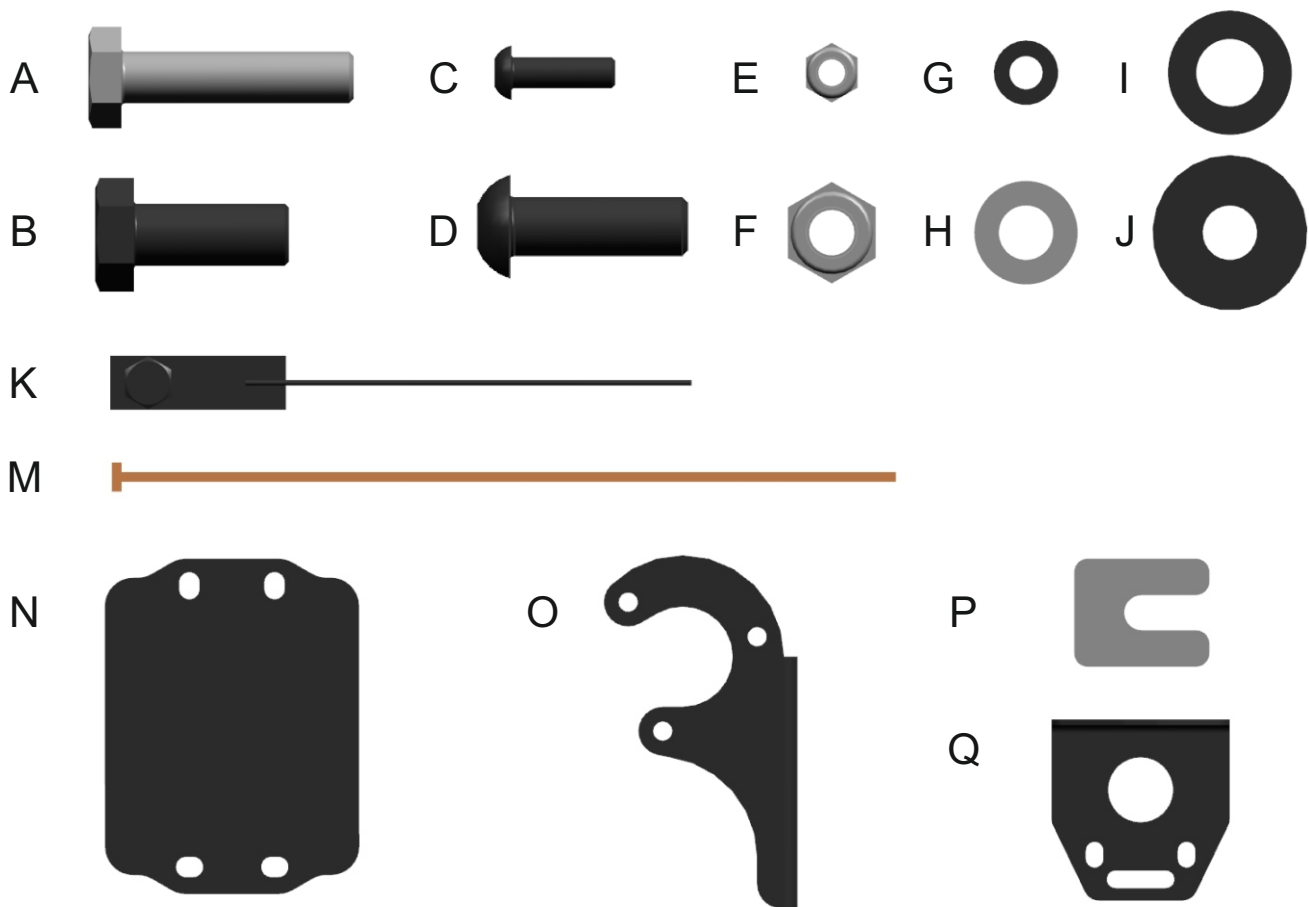
The bumper provides for the light mounting points.

Overall dimensions of the lights under installation:

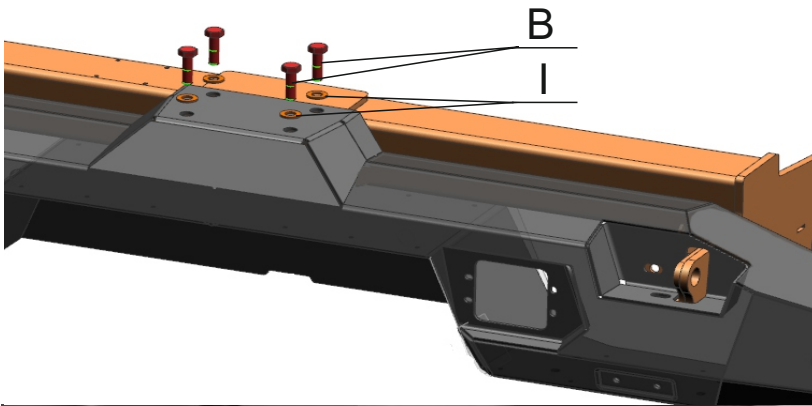


- 1. Aluminum bumper body.....1 pc.
- 2. Bumper bracket.....1 pc.
- 3. Light bracket.....2 pc.
- 4. Tow bar square.....1 pc.





A. Bolt M10x45.....	2 pc.
B. Bolt M12x1,25x40 (Preinstalled, as travel hardware, in bumper bracket (pos. 2) and aluminum bumper body (pos. 1)).....	10 pc.
C. Screw M6x20.....	12 pc.
D. Screw M10x30.....	4 pc.
E. Nut M6.....	12 pc.
F. Nut M10.....	4 pc.
G. Washer M6.....	16 pc.
H. Washer M10.....	4 pc.
I. Washer M12(Preinstalled, as travel hardware, in bumper bracket (pos. 2) and aluminum bumper body (pos. 1)).....	10 pc.
J. Washer penny M10.....	4 pc.
K. Insert pin M10.....	2 pc.
L. Self-adhesive pad	4 pc.
M. Plastic clamp.....	4 pc.
N. Lamp plug.....	2 pc.
O. Tow bar socket bracket	1 pc.
P. Adjusting plate 2mm.....	4 pc.
Q. license plate light bracket.....	2 pc.



1. Unscrew bolts M12x1,25x40 (pos. B) and washers 12 (pos. I), preinstalled as travel hardware, in bumper bracket (pos. 2) and aluminum bumper body (pos. 1). Set aside to reuse later on.



2. Unscrew tension bolts of the standard bumper the left and right of the vehicle frame. Dismantle the bumper



**Paragraphs 3 and 4 for vehicles with rear park system:*

3. Remove gages from the bumper and detach the connectors.

Remove wiring from the bumper.



4. Remove plastic fasteners of sensors from the bumper.



***For Hilux Vigo:**

5. Remove license plate lights.



6. Install the lights onto the brackets (4).

Align the position of the lights and tighten screw joints



7. Install lights and brackets into the bumper fascia using screws M6x20 (C) and washers 6 (G).

Adjust the position of lights.

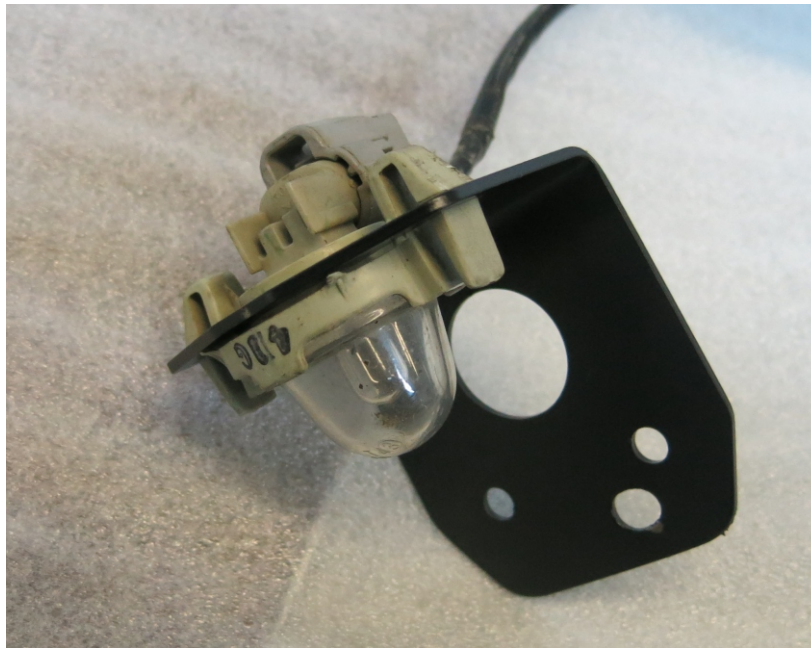
**Paragraphs 8 and 9 for vehicles with rear park system:*



8. Install plastic fasteners of rear parking sensors. At the same time, align the protrusion on the fasteners with the recess in the bumper.



9. Install rear parking sensors into the fasteners.



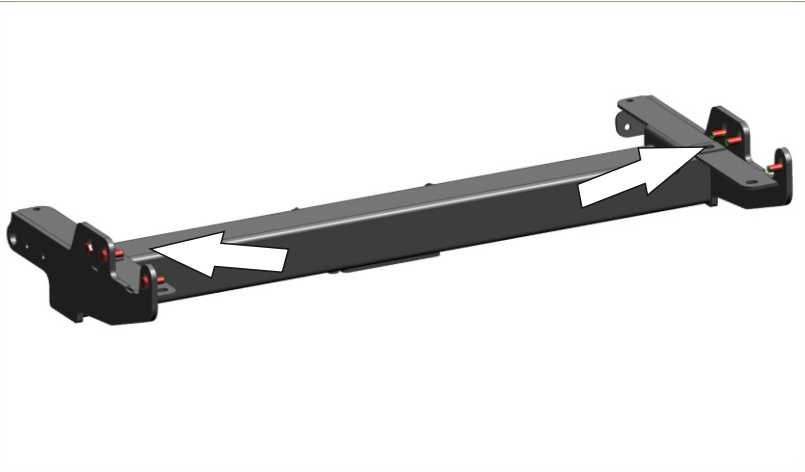
***Steps 10, 11 are for Hilux Vigo**

10. Mount license plate light to bracket (Q) supplied.



11. Mount brackets with lights using screw M6x20 (C), washers 6 (G) and nuts M6 (E).

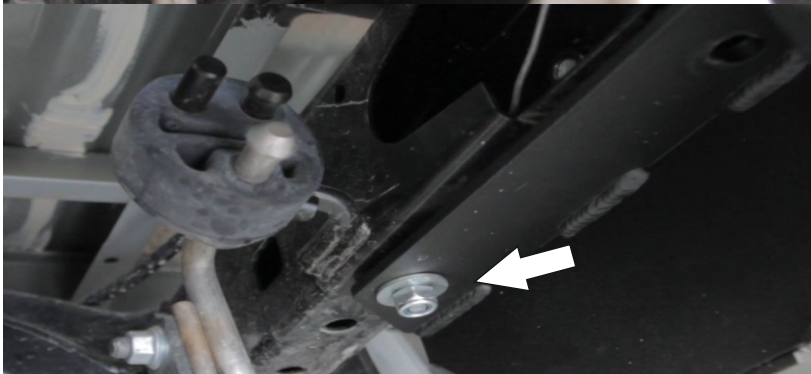
Connect the wires.



12. Install bumper bracket (2) on the car frame. Fasten with bolts M12x40x1,25 (B) with washers 12(I). Do not tighten threaded connections.



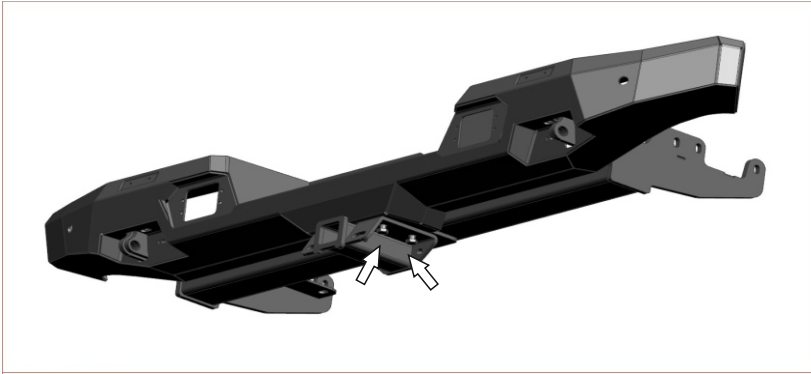
13. Put insert pin M10 (K) into the car frame. Screw on nut M10 (F) and washer penny 10 (J). Tighten all threaded connections.



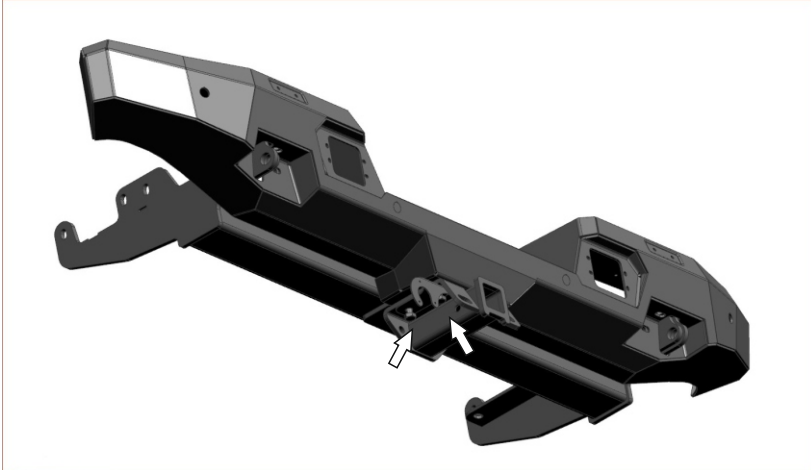
14. Install the bolt M10x45 (A) with washer penny 10 (J). Screw in nut M10 (F) with washer penny 10 (J). Tighten all threaded connections.



15. Install the bumper facia (1) onto the bracket (2) and screw it in the 4 screws M10x30 (D) and washers 10 (H).



16. Instal the towing bar bracket (3) on the car and screw with 2 bolts M12x1,25x40 (B) and washers 12 (I) on several turns.



17. Instal the socket bracket on the towing bar bracket (O) and screw with 2 bolts M12x1,25x40 (B) and washers 12 (I) on several turns.

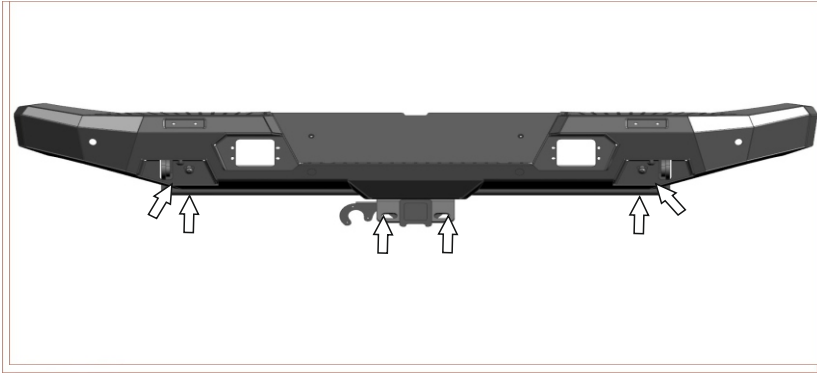


18. **Carefully** open the vehicle board. Check for the clearance between the bumper and board which should be 20 mm at least.

If the clearance is not sufficient, install the washers in the specified place on the left and right.

Tighten all threaded connections between the vehicle frame and the bumper bracket.





19. To align the bumper facing (1) in relation to the vehicle body in order to achieve the equal clearance on the left and right.

Tighten screws M10x30 (D) of bumper fasteners and bolts M12x1,25x40 (B) in the bumper rear part.

Before operating a vehicle fitted with a RIVAL Bumper:

- make sure all fittings are tightened***
- check winch operation***
- check all electrical wiring attached to lights***

