

*For more info about compatibility with other models
please see the sticker on the skid plate

MITSUBISHI PAJERO IV

No.: 4012.1 Radiator 4003.2 Engine
4044.1 Gearbox 4011.5 Transfer case

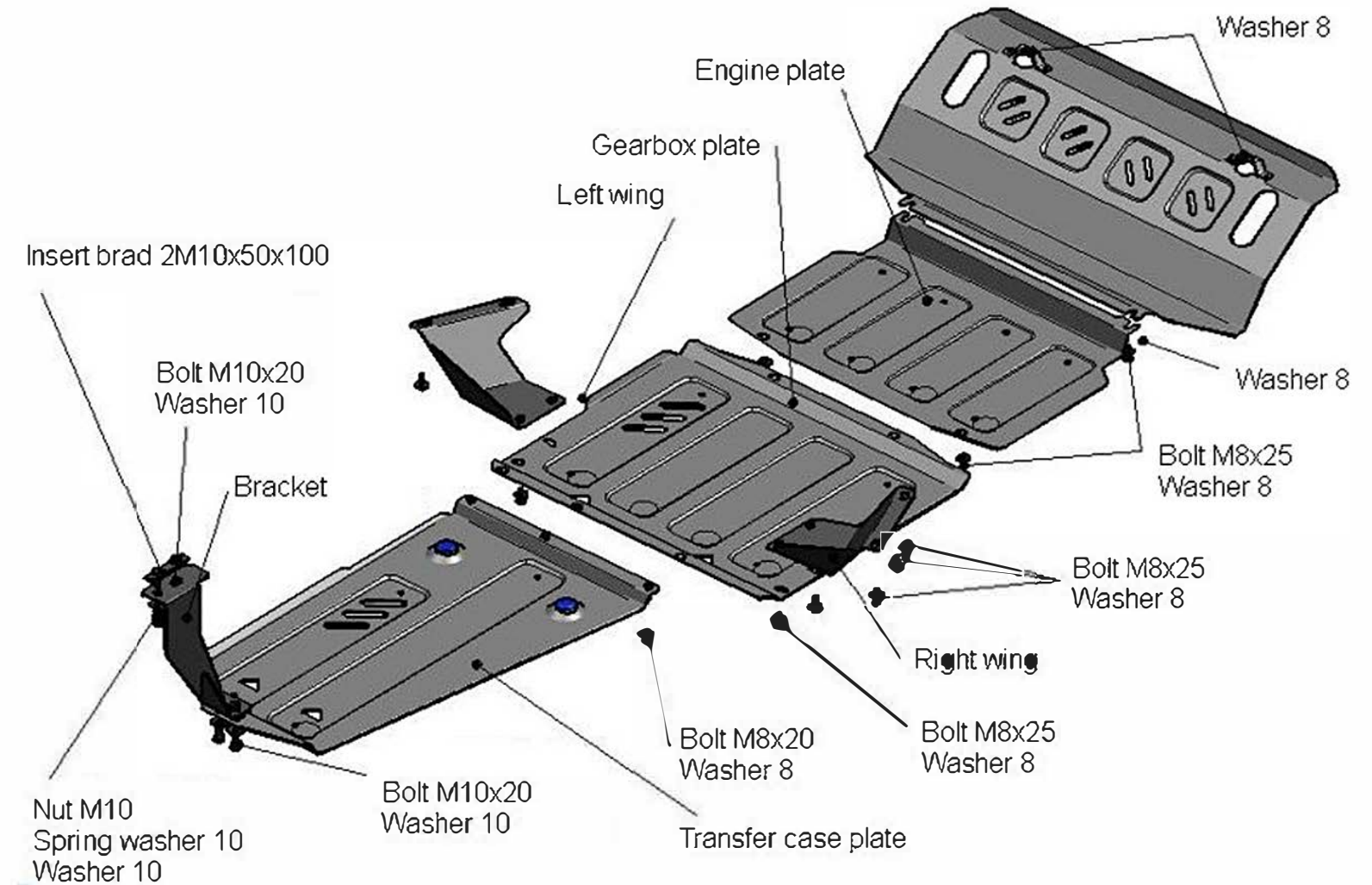
Year: 2006-2011; 2011-2016

Engine: 3.0; 3.2 (188hp); 3.2 (200hp); 3.8

Transmission: All

FITTING KIT

1. Bolt M8x20.....	3 pc
2. Bolt M8x25.....	14 pc
3. Bolt M10x20.....	3 pc
4. Nut M10.....	1 pc
5. Washer 8.....	21 pc
6. Washer 10.....	4 pc
7. Spring washer 10.....	1 pc
8. Insert brad 2M10x50x100.....	1 pc
9. Wing.....	2 pc
10. Bracket.....	1 pc



INSTALLATION INSTRUCTIONS

1. Remove factory plastic guards.
2. Install radiator plate, fix it with original fittings.
3. Install engine plate to original fitting points.
4. Mount wings to original fitting points of gearbox plastic guard, fix them with bolts M8x25.
5. Mount gearbox plate. Fix its front end to original fitting points with bolts M8x25, then fix its rear end to mounted wings with bolts M8x25.
6. Place insert brad 2M10x50x100 into apertures of body near transfer case.
7. Mount bracket, fix it to insert brad 2M10x50x100 with nut M10 and bolt M10x20.
8. Mount transfer case plate, fix its rear end to bracket with bolts M10x20, then fix its front end to gearbox plate with bolts M8x20.
9. Tighten all screws (50 Nm for M10, 30 Nm for M8, 10 Nm for M6). Do not use pneumatic or power tools to tighten.



www.rivalauto.com