

# INSTALLATION MANUAL

PRODUCT: **REAR BUMPER**  
MODEL: **MITSUBISHI TRITON (2015-2019)**  
PART NO: **2D.4003.1-NL**



## CAUTION!

To reduce the risk of serious injury or damage, please read and understand all instructions and procedures before attempting to install or use this product.  
Safety glasses must be worn at all times during installation or maintenance of this product.  
Ensure all mounting bolts are tensioned after 1000 kms and periodically there after.

## NOTICE

Whilst the bumper adds additional protection to your vehicle, precautionary measures still need to be taken to avoid damage.  
Always drive to the conditions and your surroundings.

## REAR BUMPER FOR MITSUBISHI TRITON

<b>Part Number:</b>	2D.4003.1-NL
<b>Suited to vehicle:</b>	Mitsubishi L200 / Triton 2015-2019
<b>Material:</b>	Aluminum/Steel
<b>Dimensions:</b>	1850x650x250mm
<b>Weight:</b>	46kg



## SAFETY NOTICE

- \* The RIVAL Bumper is designed to compliment the use and design of the specified vehicle under conditions specified by the car manufacturer.
- \* While driving the vehicle at any speed, collision with any other vehicle, animal or object must always be avoided.
- \* Following any collision with any other vehicle, animal or object, the RIVAL Bumper and the vehicle must be inspected by a specialized or suitably qualified vehicle repairer for possible damage to the components and assemblies in order to confirm suitability for further use of the vehicle.
- \* It is strongly recommended that you do not operate a vehicle with a damaged bumper or its components. In the case of damage, please contact the nearest RIVAL dealer.
- \* The operation of a vehicle where the bumper is not properly attached and fastened to the vehicle, or where the bumper has been damaged, is extremely dangerous and must be avoided at all cost.
- \* It is recommended that you carry out regular inspections of all the bumper elements such as all bolts, wires, connectors.

## INSTALLATION NOTICE

- \* The RIVAL Bumper must be mounted and affixed to the vehicle according to this installation manual.
- \* Personal safety during the installation process must be adhered to at all times and the use of personal safety equipment is highly recommended

## REQUIRED TOOLS

- \* Basic tool kit
- \* Electric drill
- \* Drill set
- \* Torque wrench
- \* Box knife
- \* Marker

## TORQUE SETTINGS

- \* M6 9 Nm
- \* M10 44 Nm
- \* M12 77 Nm

## IMPORTANT NOTE

If the REAR Bumper is to be colour coded it is the installers responsibility to check the fitment and alignment of the Bumper to the vehicle before painting is done. It is the painters responsibility to ensure that the Bumper is correctly prepared and high filled to achieve a quality finish. RIVAL is not liable for any costs associated with colour coding, or fitment issues post colour coding.

## \*TOW BAR INSTALLATION

The bumper design provides for installation of the American-style tow bar – square 2 (50.8 mm).

Maximum allowable vertical static load on the tow bar should be not more than 350 kg.

Maximum towing capacity:

Unbraked towing capacity, kg:	Braked towing capacity, kg:
750	3500

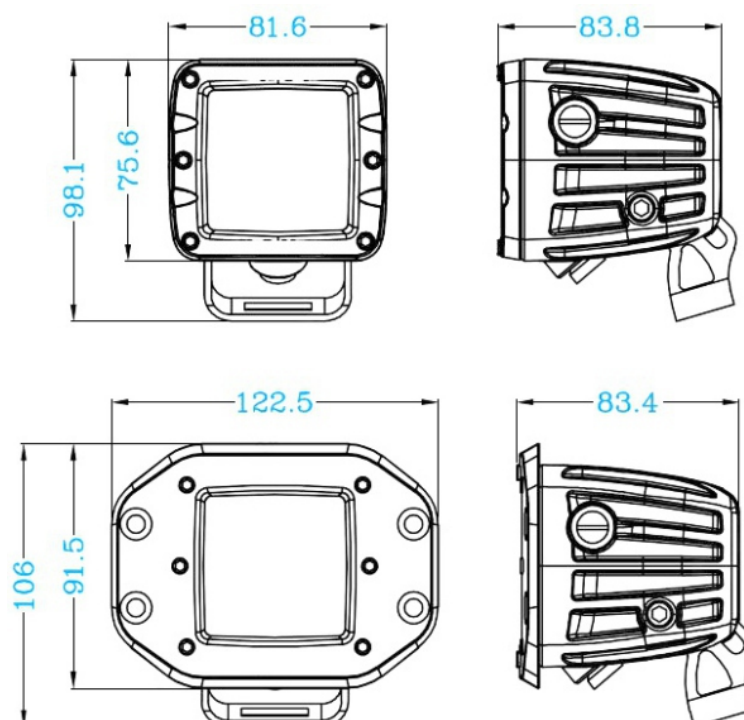
## Caution!

**Towing of the trailer which is incompliant with specified requirements may result in damage to tow bar or bumper.**

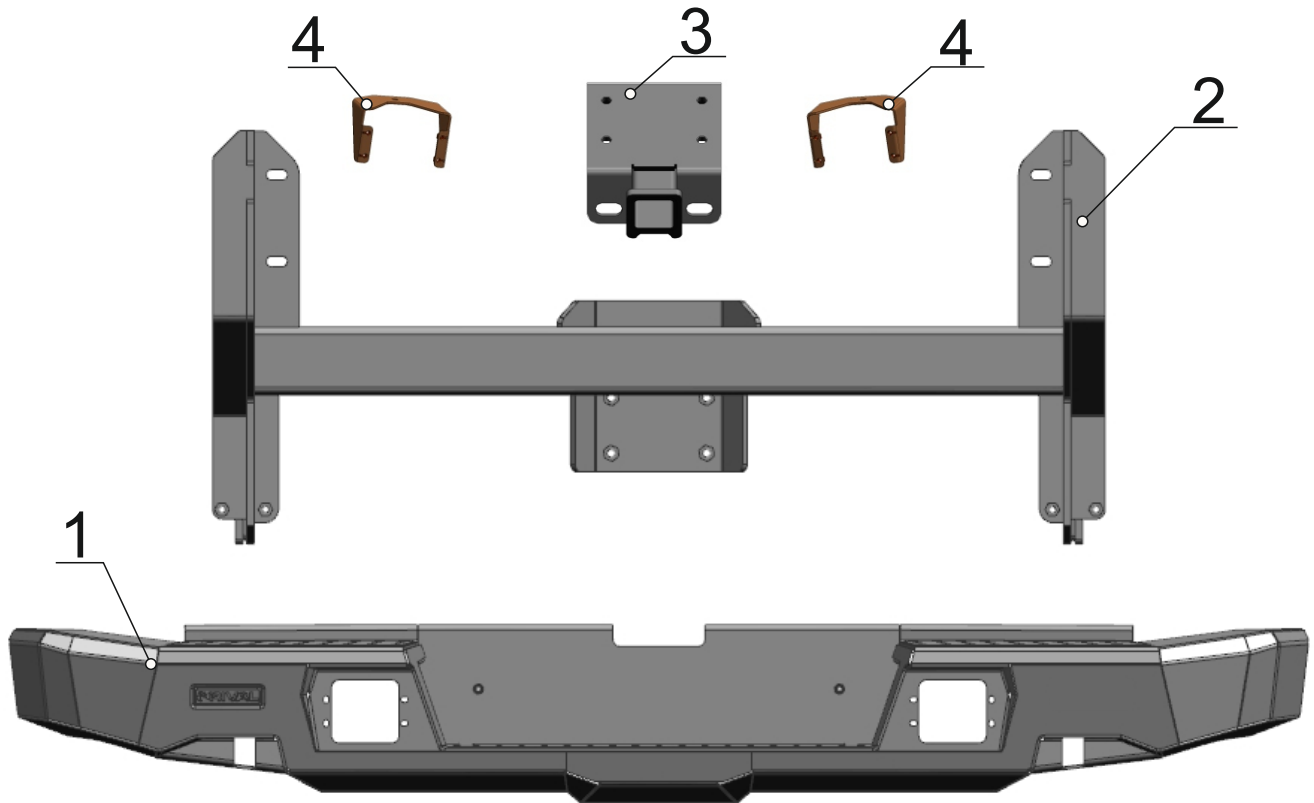
## \*LIGHTS

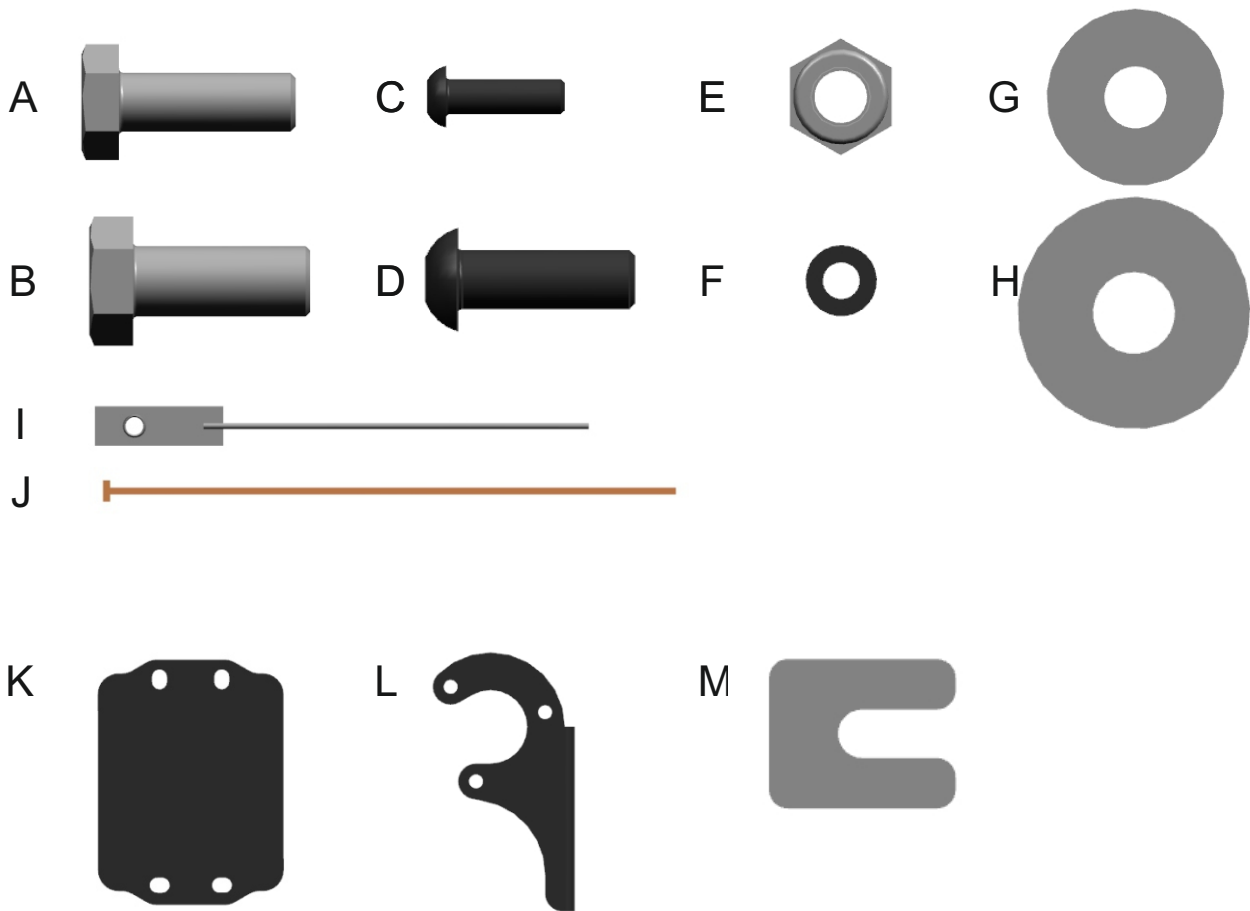
The bumper provides for the light mounting points.

**Overall dimensions of the lights under installation:**

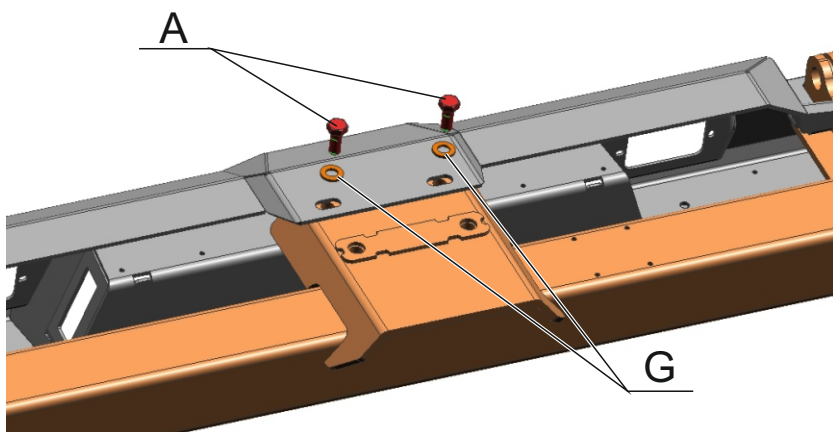


- 1. Bumper facia.....1 pc.
- 2. Bracket .....1 pc.
- 3. Tow bar square .....1 pc.
- 4. Flashlight bracket .....2 pc.





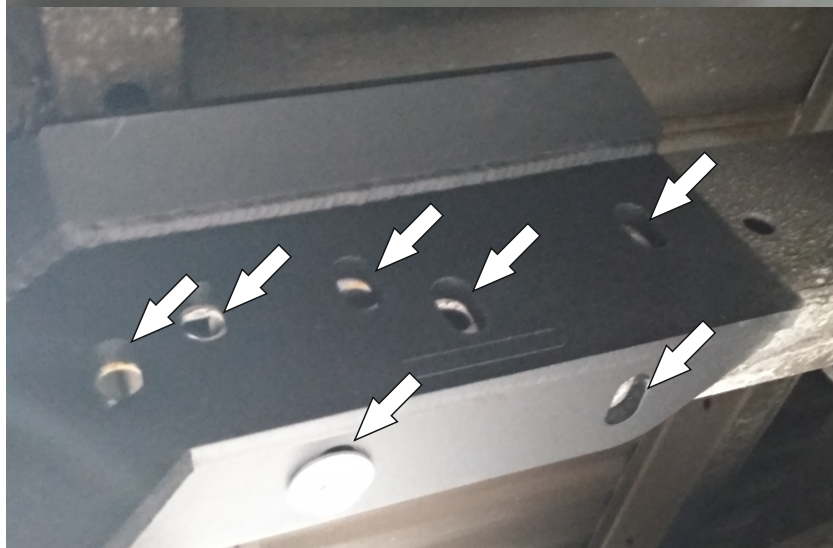
A. Bolt M10x30.....	14 pc.
B. Bolt M12x1,25x40 (2 pc. preinstalled, as travel hardware, in bumper bracket (pos. 2) and aluminum bumper body (pos. 1)).....	4 pc.
C. Screw M6x20.....	8 pc.
D. Screw M10x30.....	4 pc.
E. Nut M10.....	14 pc.
F. Washer M6.....	8 pc.
G. Washer penny M10.....	28 pc.
H. Washer penny M12 (2 pc. preinstalled, as travel hardware, in bumper bracket (pos. 2) and aluminum bumper body (pos. 1)).....	4 pc.
I. Inserts M10.....	6 pc.
J. Plastic clamp.....	10 pc.
K. Lamp plug.....	2 pc.
L. Tow bar socket bracket .....	1 pc.
M. Adjusting plate 2mm.....	4 pc.



1. Unscrew bolts M12x1,25x40 (pos. B) and washers 12 (pos. H), preinstalled as travel hardware, in bumper bracket (pos. 2) and aluminum bumper body (pos. 1). Set aside to reuse later on.



2. Open the hood.  
3. Disconnect the «-» terminal from the vehicle battery.  
4. Remove the license plate lights by unbending the plastic clamber



5. Install the bumper arm (2) on the car frame, using bolts M10x30 (A), washers penny 10 (G) and nuts M10 (E).



6. \*Set the lamps on the light brackets (4) using the fastenings from the lights kit.

*\*For a package with lights.*

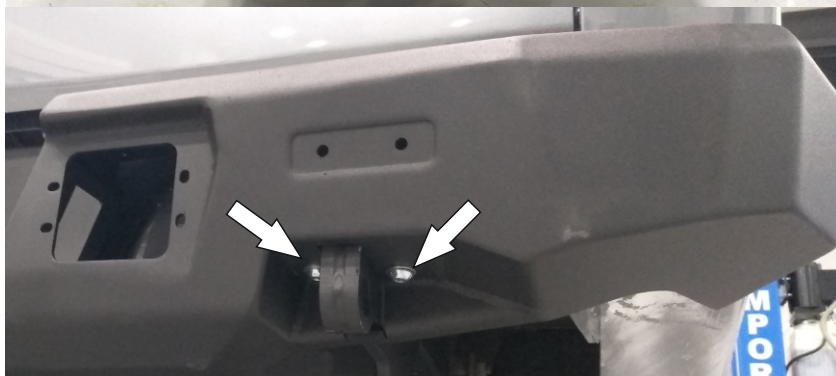


7.\* Install the brackets (4) with lamps into the bumper fascia (1) using screws M6x20 (C).

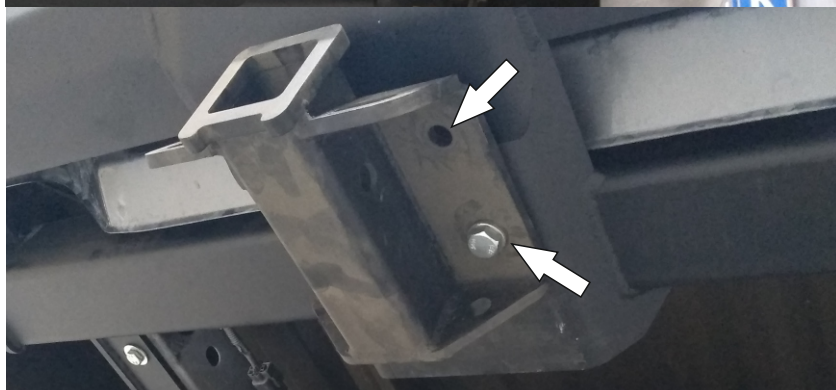
\* For a package with lights.



8. Install the bumper arm (2) on the car frame.



9. Fix it by means of screws M10x30 (D) and washers penny 10 (G).



10. Install the tow bar (3) on the bumper (1), by means of M12x1,25x40 bolts (B), and washers penny 12 (H) (on the right side).



11. Fix the tow bar (3) on the left side, through the socket bracket (L).



12. Install the license plate lights in the bumper fascia.



- Before operating a vehicle fitted with a RIVAL Bumper:**
- make sure all fittings are tightened
  - check all electrical wiring attached to lights

