

Isuzu D-Max

TAILGATE STRUT KIT
Installation Instructions




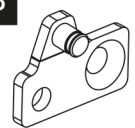
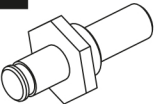
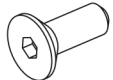


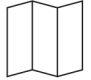
Model year: 2012-2015; 2015-2018; 2018-

Part No.: 2AB.ST.9101.1

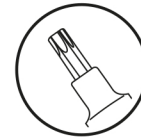
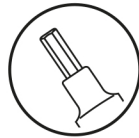
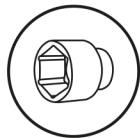
Compatibility: all types

Weight: 1 kg

Installation time: 30 min

A  x1	B  x1	C  x1	D  M8x20 x1	E  x2
F  x2	 Installation Instructions			

Required Tools



17 mm

HEX 5

TORX 40

