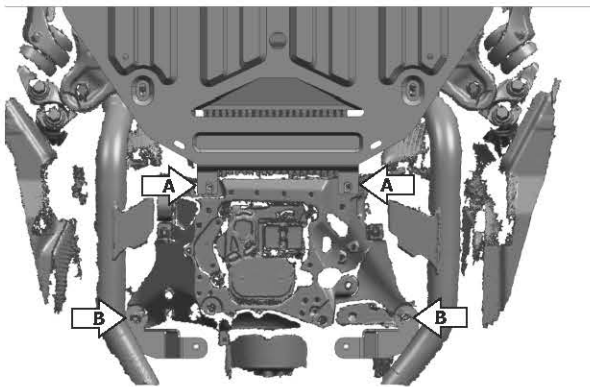
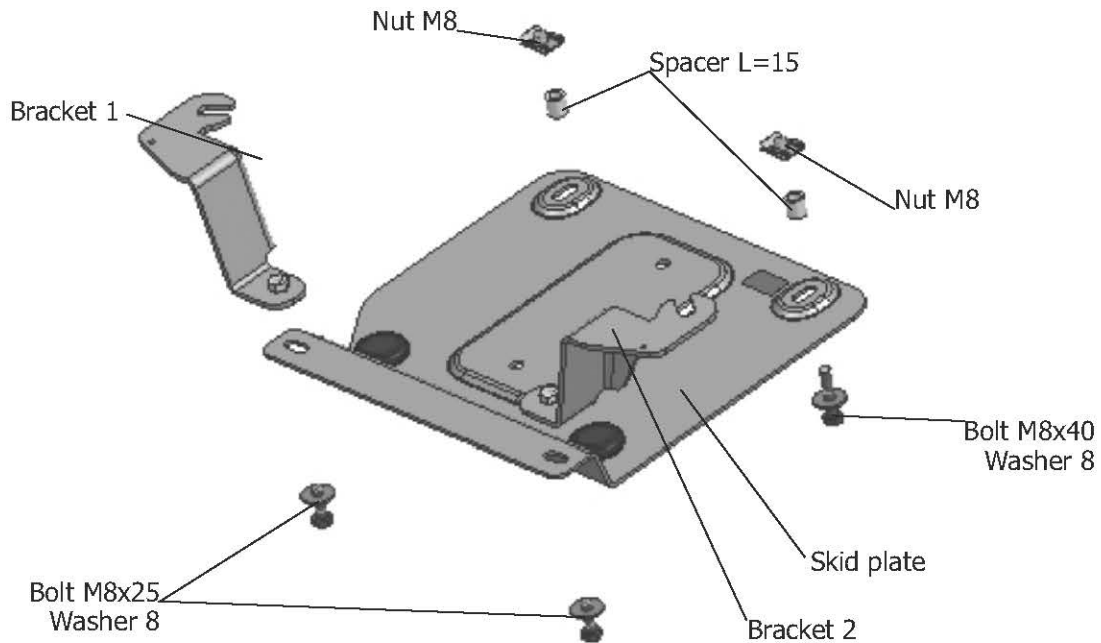


| Make       | Model   | Model year | Engine  | Type of gearbox | Drive           |
|------------|---------|------------|---|-----------------|-----------------|
| Audi       | Q7      | 2015-      | 3.0TFSI; 3.0TFSI S LINE;<br>3.0TDI                    | Automatic       | All wheel drive |
| Volkswagen | Touareg | 2018-      | 2.0TFSI (249 Hp); 3.0TFSI (340 Hp)<br>3.0TDI (249 Hp) | Automatic       | All wheel drive |



**Installation instructions:**

1. Remove the factory guard.
2. Unscrew the rear gearbox skid plate mount (A)
3. Unscrew mount (B) by a few turns and install brackets 1 and 2.
4. Install the skid plate: fasten the rear part with M8x25 bolts to the brackets, fasten the front part with M8x40 bolts to the cage nuts M8 through spacers L = 15
5. Tighten the bolts with the required torque
6. Fix the guard with factory fasteners(C)

**Parts:**

| Name        | Quantity | Torque  |
|-------------|----------|---------|
| Bolt M8x25  | 2 pcs    | 24.0 Nm |
| Bolt M8x40  | 2 pcs    | 24.0 Nm |
| Washer 8    | 4 pcs    |         |
| Nut M8      | 2 pcs    |         |
| Skid plate  | 2 pcs    |         |
| Spacer L=15 | 2 pcs    |         |

The manufacturer has the right to make changes to the design of skid plate.

Technical support: [export@rivalauto.com](mailto:export@rivalauto.com)