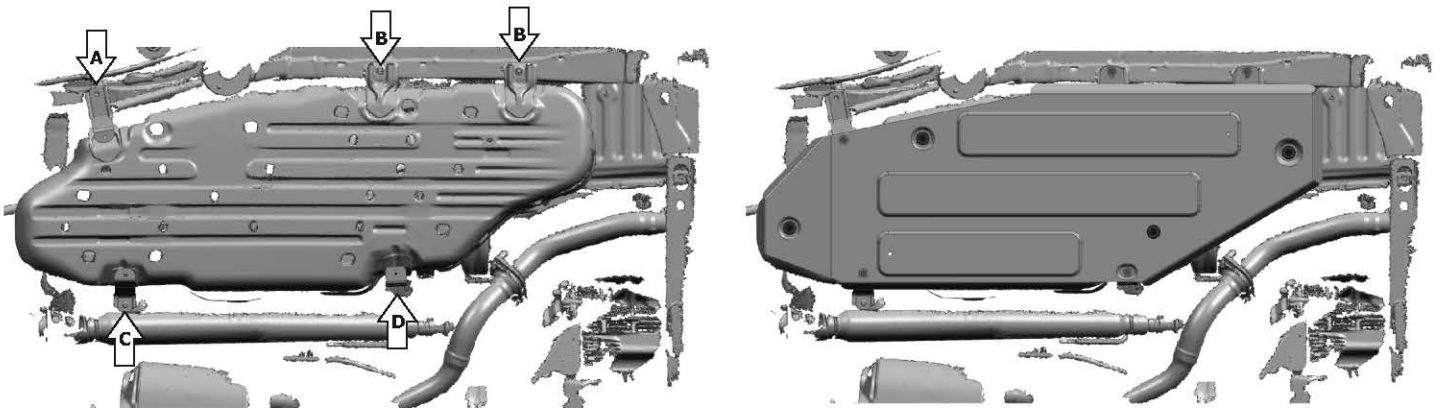
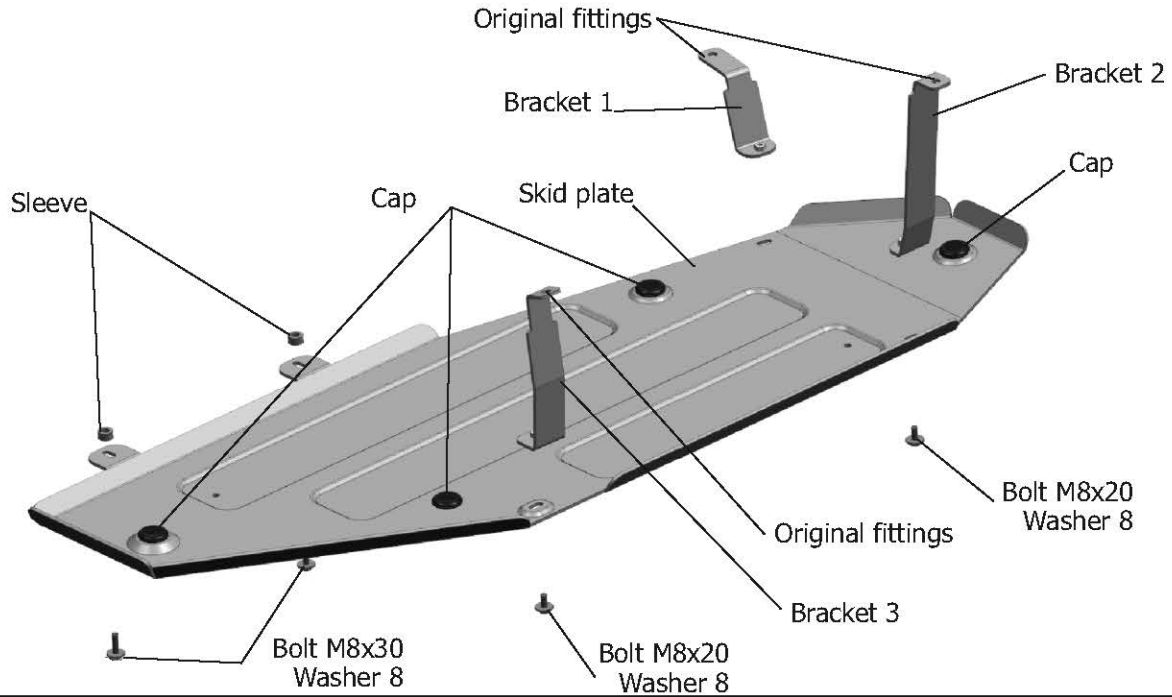


BRAND	MODEL	YEAR	ENGINE	Transmission	Drive
Toyota	Land Cruiser 200	2015-	4.5d	Automatic	AWD
Lexus	Lx450d	2015-	4.5d	Automatic	AWD
Lexus	Lx570	2015-	5.7	Automatic	AWD



**Installation manual:**

1. Skid plate installation must be atop the OE plastic dust cover.
2. Mount using OE fittings (A) bracket 1.
3. Mount using OE fittings (C) bracket 2.
4. Mount using OE fittings (D) bracket 3.
5. Unscrew OE fittings (B).
6. Mount skid plate.
7. Tighten all screws.

**Content:**

Name	QTY	Torque
Bolt M8x20	3 psc.	24.0 Nm
Bolt M8x30	2 psc.	24.0 Nm
Washer 8	5 psc.	
Sleeve	2 psc.	
Skid plate	1 pc.	
Cap	4 psc.	
Bracket 1	1 pc.	
Bracket 2	1 pc.	
Bracket 3	1 pc.	