

# INSTALLATION MANUAL

PRODUCT: REAR BUMPER  
MODEL: ISUZU D-MAX (2012-2019)  
PART NO: 2D.9102.1-NL



## CAUTION!

To reduce the risk of serious injury or damage, please read and understand all instructions and procedures before attempting to install or use this product.  
Safety glasses must be worn at all times during installation or maintenance of this product.  
Ensure all mounting bolts are tensioned after 1000 kms and periodically there after.

## NOTICE

Whilst the bumper adds additional protection to your vehicle, precautionary measures still need to be taken to avoid damage.  
Always drive to the conditions and your surroundings.

## REAR BUMPER

<b>Part Number:</b>	2D.9102.1-NL
<b>Suited to vehicle:</b>	Isuzu D-Max (2012-2019)
<b>Material:</b>	Aluminum/Steel
<b>Dimensions:</b>	1685x445x393 mm
<b>Weight:</b>	39kg



## SAFETY NOTICE

- \*The Bumper is designed to compliment the use and design of the specified vehicle under conditions specified by the car manufacturer.
- \* While driving the vehicle at any speed, collision with any other vehicle, animal or object must always be avoided.
- \* Following any collision with any other vehicle, animal or object, Bumper and the vehicle must be inspected by a specialized or suitably qualified vehicle repairer for possible damage to the components and assemblies in order to confirm suitability for further use of the vehicle.
- \* It is strongly recommended that you do not operate a vehicle with a damaged bumper or its components. In the case of damage, please contact the nearest Rival authorised stocklist.
- \* The operation of a vehicle where the bumper is not properly attached and fastened to the vehicle, or where the bumper has been damaged, is extremely dangerous and must be avoided at all cost.
- \* It is recommended that you carry out regular inspections of all the bumper elements such as all bolts, wires, connectors.

## INSTALLATION NOTICE

- \* The Bumper must be mounted and affixed to the vehicle according to the installation manual provided by an authorized Rival dealer or Motor dealer or by a special vehicle repairer or fitment center.
- \* Personal safety during the installation process must be adhered to at all times and the use of personal safety equipment is highly recommended.
- \* Do not install this bumper on car models other than those allowed in this manual.

## REQUIRED TOOLS

- \* Basic tool kit
- \* Angle grinder

## TORQUE SETTING

- \* M6 9 Nm
- \* M10 44 Nm
- \* M12 77 Nm

## IMPORTANT NOTE

If the REAR Bumper is to be colour coded it is the installers responsibility to check the fitment and alignment of the Bumper to the vehicle before painting is done. It is the painters responsibility to ensure that the Bumper is correctly prepared and high filled to achieve a quality finish. RIVAL is not liable for any costs associated with colour coding, or fitment issues post colour coding.

## \*TOW BAR INSTALLATION

The bumper design provides for installation of the American-style tow bar – square 2 (50.8 mm).

Maximum allowable vertical static load on the tow bar should be not more than 350 kg.

Maximum towing capacity:

Unbraked towing capacity, kg:	Braked towing capacity, kg:
750	3500

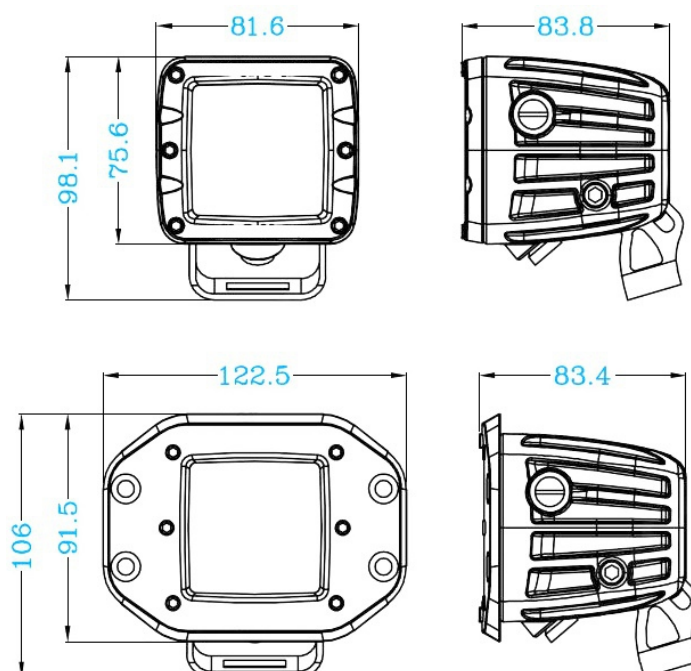
## Caution!

**Towing of the trailer which is incompliant with specified requirements may result in damage to tow bar or bumper.**

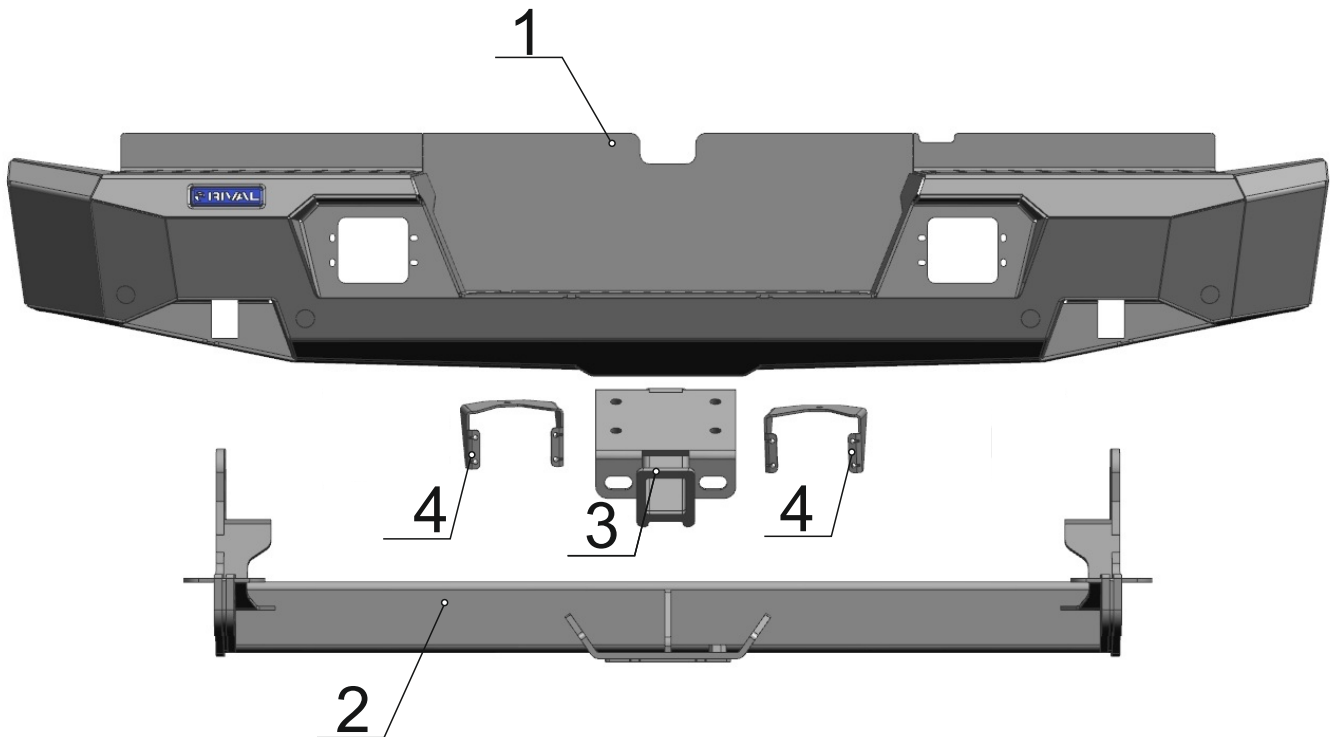
## \*LIGHTS

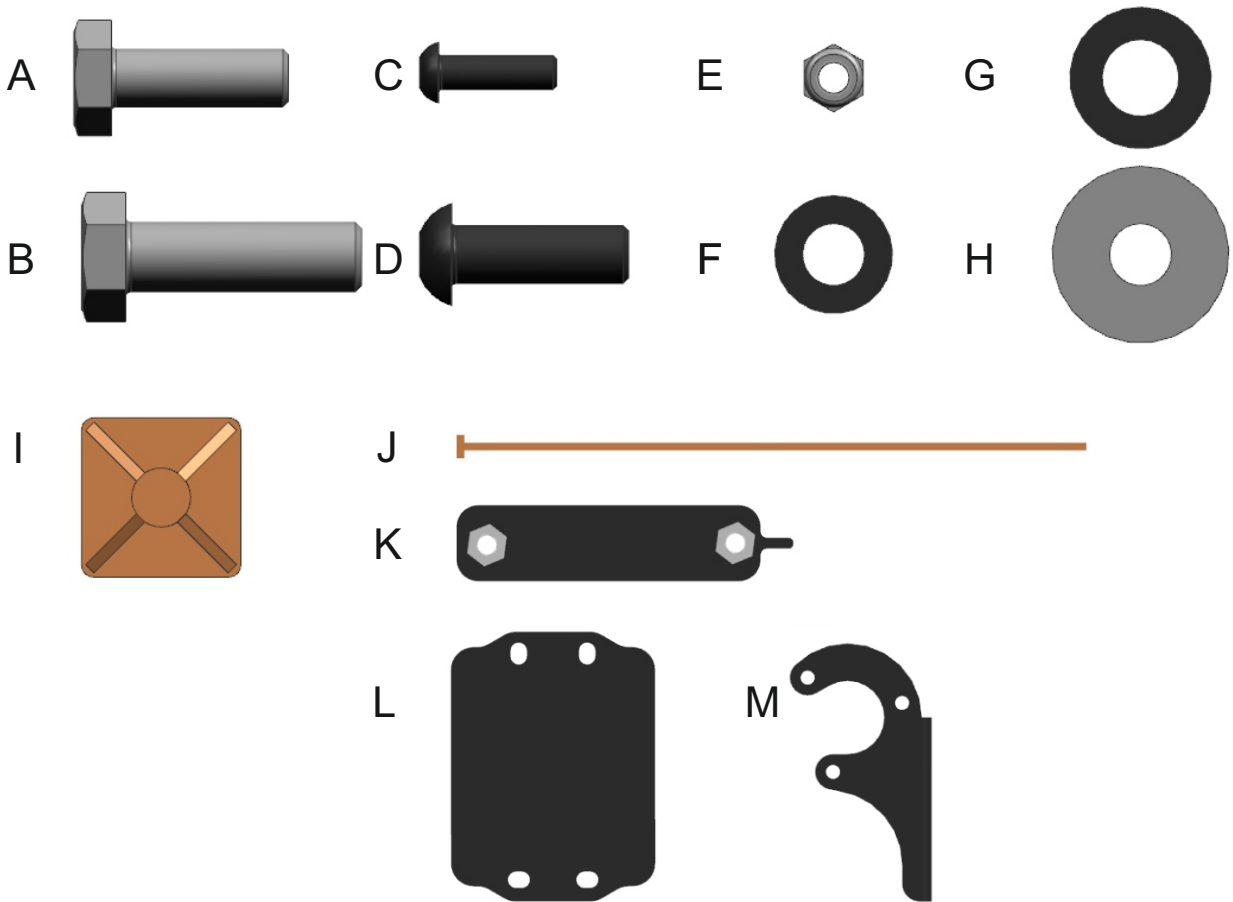
The bumper provides for the light mounting points.

**Overall dimensions of the lights under installation:**



- 1. Aluminum bumper body.....1 pc.
- 2. Bumper bracket.....1 pc.
- 3. Tow bar square.....1 pc.
- 4. Light bracket.....2 pc.





A. Bolt M10x30 (2 pc preinstalled, as travel hardware, in bumper bracket (pos.2) and aluminum bumper body (pos.1)).....	4 pc.
B. Bolt M12x1,25x40.....	4 pc.
C. Screw M6x20.....	8 pc.
D. Screw M10x30.....	4 pc.
E. Nut M6.....	8 pc.
F. Washer M10.....	4 pc.
G. Washer M12 (2 pc preinstalled, as travel hardware, in bumper bracket (pos.2) and aluminum bumper body (pos.1)).....	4 pc.
H. Washer penny M10.....	4 pc.
I. Adjustment shim .....	4 pc.
J. Plastic clamp.....	4 pc.
K. Insert bracket.....	2 pc.
L. Lamp plug.....	2 pc.
M. Tow bar socket bracket .....	1 pc.



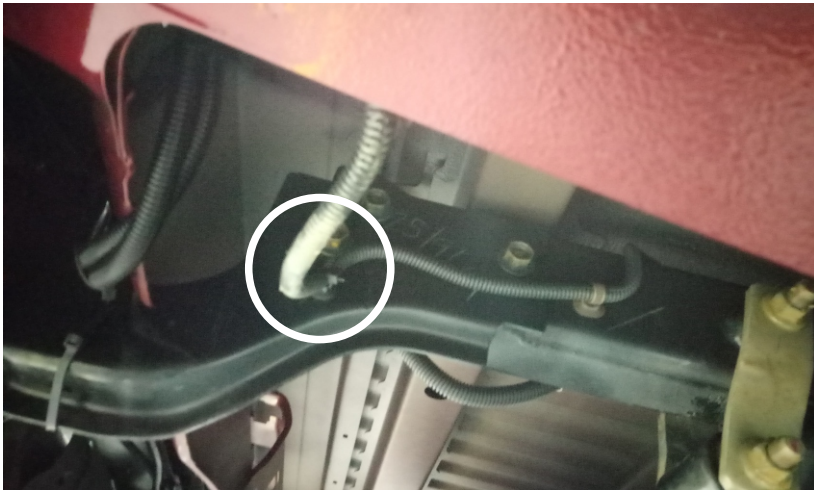
1. Remove the license plate lights. Disconnect the lights.



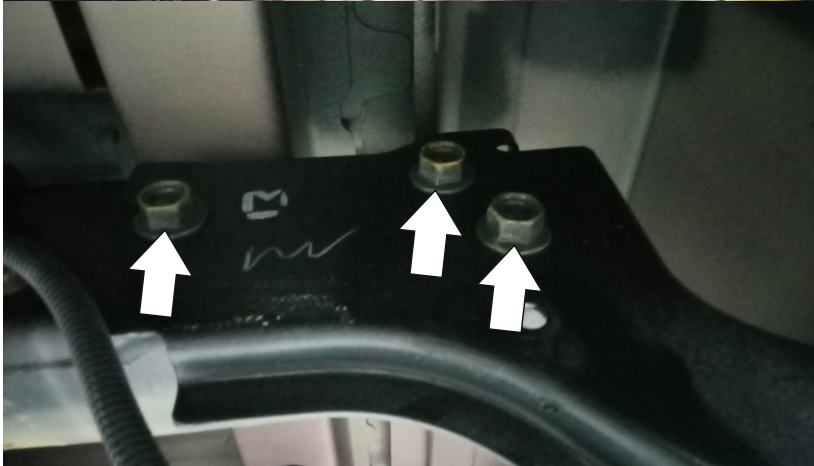
2. Disconnect park sensors.



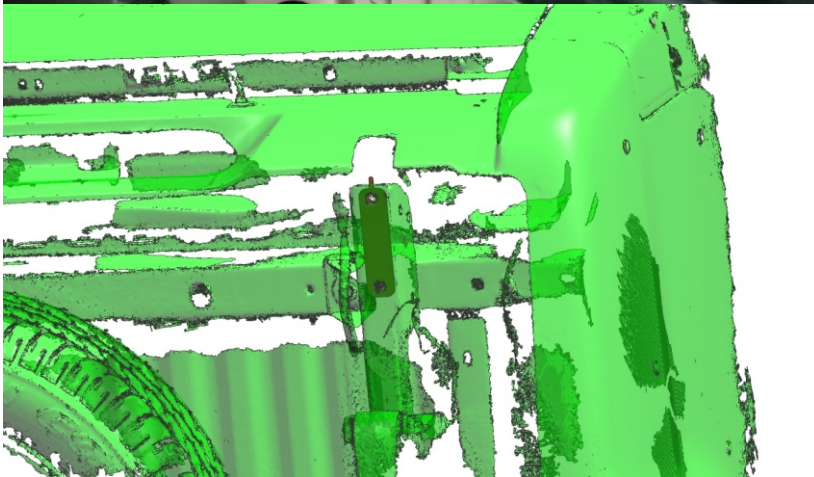
3. Disconnect the connector on the right side of the vehicle.



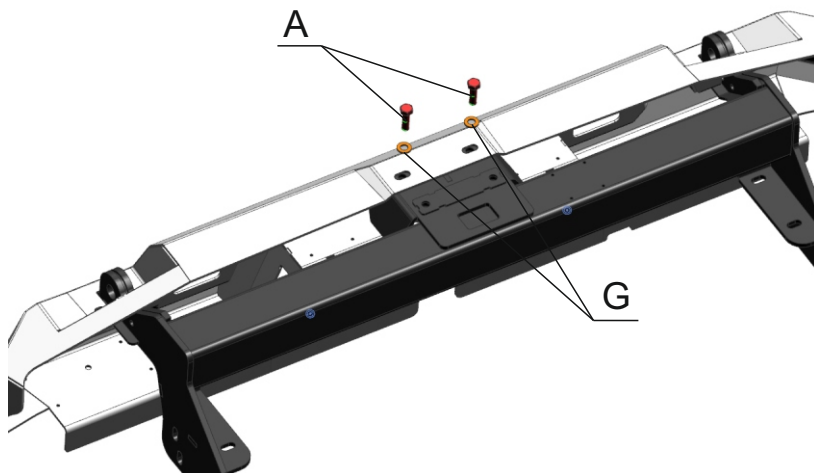
4. Remove wires and clips from the bumper



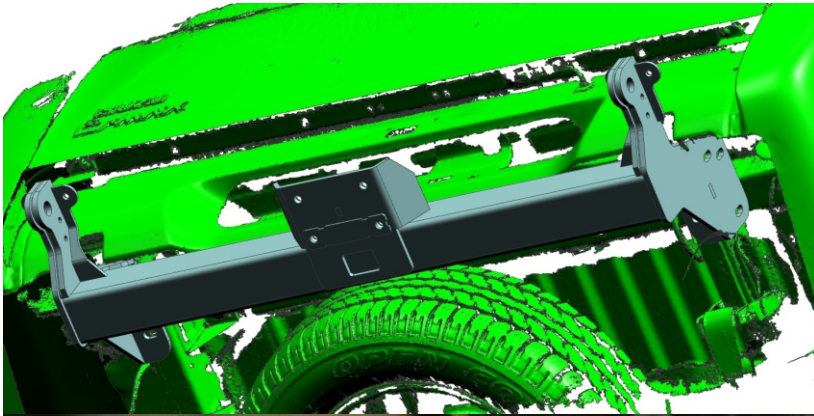
5. Remove bolts shown on the picture, from the both left and right sides of the vehicle.  
Remove bumper



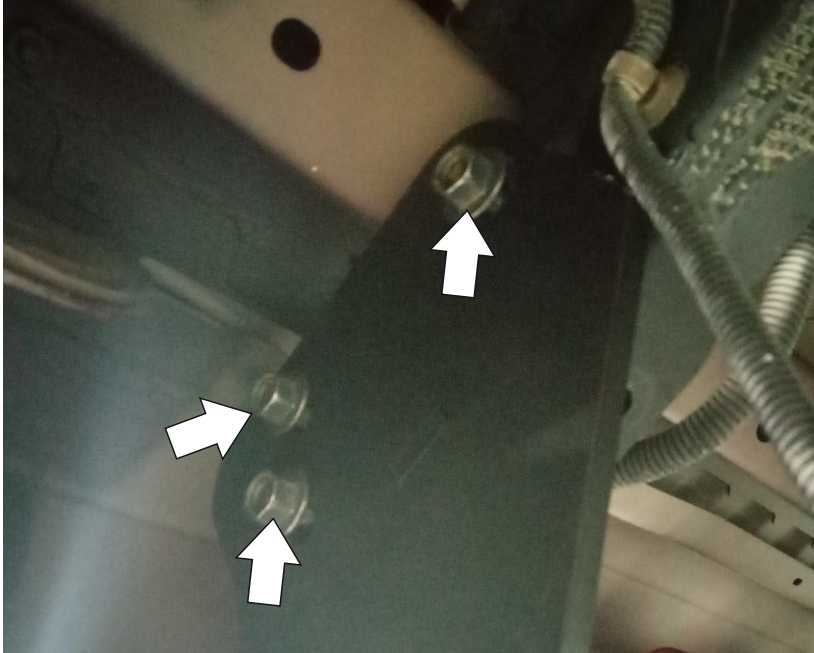
6. Install insert brackets (N) into car frame.



7. Unscrew bolts M12x1,25x40 (pos.A) and washers 12 (pos.G), preinstalled as travel hardware, in bumper bracket (pos.2) and aluminum bumper body (pos.1).  
Set aside to reuse later on.



8. Install bumper bracket (2).



9. Fix bumper bracket (2) using OE bolts.  
Do not tighten yet.



10. Fix bumper bracket (2) using bolts M10x30 (A) washers penny 10 (H) and insert brackets (K), that was mount car frame.  
Adjust the bracket.  
Tighten bolts after that.





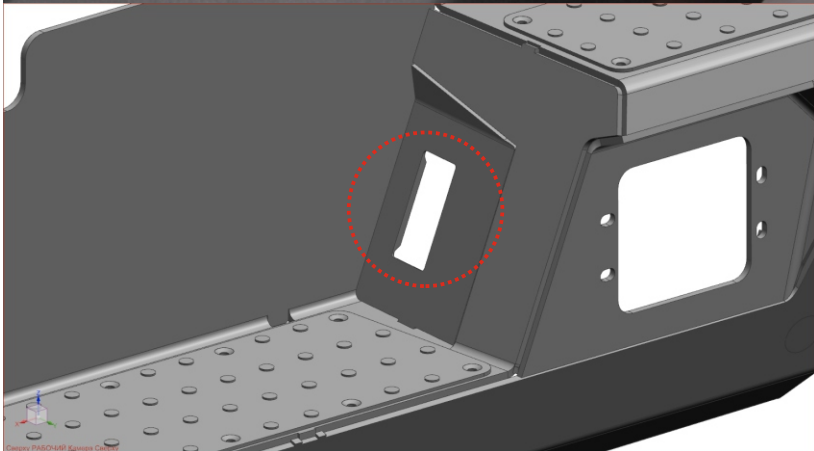
11. \*Mount LED lights into brackets. Tighten the joints.

\* LED lights are not supplies with bumper



12. \*Install the brackets (4) with LED lights onto the bumper (1) using screws M6x20 (C). Adjust to desired position.

\*LED lights are not supplies with bumper.



13. Install the license plate lights in the bumper body, as shown. Connect LED lights.



14. Mount bumper body (1) to the bracket (2). Fix it using screws M10x30 (D) and washers 10 (F). Do not tighten yet.



15. Install the tow bar (3) and socket bracket (M) to the bracket (2). Fix it using bolts M12x40 (B).  
Do not tighten yet.  
Adjust the bumper.  
Tighten bolts after that.



16. Remove 4 pcs. parking sensors fixation out of OEM bumper.



17. Hummer plugs out of bumper (1).  
Install parking sensors fixation.  
Fix parking sensors fixation if needed.  
Install parking sensors.  
Connect parking sensors.

Before operating a vehicle fitted with a RIVAL Bumper:

- make sure all fittings are tightened
- check all electrical wiring attached to lights

