

\*For more info about compatibility with other models  
please see the sticker on the skid plate

## RANGE ROVER SPORT

No.: 3110.1/6 Radiator + engine  
3109.1/6 Gearbox + transfer

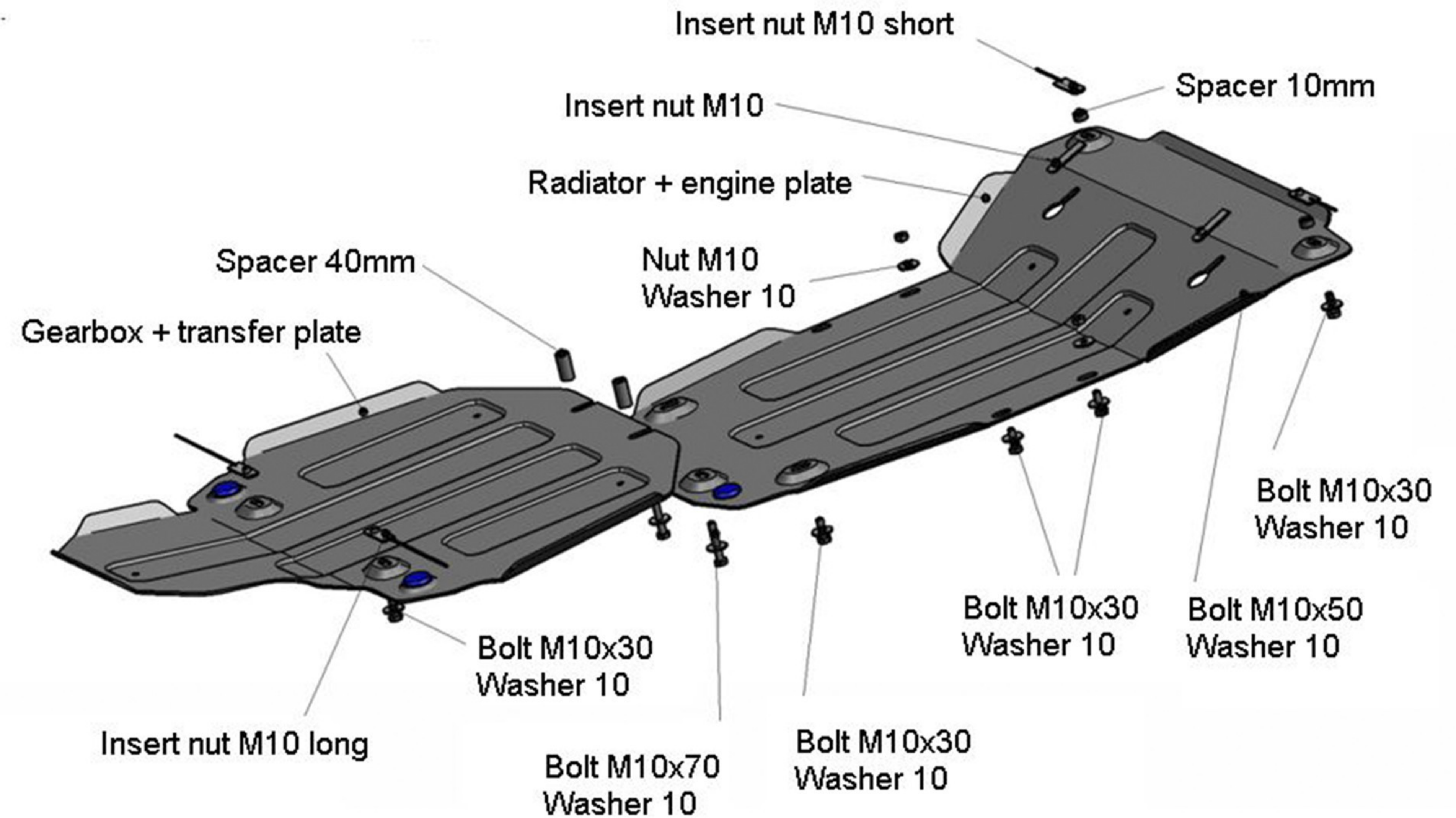
Year: 2005-2013

Engine: All

Transmission: All

## FITTING KIT

1. Bolt M10x30.....	10 pc
2. Bolt M10x50.....	2 pc
3. Bolt M10x70.....	2 pc
4. Nut M10.....	2 pc
5. Washer 10.....	16 pc
6. Spacer 10mm.....	2 pc
7. Spacer 40mm.....	2 pc
8. Insert nut M10.....	2 pc
9. Insert nut M10 short.....	2 pc
10. Insert nut M10 long.....	2 pc



## INSTALLATION INSTRUCTIONS

1. Remove OE guards of engine and gearbox.
2. Screw bolts M10x50 into insert nuts M10, then place them in front part of underframe.
3. Place insert nuts M10 short above apertures in front end of underframe.
4. Put radiator + engine plate on mounted bolts M10x50. Fix its rear end with bolts M10x70 and spacers 40mm, then fix its front end to mounted insert nuts M10 short with bolts M10x30 and spacers 10mm.
5. Fix center and rear parts to OE fixing points with bolts M10x30.
6. Place insert nuts M10 long above apertures in cross bar.
7. Put Front end of gearbox + transfer plate under radiator + engine plate, fix its rear end to mounted long insert nuts with bolts M10x30.
8. Tighten all screws (50 Nm for M10, 30 Nm for M8, 10 Nm for M6). Do not use pneumatic or power tools to tighten.

**IMPORTANT:** Skid Plate installations should only be done by a qualified person and it is the responsibility of this person to ensure correct fitment.



WWW.RIVAL4X4.COM