

INSTALLATION MANUAL

PRODUCT: **FRONT BUMPER**
MODEL: **ISUZU D-MAX (2017-2019)**
PART NO: **2D.9101.1-NL**



CAUTION!

To reduce the risk of serious injury or damage, please read and understand all instructions and procedures before attempting to install or use this product.
Safety glasses must be worn at all times during installation or maintenance of this product.
Ensure all mounting bolts are tensioned after 1000 kms and periodically there after.

NOTICE

Whilst the bumper adds additional protection to your vehicle, precautionary measures still need to be taken to avoid damage.
Always drive to the conditions and your surroundings.

ADR69 COMPATIBLE
AIR BAG COMPLIANT

FRONT BUMPER

Part Number:	2D.9101.1-NL
Suited to vehicle:	ISUZU D-MAX (2017-2019)
Material:	Aluminum / steel
Dimensions:	1868 x 688 x 503 mm
Weight:	46 kg
Compatibility:	RIVAL 9110.1 Underbody armor



SAFETY NOTICE

- * The RIVAL Bumper is designed to compliment the use and design of the specified vehicle under conditions specified by the car manufacturer.
- * While driving the vehicle at any speed, collision with any other vehicle, animal or object must always be avoided.
- * Following any collision with any other vehicle, animal or object, the RIVAL Bumper and the vehicle must be inspected by a specialized or suitably qualified vehicle repairer for possible damage to the components and assemblies in order to confirm suitability for further use of the vehicle.
- * It is strongly recommended that you do not operate a vehicle with a damaged bumper or its components. In the case of damage, please contact the nearest RIVAL dealer.
- * The operation of a vehicle where the bumper is not properly attached and fastened to the vehicle, or where the bumper has been damaged, is extremely dangerous and must be avoided at all cost.
- * It is recommended that you carry out regular inspections of all the bumper elements such as all bolts, wires, connectors.

INSTALLATION NOTICE

- * The RIVAL Bumper must be mounted and affixed to the vehicle according to this installation manual.
- * Personal safety during the installation process must be adhered to at all times and the use of personal safety equipment is highly recommended.

REQUIRED TOOLS

- * Basic tool kit
- * Electric drill
- * Angle grinder
- * Drill set

- * Torque wrench
- * Box knife
- * Marker

TORQUE SETTING

- * M6 9 Nm
- * M10 44 Nm
- * M12 77 Nm

*ADR69 AND AIR BAG SYSTEM

The RIVAL Bumper has been tested and certified to be compatible with ADR69 and will not affect the operation of the Air bag System on this vehicle. This product or mounting brackets must not be modified in any way, and must be fitted in accordance with the installation instructions.

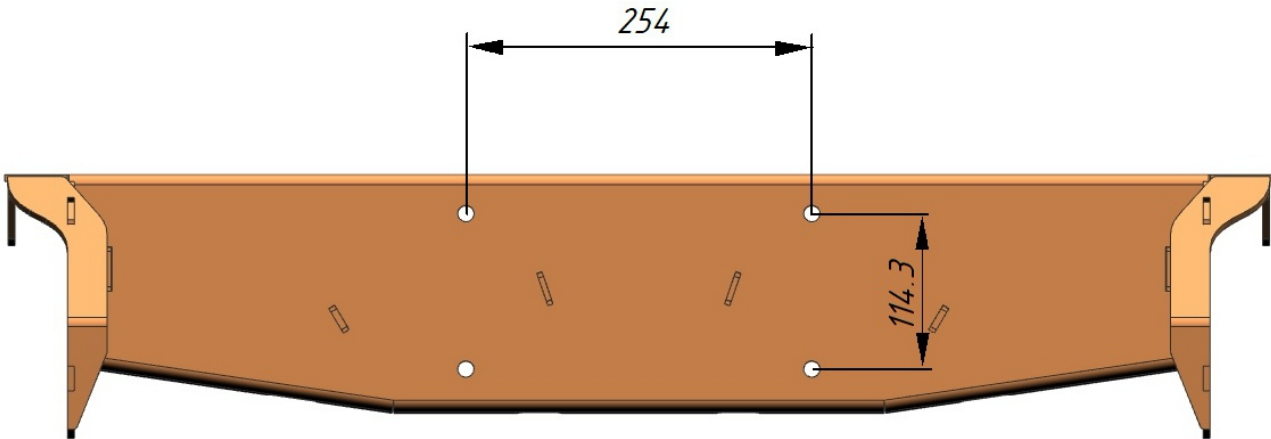
IMPORTANT NOTE

If the FRONT Bumper is to be colour coded it is the installers responsibility to check the fitment and alignment of the Bumper to the vehicle before painting is done. It is the painters responsibility to ensure that the Bumper is correctly prepared and high filled to achieve a quality finish. RIVAL is not liable for any costs associated with colour coding, or fitment issues post colour coding.

*WINCH INSTALLATION

A winch with a pull capacity of up to 12000 lb can be installed with the RIVAL Bumper. It is not advisable to exceed this pulling capacity since damage, injury or death may occur where the 12000lb recommended capacity is exceeded. There is a special license plate holder supplied with the bumper which will provide access to the winch.

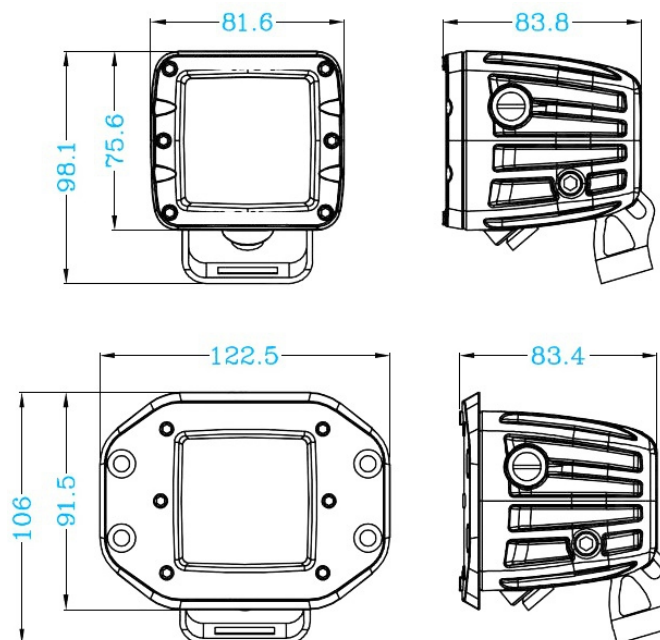
Winch measurements:



Winch size limits:

L 770 mm x W 130 mm x H 160 mm

Compatible with LED size below:



*RECOVERY POINTS



WARNING

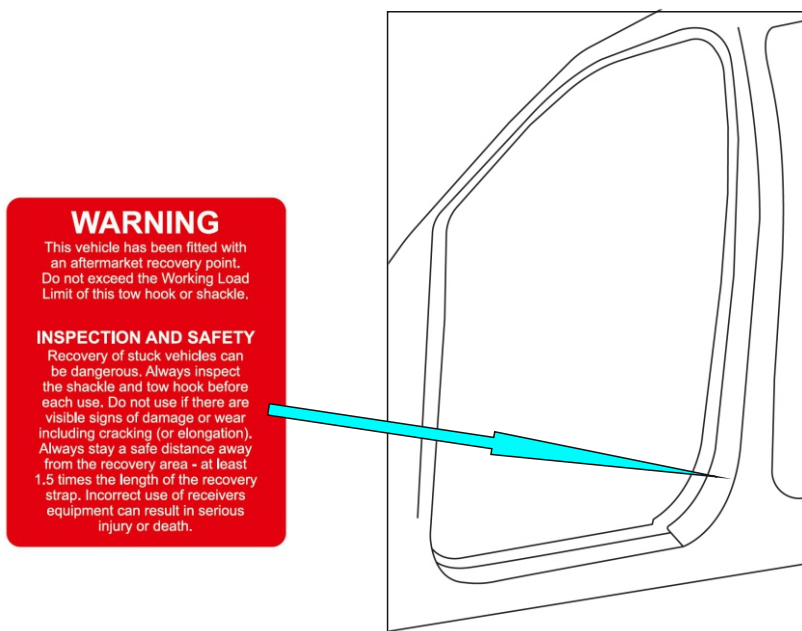
Do not exceed the Working Load Limit of these recovery points or shackle

INSPECTION AND SAFETY

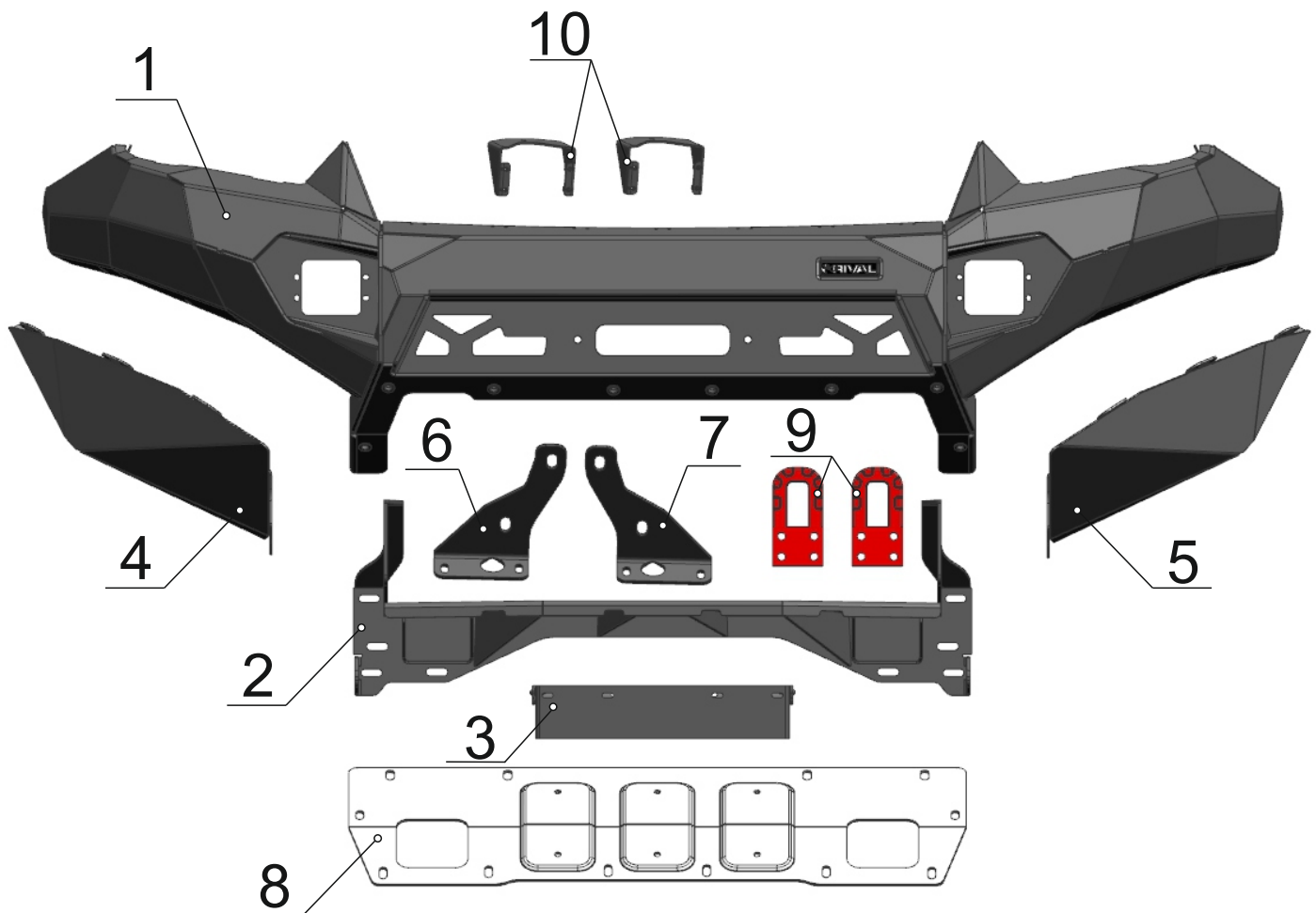
Recovery of stuck vehicles can be dangerous. Always inspect the shackle and recovery points before each use. Do not use if there are visible signs of damage or wear including cracking (or elongation). Always stay a safe distance away from the recovery area - at least 1.5 times the length of the recovery strap. Incorrect use of receivers equipment can result in serious injury or death.

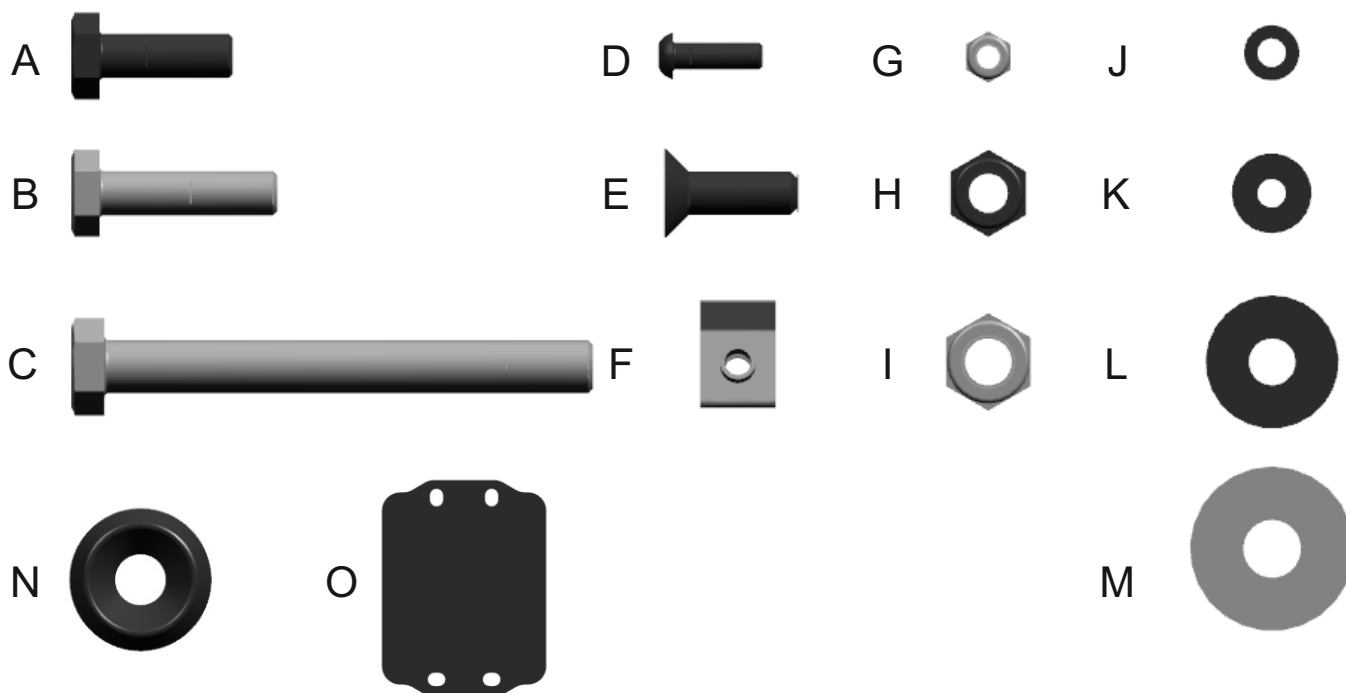
Always use recovery points as a matched pair teamed with an equalising bridle during any recovery situation.

Please attach this "Warning" label to the door aperture.



- 1. Aluminum bumper body.....1 pc.
- 2. Winch bracket.....1 pc.
- 3. License plate bracket1 pc.
- 4. Flap right.....1 pc.
- 5. Flap left.....1 pc.
- 6. Support bracket right.....1 pc.
- 7. Support bracket left.....1 pc.
- 8. Underguard plate.....1 pc.
- 9. Recovery points.....2 pc.
- 10. LED bracket.....2 pc.





A. Bolt M10x30.....	4 pc.
B. Bolt M10x40.....	8 pc.
C. Bolt M12x110.....	4 pc.
D. Screw M6x20 round-head.....	22 pc.
E. Screw M10x30 countersunk-head.....	14 pc.
F. U-nut M6.....	12 pc.
G. Nut M6.....	2 pc.
H. Nut M10.....	14 pc.
I. Nut M12.....	4 pc.
J. Washer 6.....	18 pc.
K. Washer penny 6.....	6 pc.
L. Washer penny 10.....	30 pc.
M. Washer penny 12.....	8 pc.
N. Countersunk washer.....	14 pc.
O. LED light cap.....	2 pc.



1. Open the bonnet.
2. Disconnect the negative battery terminal cable.



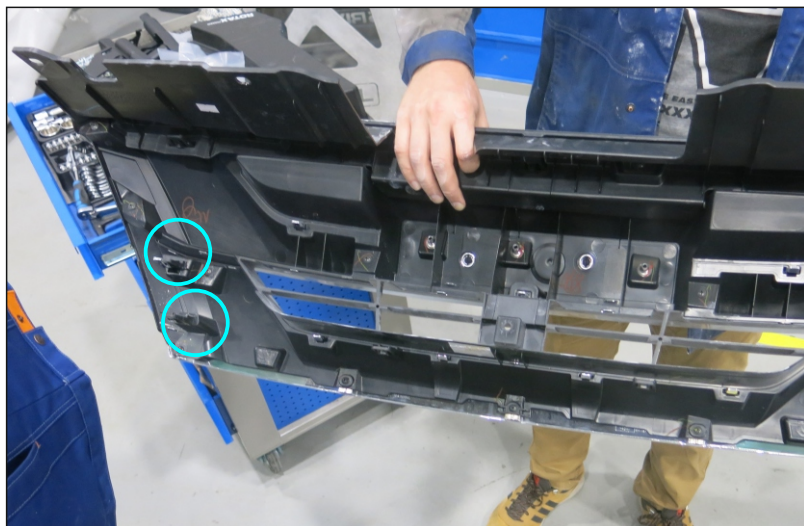
3. Remove 4 plastic clips for from radiator grille

* Set bolts aside for re-use later on

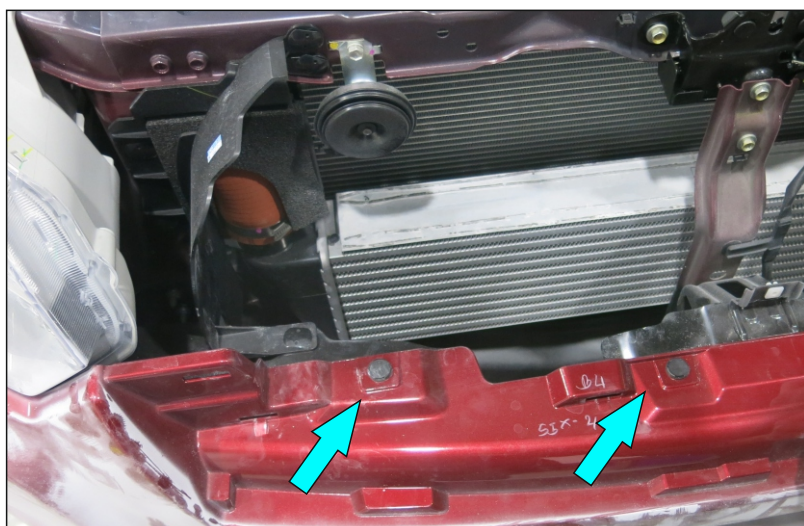


4. Unscrew radiator grille.

* Set bolts aside for re-use later on



5. Remove radiator grille by detaching 2 latches from bumper on each side



6. Remove plastic eyelets from mid-bumper, 2 pcs. on each side.



7. Unscrew all fastening elements on **each** bumper sides (see step 8 – step 11).



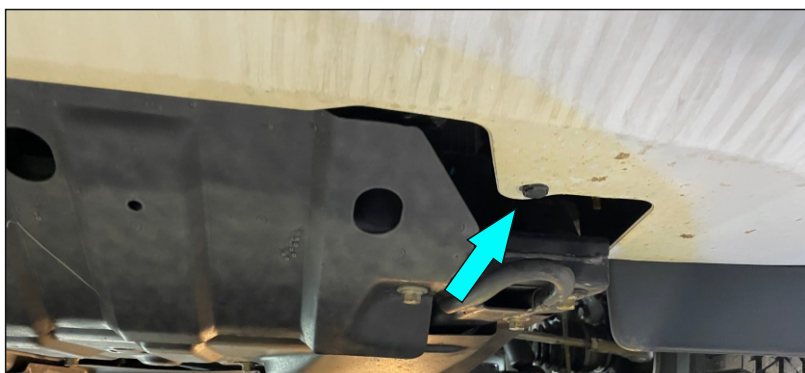
8. Remove plastic eyelets which attach mudguard to bumper (see step 7 No. 1).



9. Unscrew the screw which attaches mudguard to bracket (see step 7 No. 2).



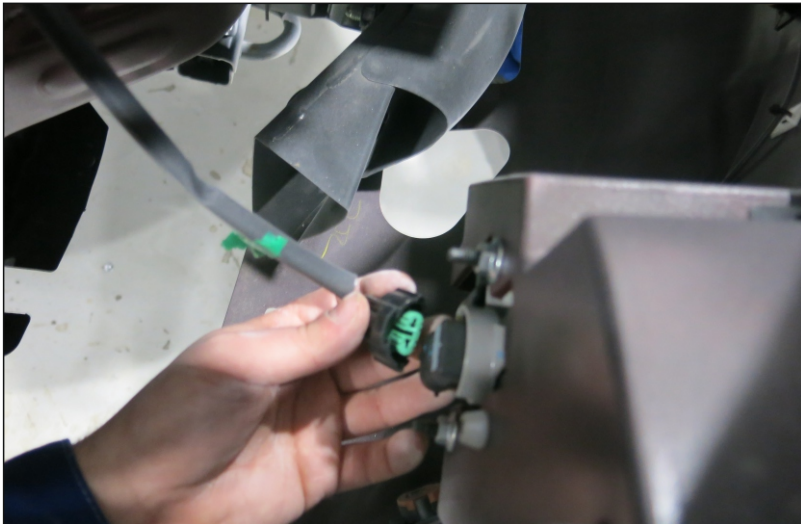
10. Unscrew the nut which attaches mudguard to bumper (see step 7 No. 3).



11. Remove plastic eyelets which attach mudguard to bumper (see step 7 No. 4).



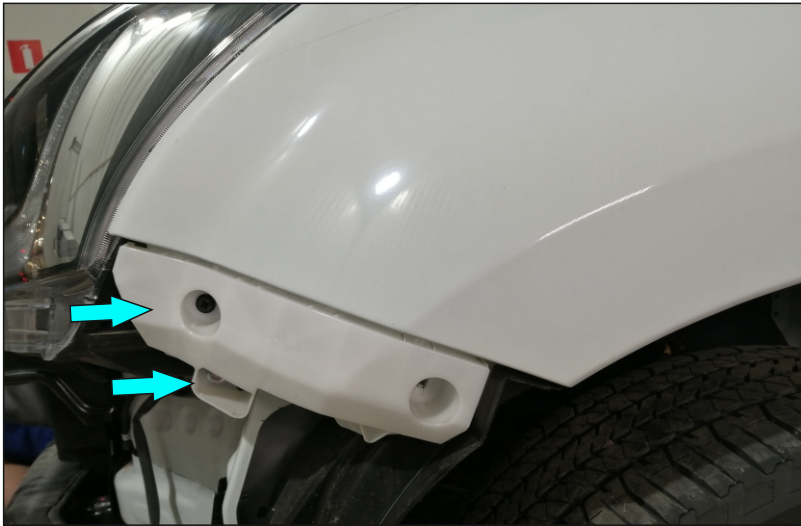
12. Detach bumper side plates from brackets on each side by pulling them.



13. Disconnect all electric plugs off the bumper.



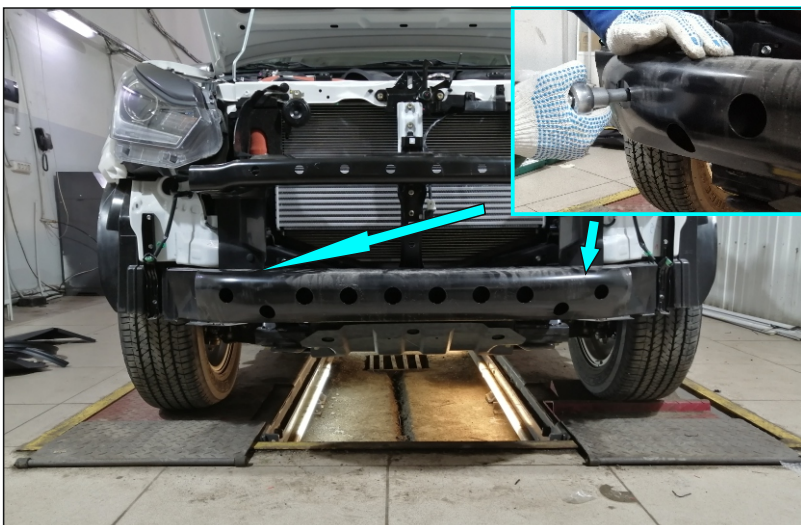
14. Remove factory bumper.



15. Remove plastic brackets which fasten the factory bumper on each side.



16. Remove brackets which fasten mudguards by unscrewing 3 bolts on each side.



17. Unscrew bolts which attach lower beam to frame.

*** Set bolts aside for re-use later on.**

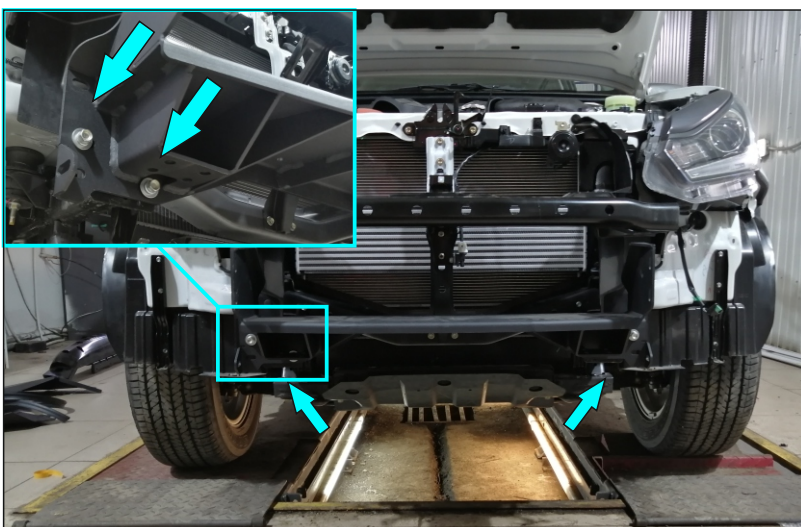


18. If there is a factory skid plate. Unscrew 3 screws which fasten skid plate to beam and remove the beam.

* **Set bolts aside for re-use later on.**



19. Unscrew 4 bolts and remove engine skid plate.

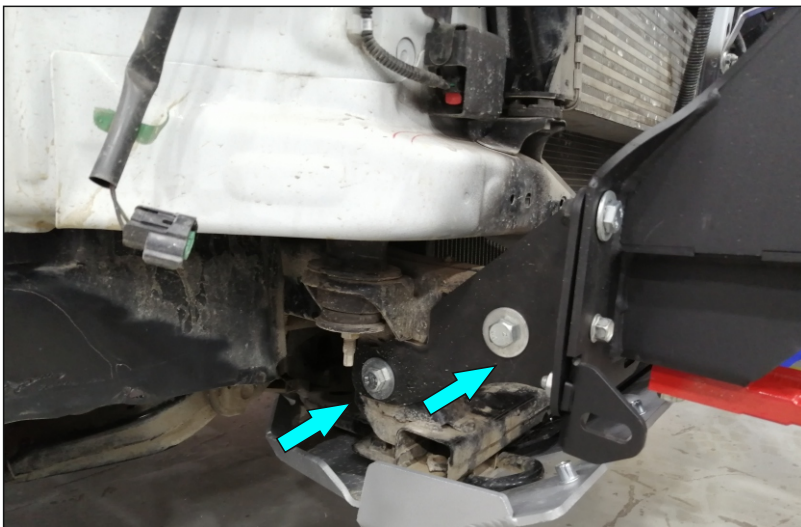


20. Install winch bracket (pos. 2) using factory bolts.

* **Do not tighten yet.**

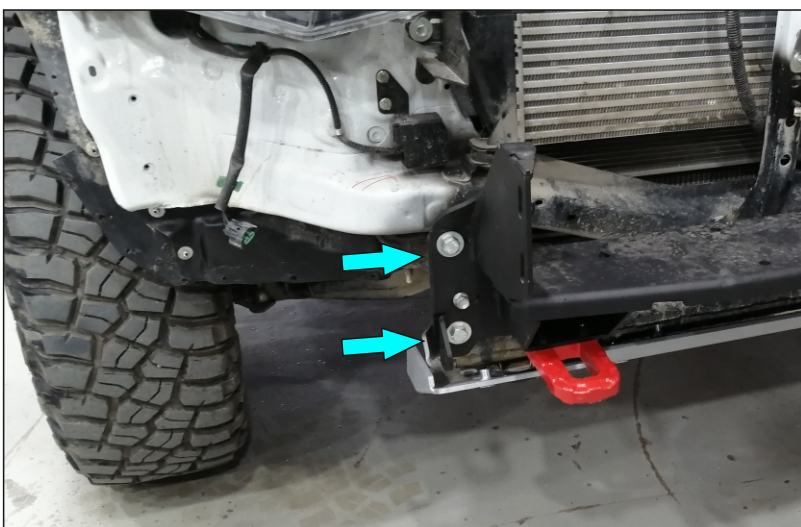


21. Mount recovery points (pos. 9) to winch bracket (pos. 2) by using M10x40 bolts (pos. B) and penny washers 10 (pos. L).



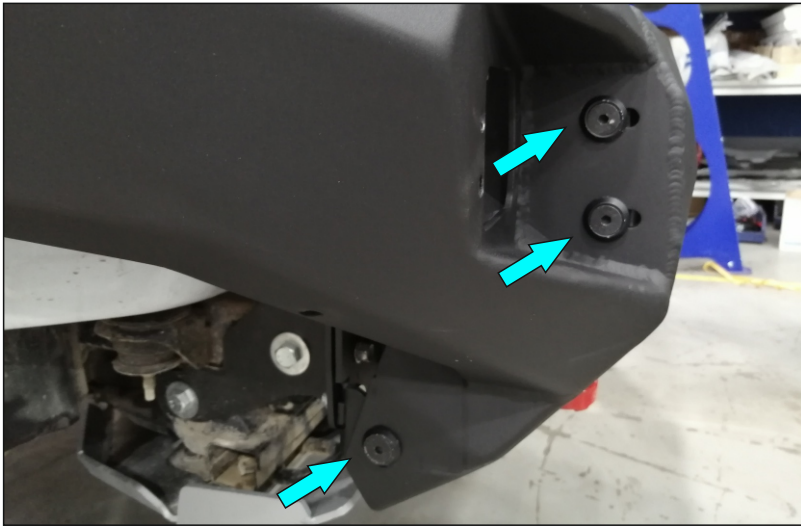
22. Install support brackets (pos. 6, 7), fasten them to winch bracket using M12x110 bolts (pos. C) and penny washers 12 (pos. M), nut M12 (pos. I).

*** Do not tighten yet.**



23. Mount support brackets (pos. 6, 7) to winch bracket (pos. 2) by using M10x30 bolts (pos. A) and penny washers 10 (pos. L), nut M10 (pos.H).

*** Tighten hardware after that.**

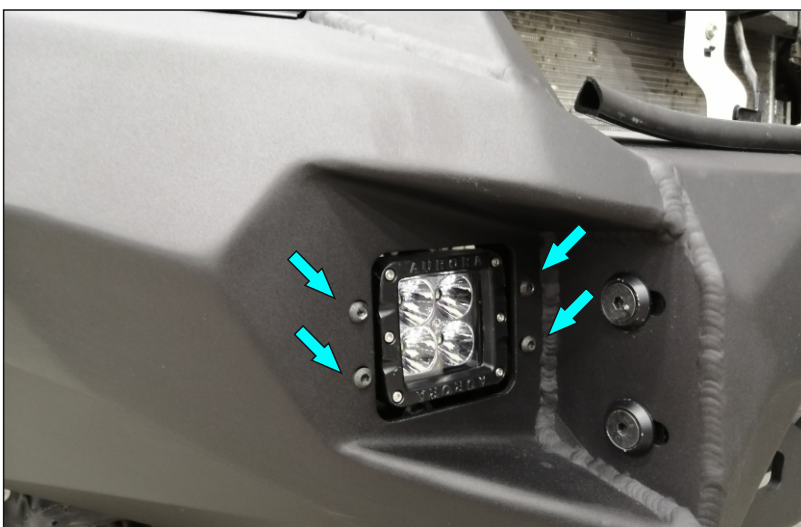


24. Install aluminum bumper body (pos. 1) to winch bracket (pos. 2), fix it M10x30 screws (pos. E), countersunk washers (pos. N), penny washers 10 (pos. L) and M10 nuts (pos. H).

*** Do not tighten yet.**



25. Adjust bumper until you have an equal gap between vehicle body and the bumper on both sides. Tighten bolts after that.



26. Install LED lights using LED brackets (pos. 10), fix them by M6x20 screws (pos. D) washers 6 (pos. J). Connect all electric plugs.

*** LED Lights are purchased separately.**



27. Install underguard plate (pos. 8) to aluminum bumper body (pos. 1) fix it with M10x30 screws (pos. E) and countersunk washers (pos. N).



28. Install U-nuts (pos. F) to the flaps (pos. 4, 5).



29. Install flaps (pos. 4, 5) on aluminum bumper body using M6x20 screws (pos. D) and washers 6 (pos. J), tightly press the flaps and mark cutting line and holes for drilling.

Remove flaps and cut plastic fenders along the previously marked cut lines.

Drill holes in plastic fenders for fastening them to flaps.

Re-install flaps and fasten in all locations by M6x20 screws (pos. D), penny washers 6 (pos. K).



30. Install license plate bracket (pos. 3). To do it, apply it to the bumper first, then mark locations for drilling and then drill mounting holes.

After that, attach license plate bracket (pos. 3) to bumper (pos. 1) by 6x20 screws (pos. D), M6 nuts (pos. G) and washers 6 (pos. J).



31. Install radiator grille using the factory hardware (see step 3).



32. Connect negative cable to vehicle battery.

Before operating a vehicle fitted with a RIVAL Bumper:

- make sure all fittings are tightened
- check winch operation
- check all electrical wiring attached to lights

