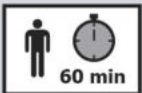
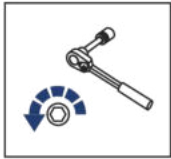


**2M.0002.1 ; 2M.0002.2 ; 2M.0002.3 ;
2M.0002.4 ; 2M.0002.5**





Regular fasteners



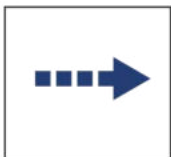
Regular fasteners



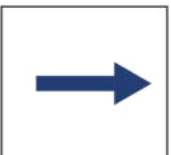
Screw a several turns



Loosen bolts



Movement Arrow


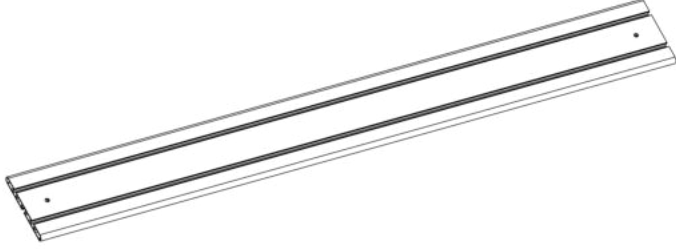

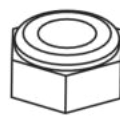







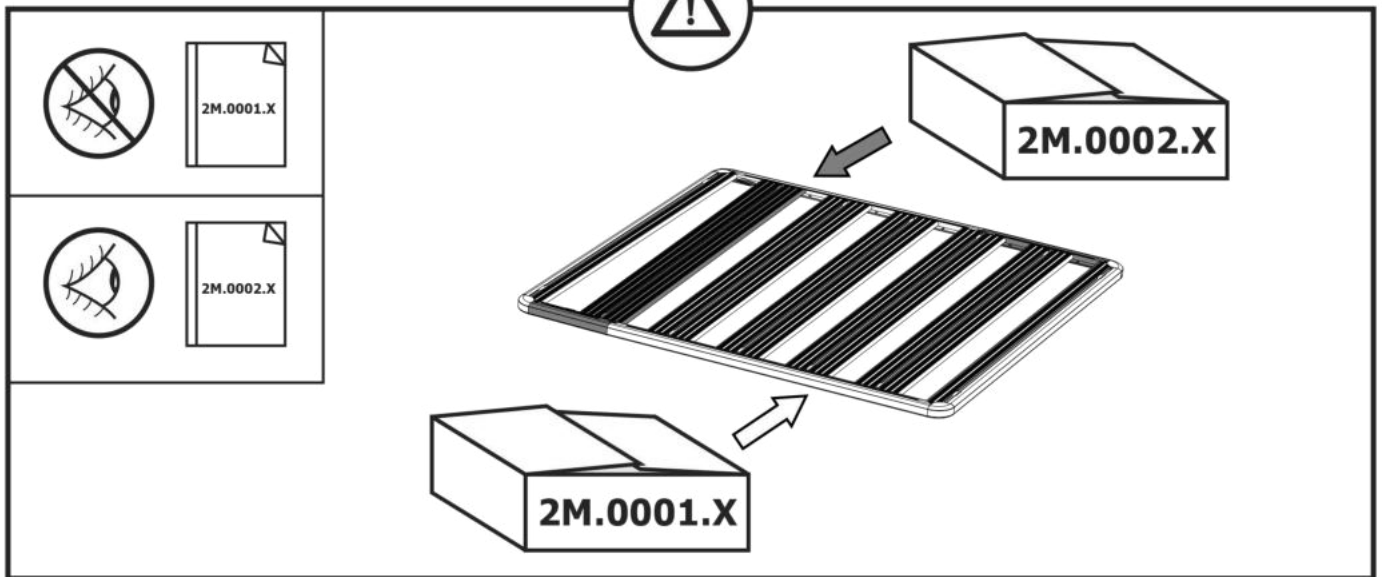
Location/Position Arrow

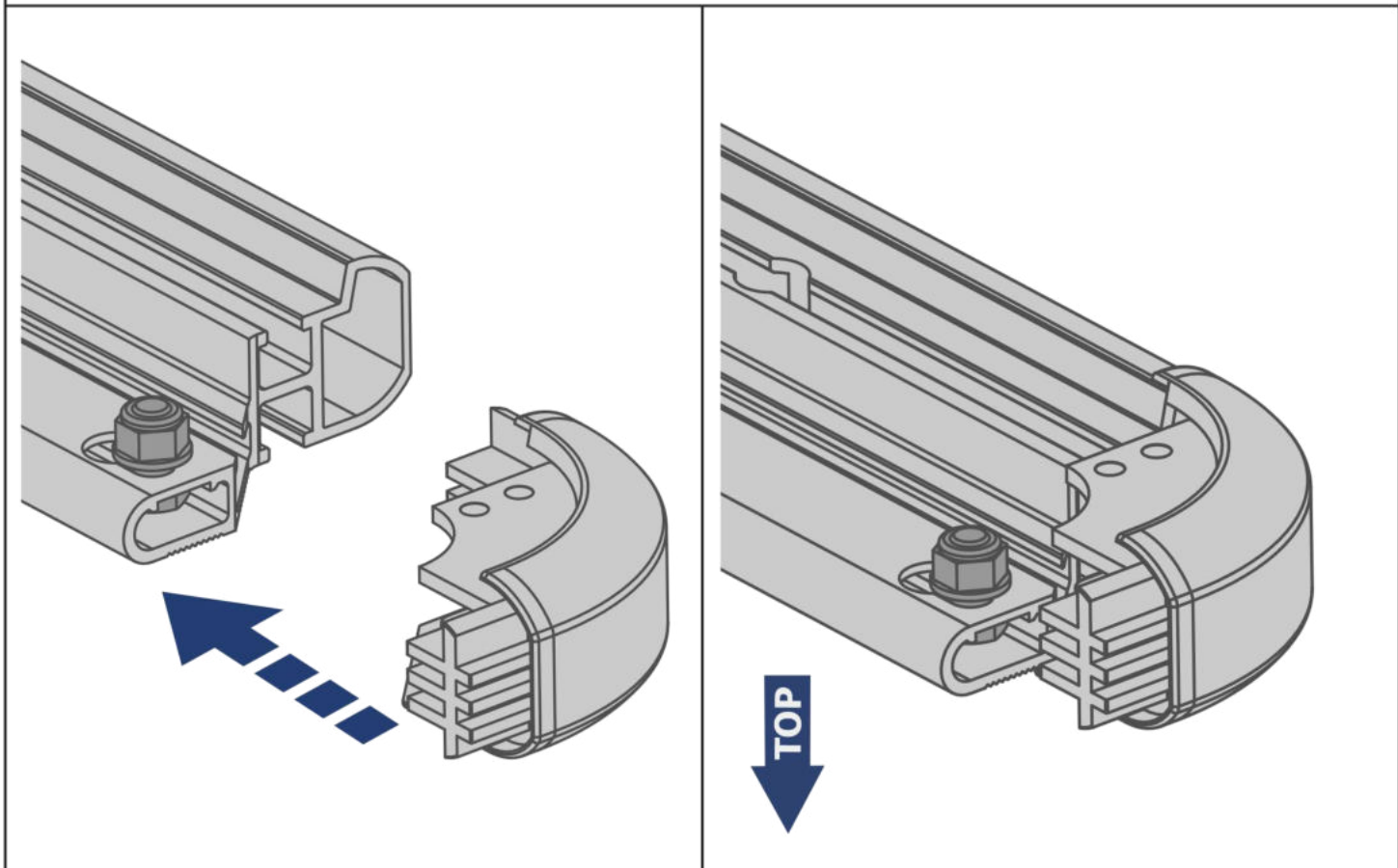
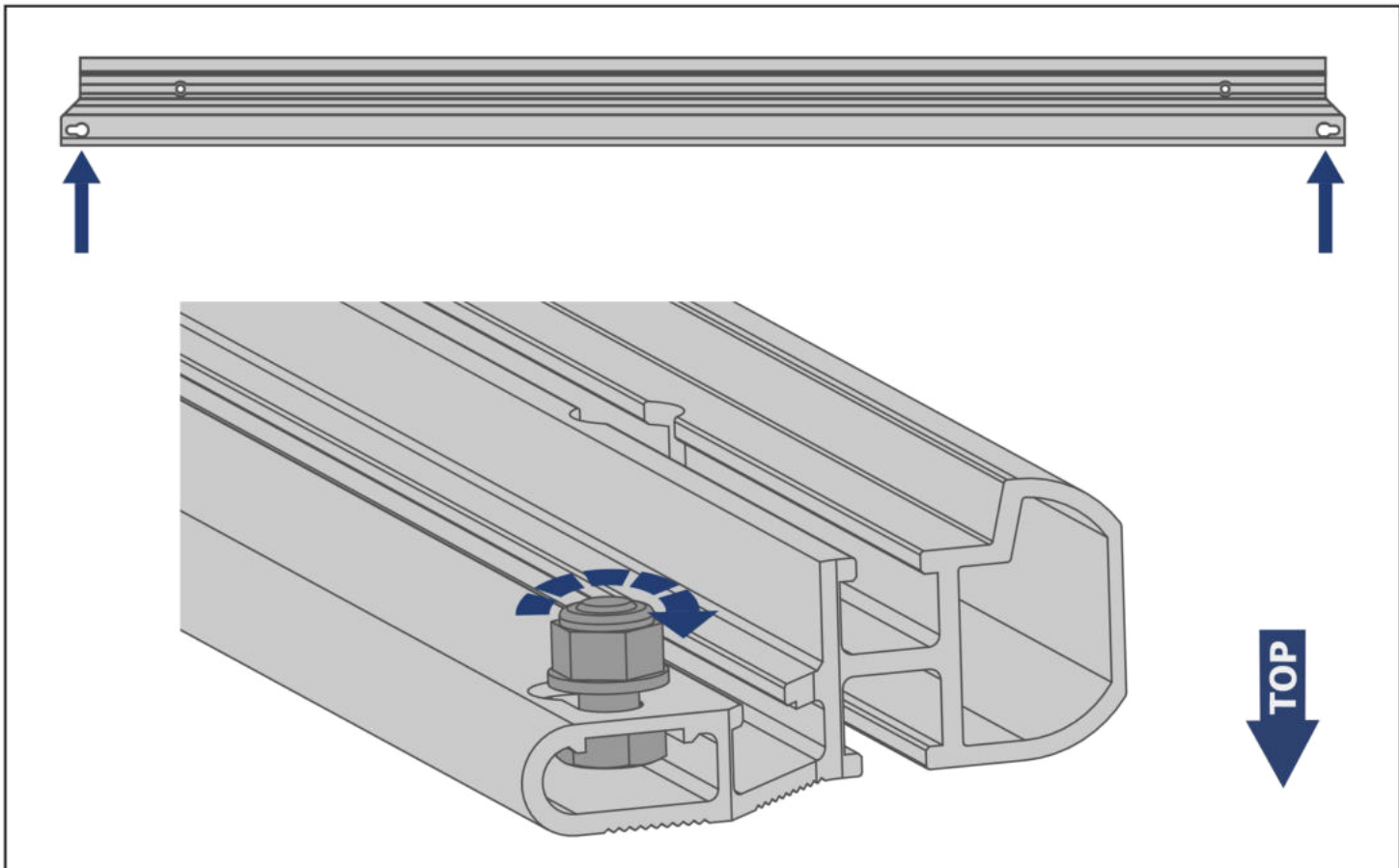


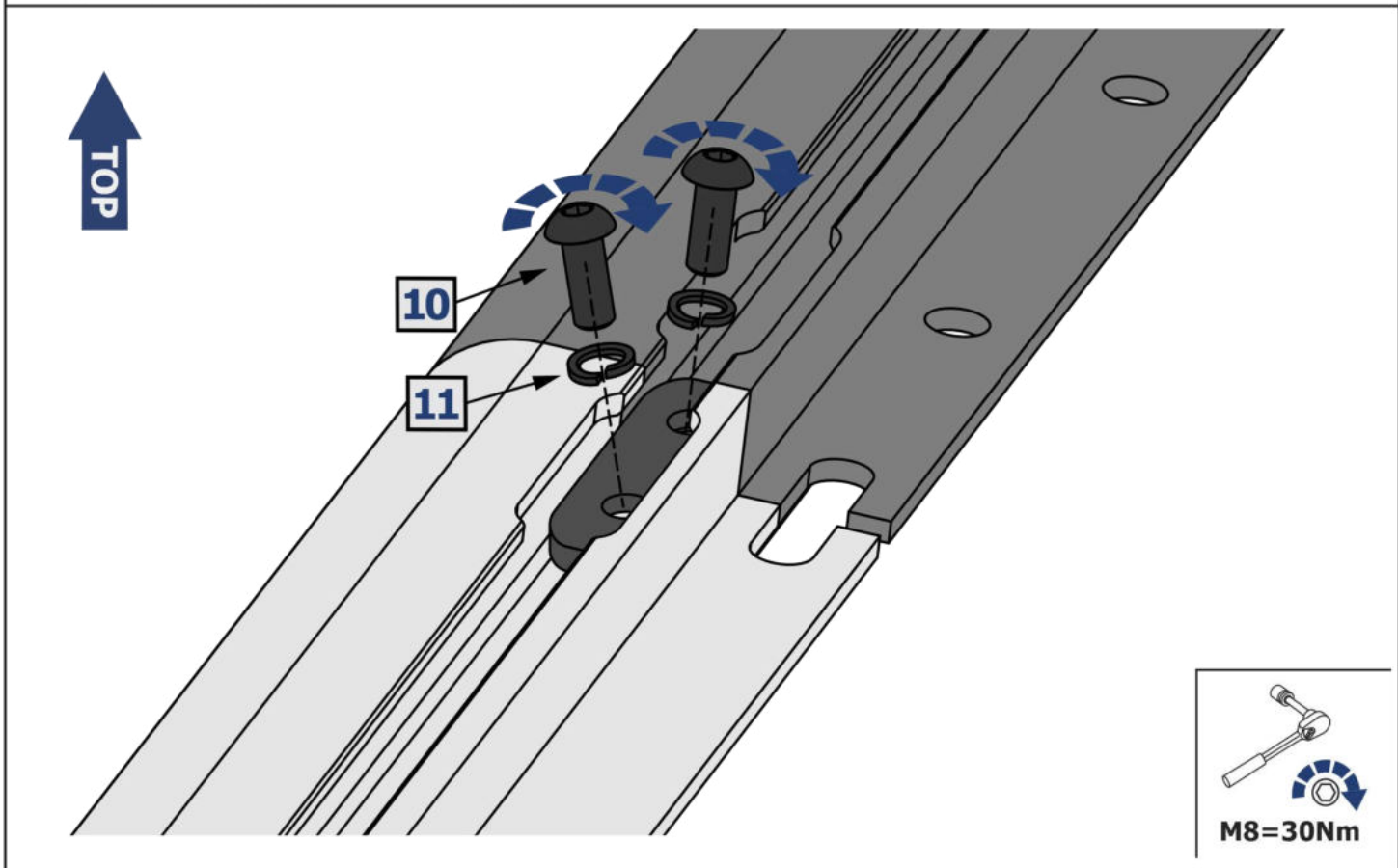
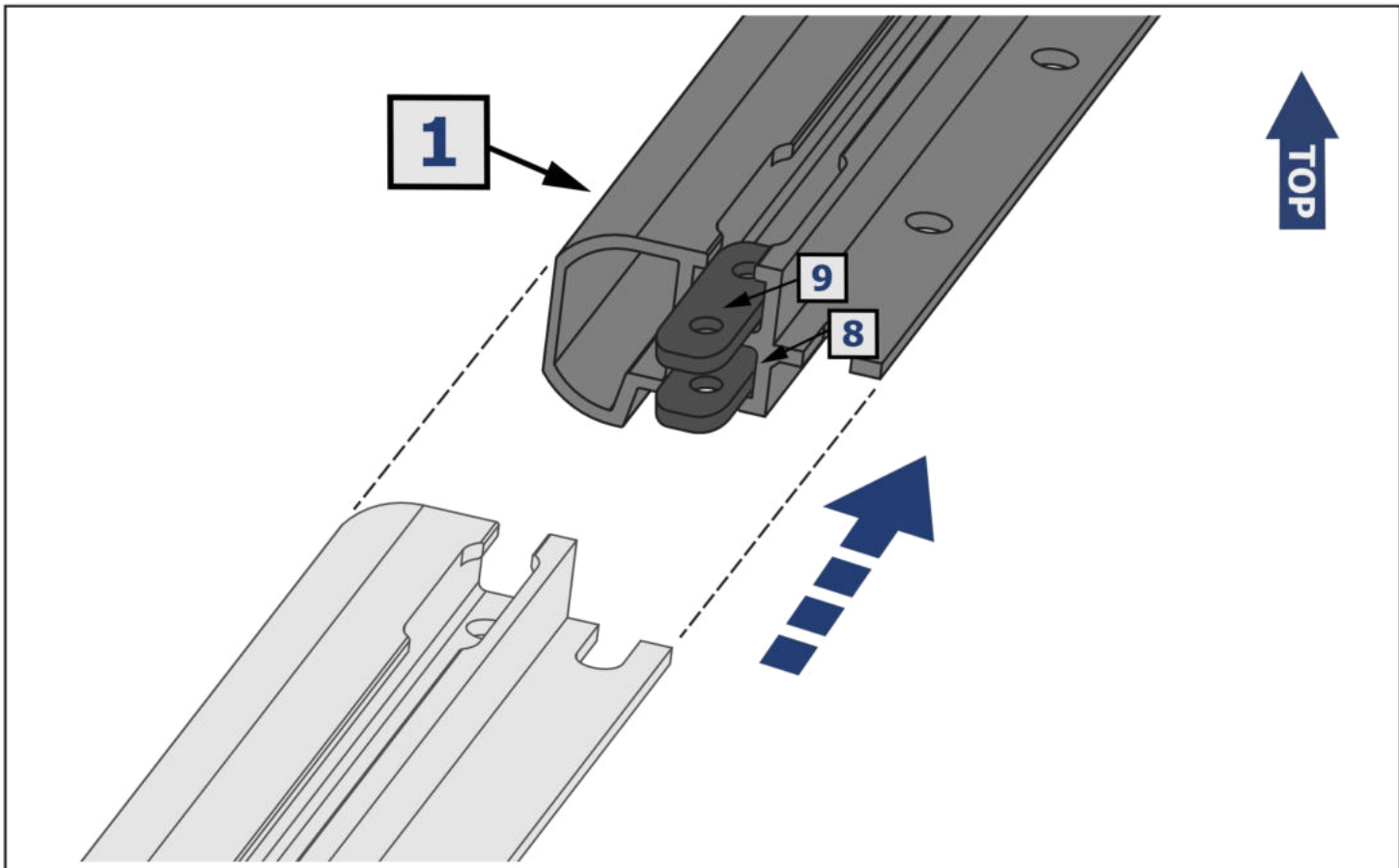
Screw Arrow

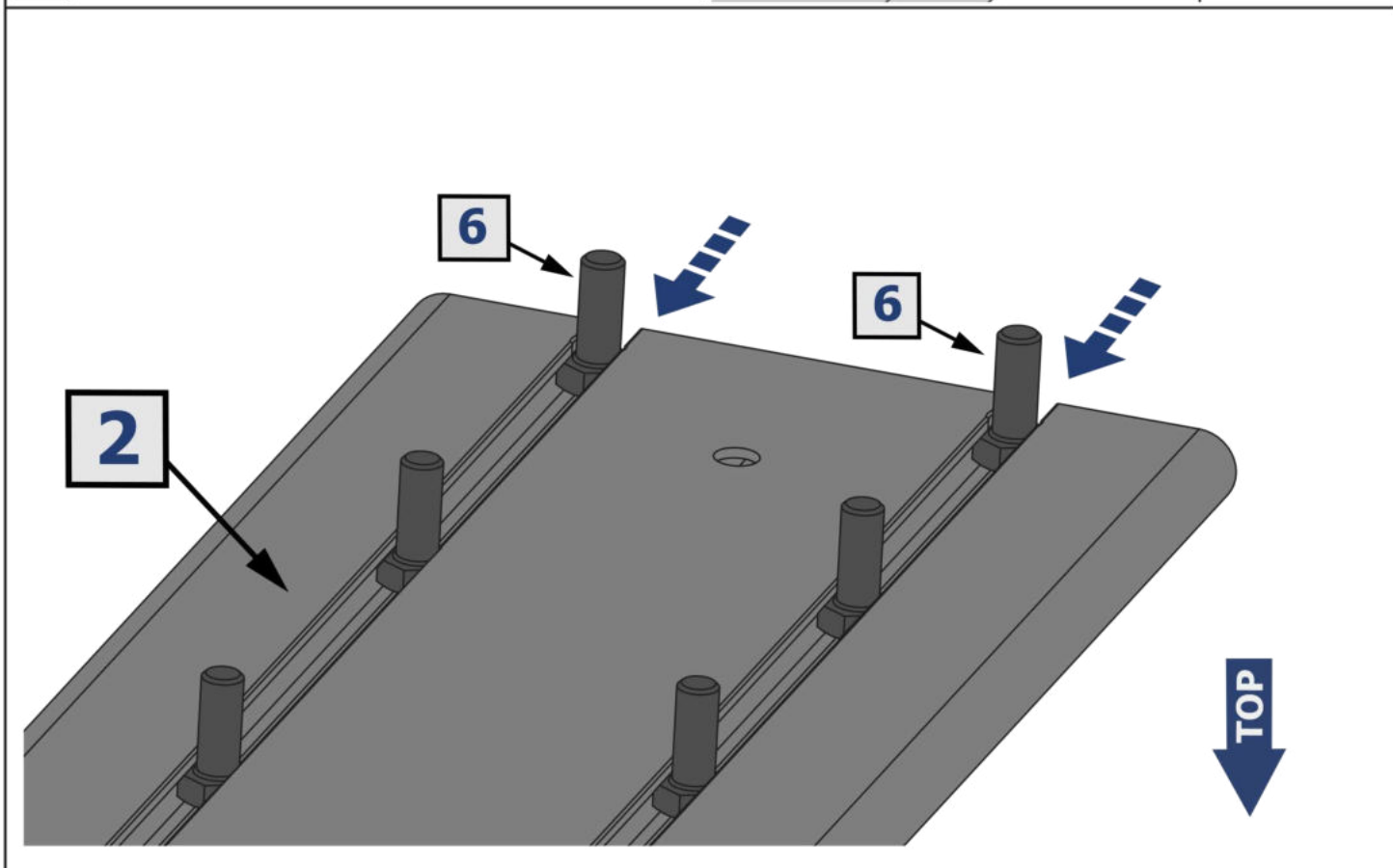
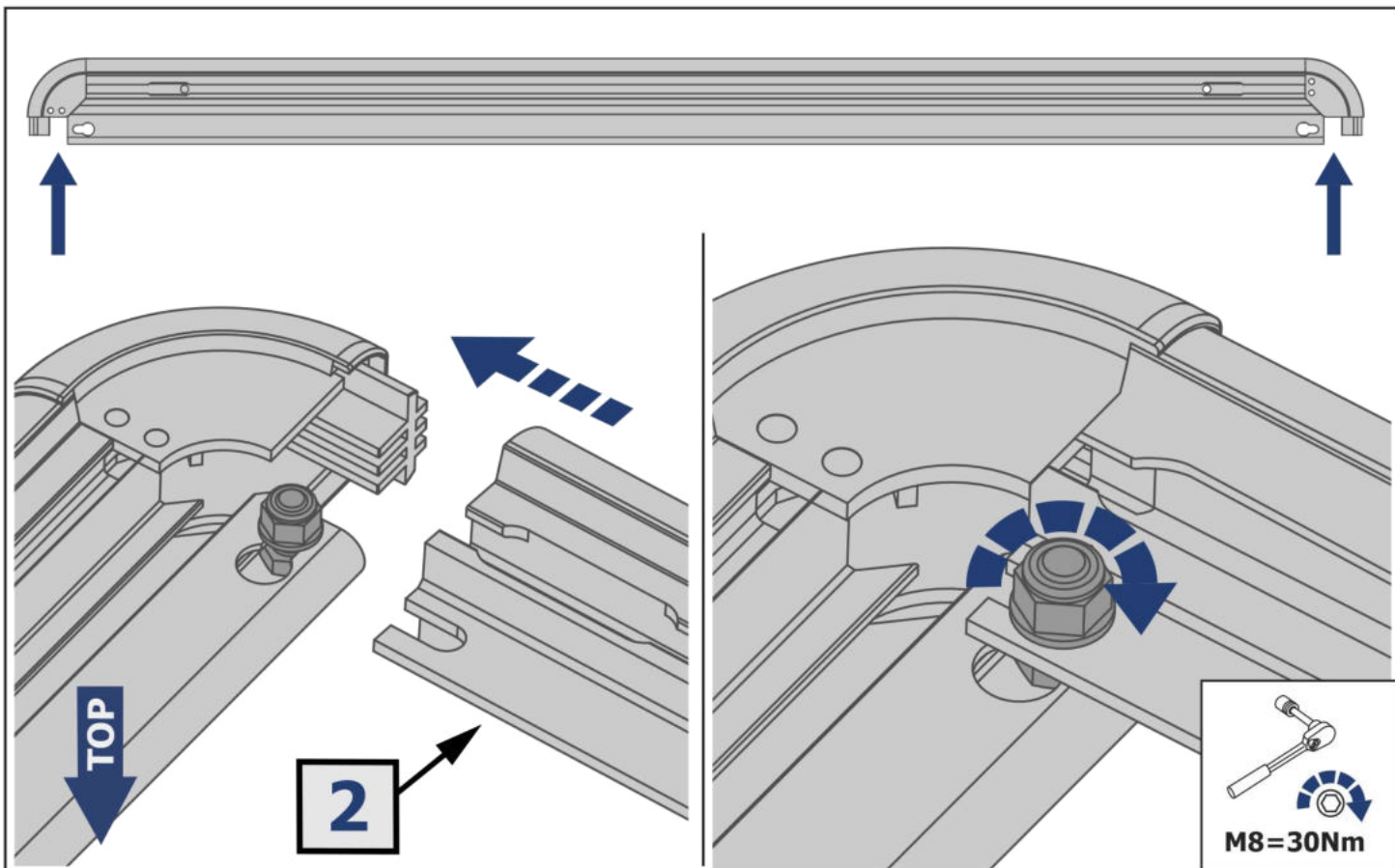


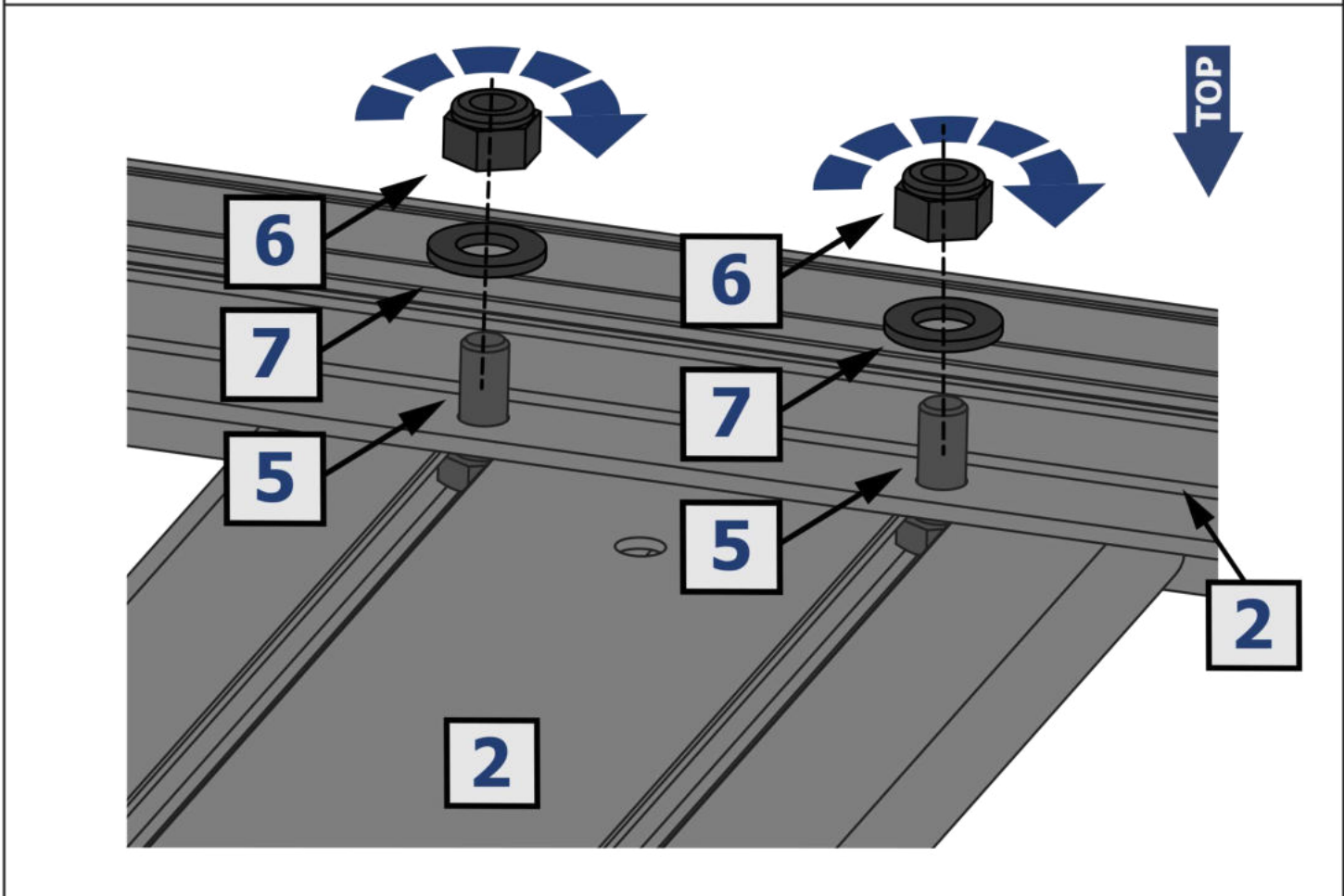
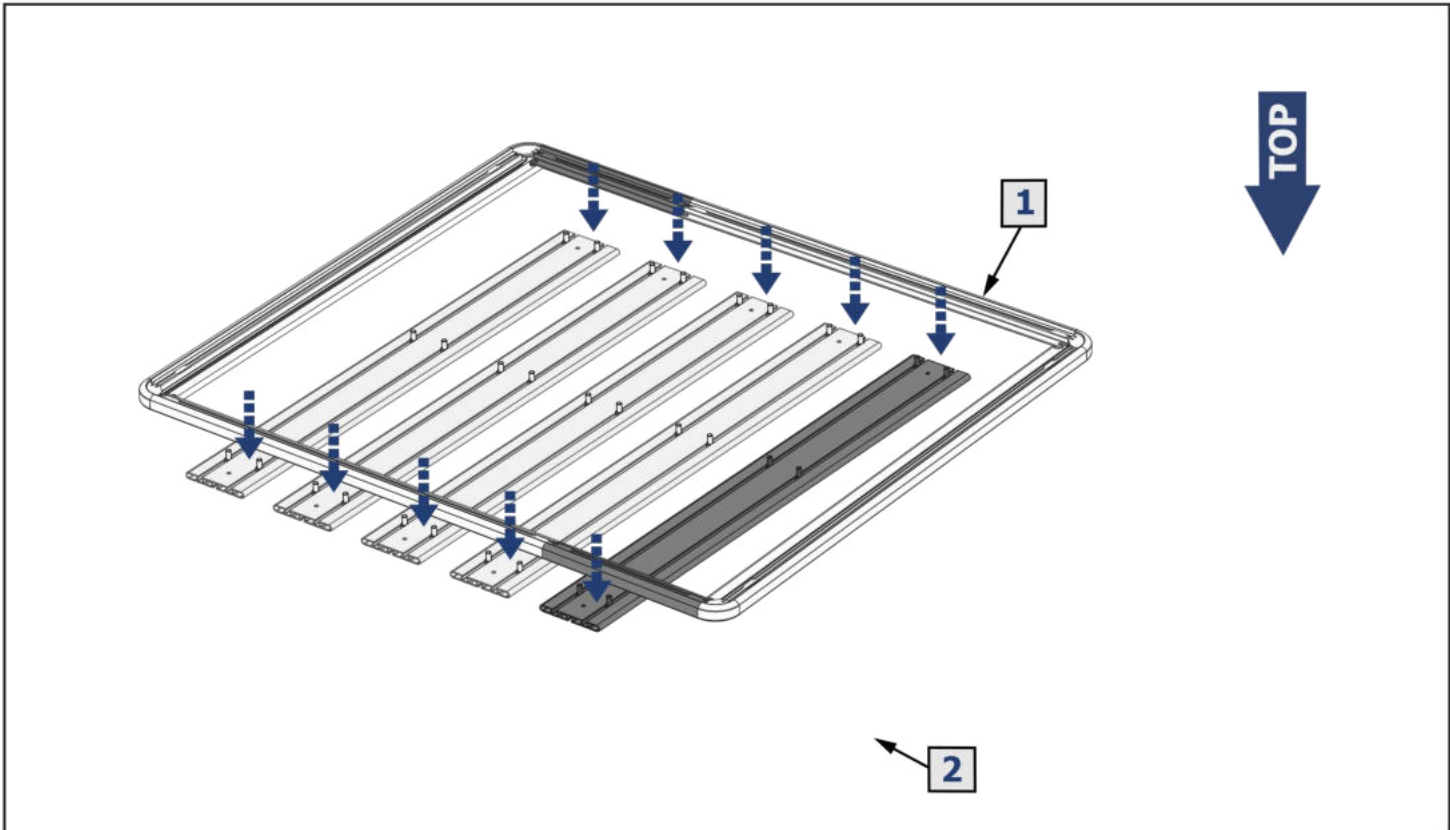
<p>1</p>  <p>240 mm</p> <p>x2</p>	<p>2</p>  <p>x1</p>		
<p>5</p>  <p>M8x16</p> <p>x5</p>	<p>6</p>  <p>M8</p> <p>x5</p>	<p>7</p>  <p>Ø8</p> <p>x9</p>	<p>8</p>  <p>M8</p> <p>x2</p>
<p>9</p>  <p>Ø8</p> <p>x2</p>	<p>10</p>  <p>M8x20</p> <p>x4</p>	<p>11</p>  <p>Ø8</p> <p>x4</p>	

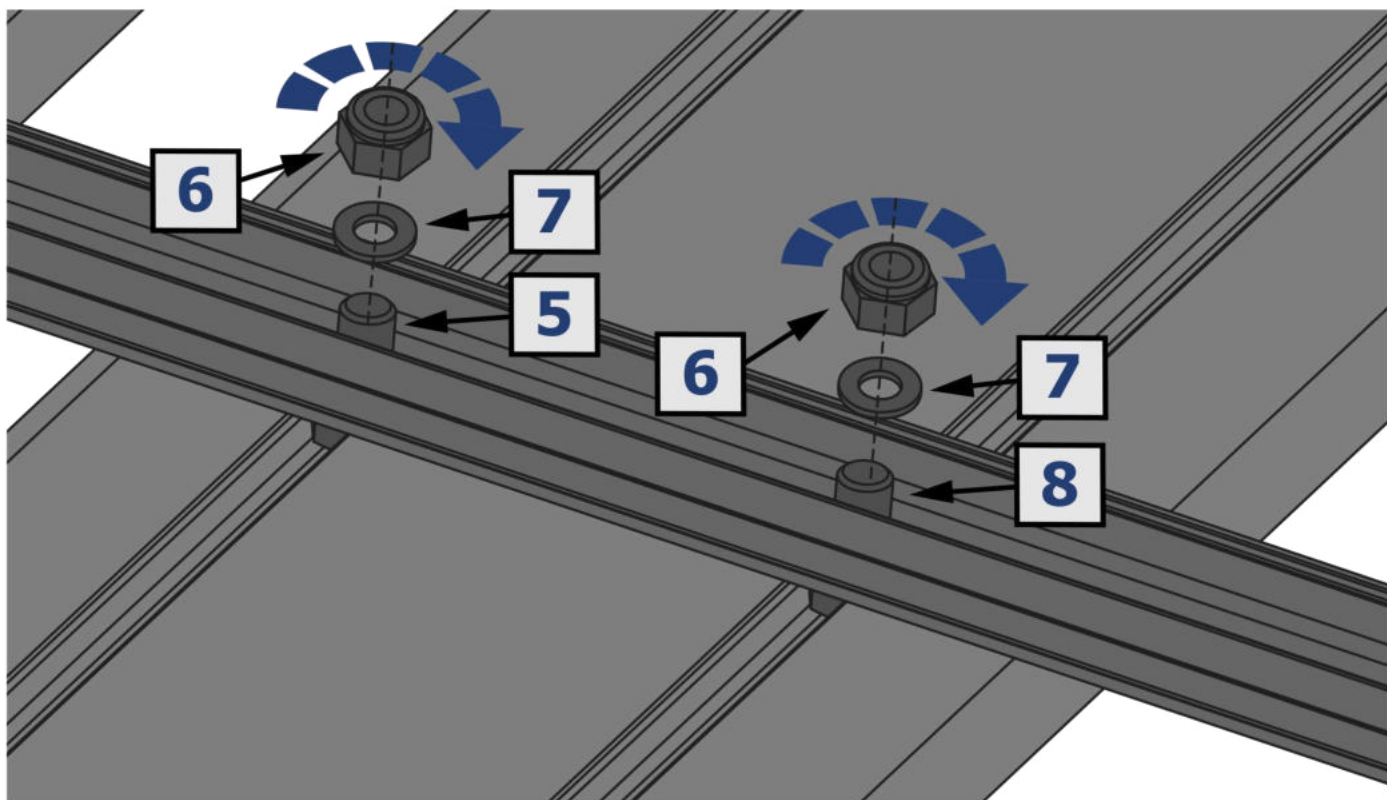
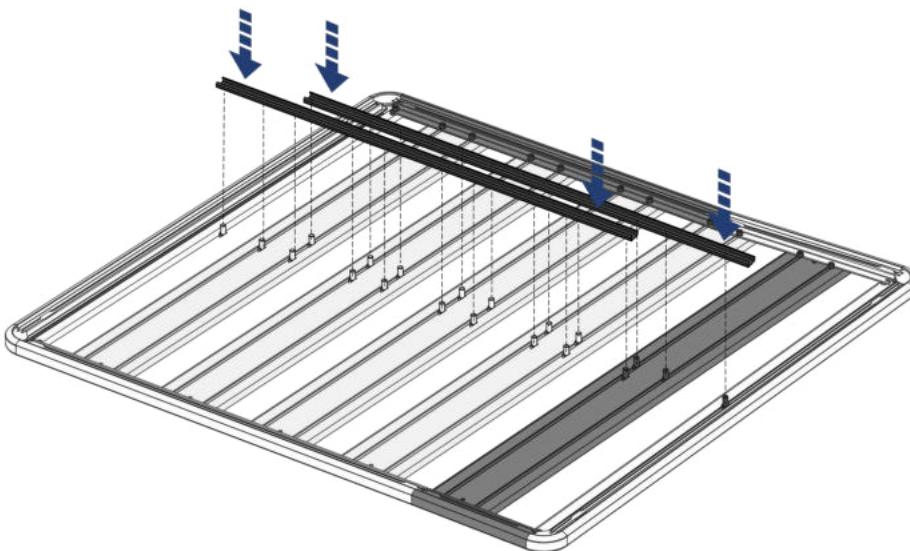


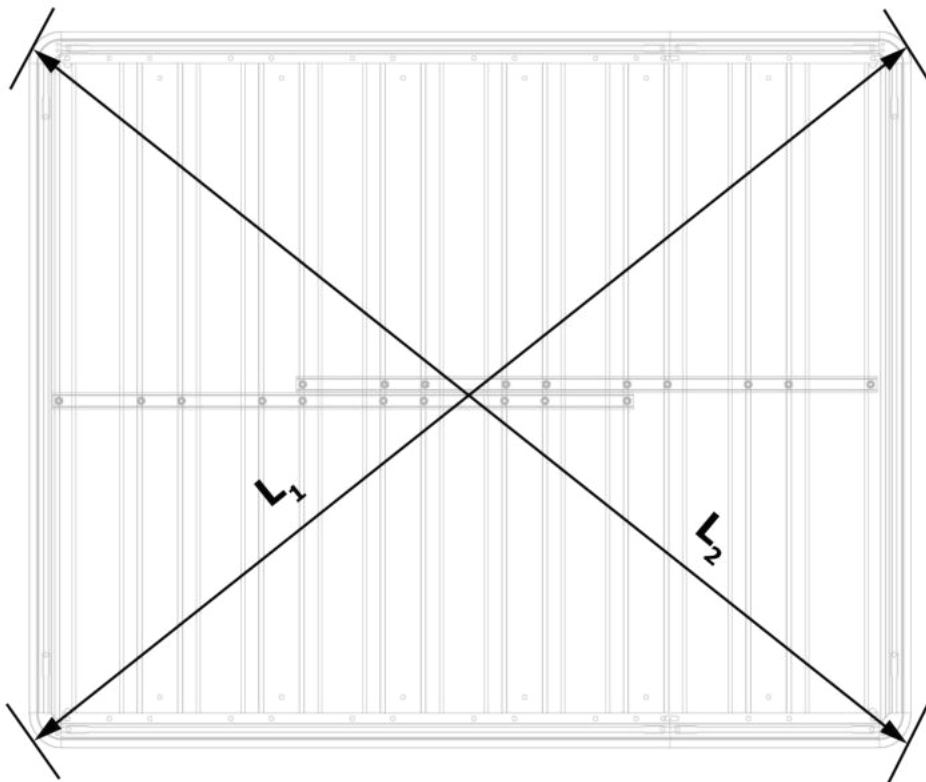
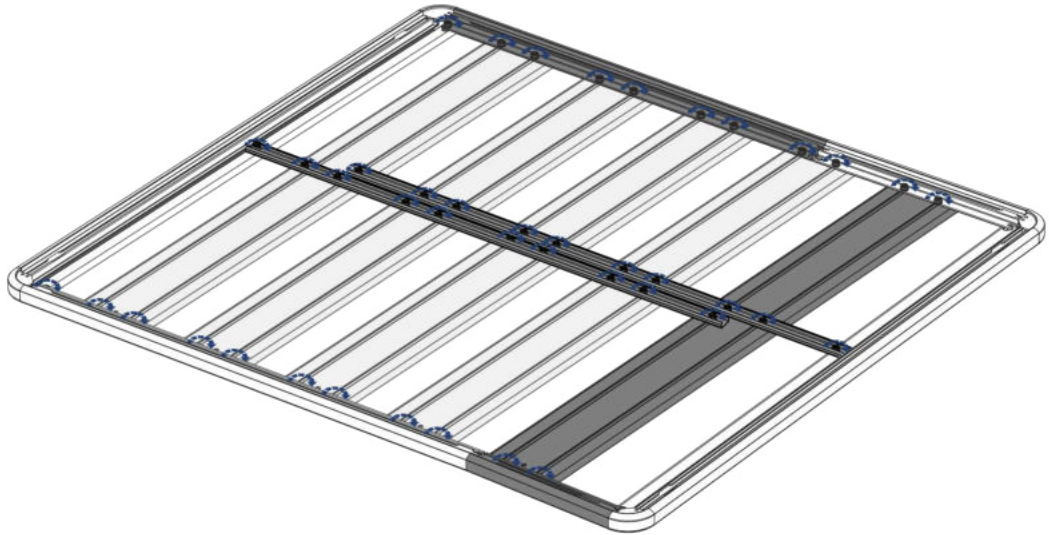












$$L_1 = L_2 \pm 1\text{mm}$$