

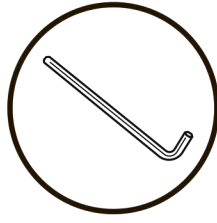
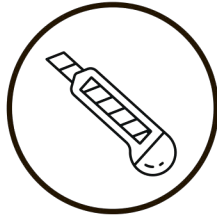
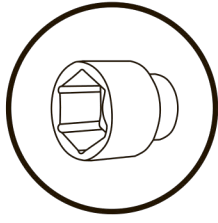
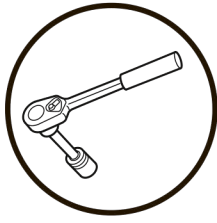
EN | **INSTALLATION MANUAL OF FOOT SET FOR MODULAR ROOF RACK**

for: CONOPY RSI and ALU-CAB

2M.0010.K

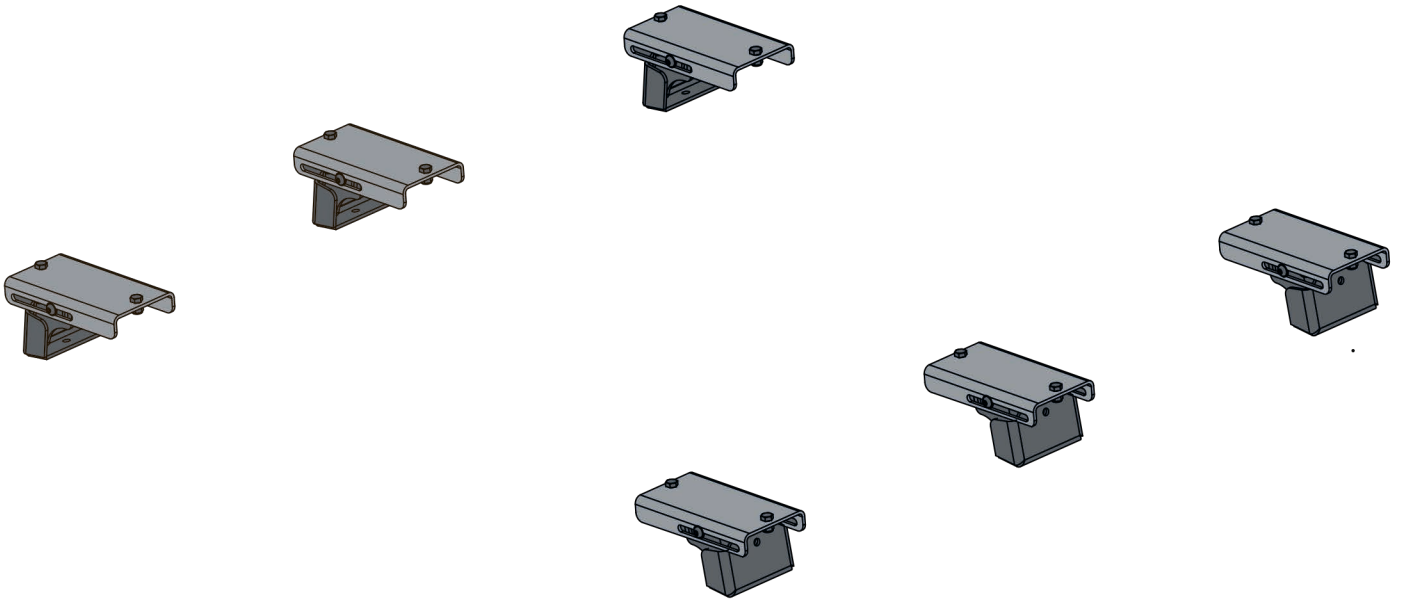


Required Tools:

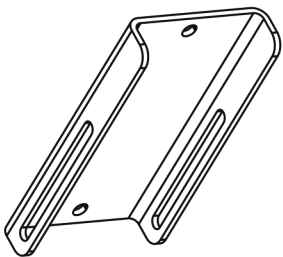


13 mm

Hex M5

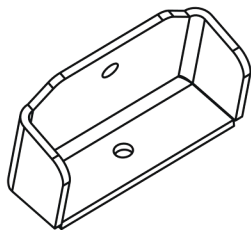


1



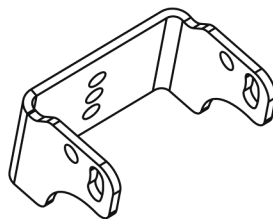
x6

2



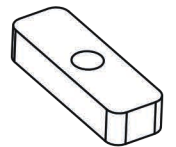
x6

3



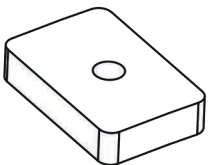
x6

4



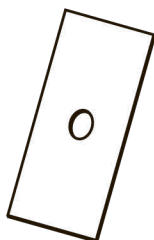
x6

5



x6

6



x6

7



x18

8



x30

9



x6

10



x78

11



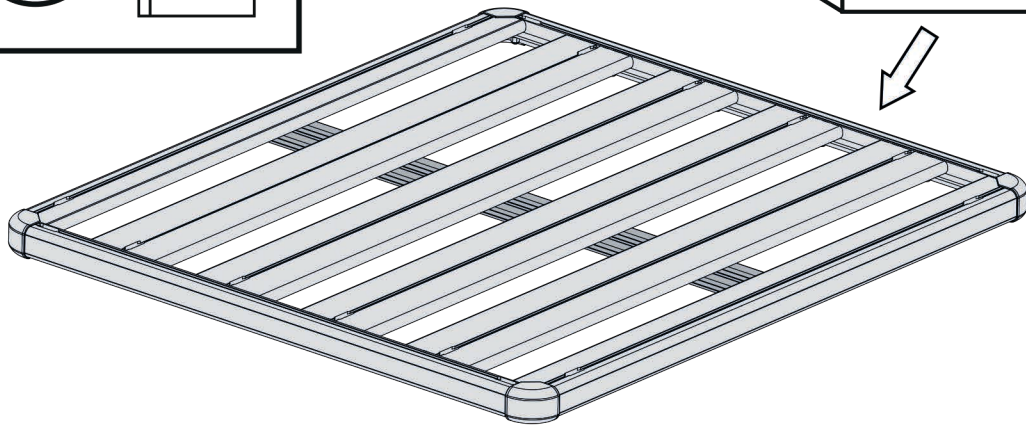
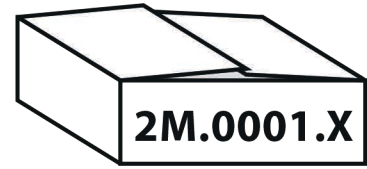
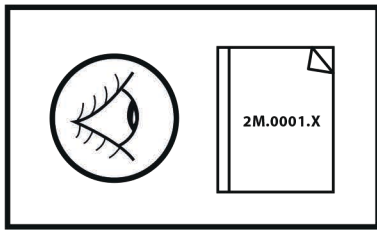
x42

12



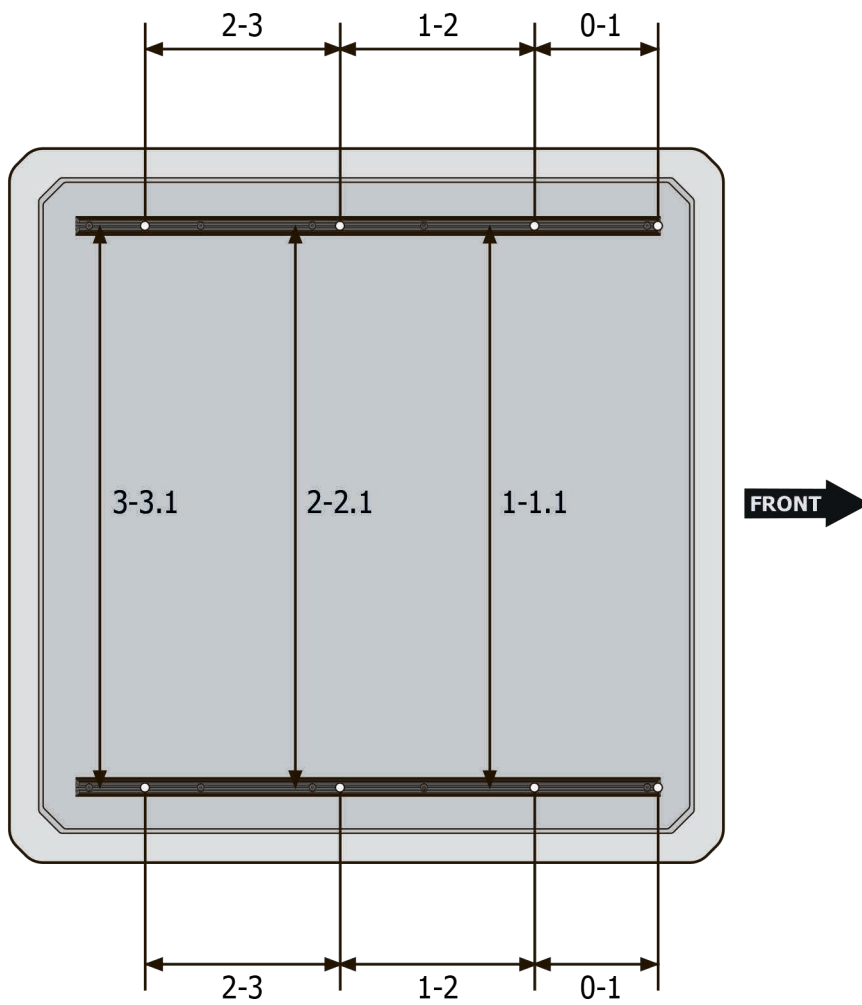
Installation Instructions

1



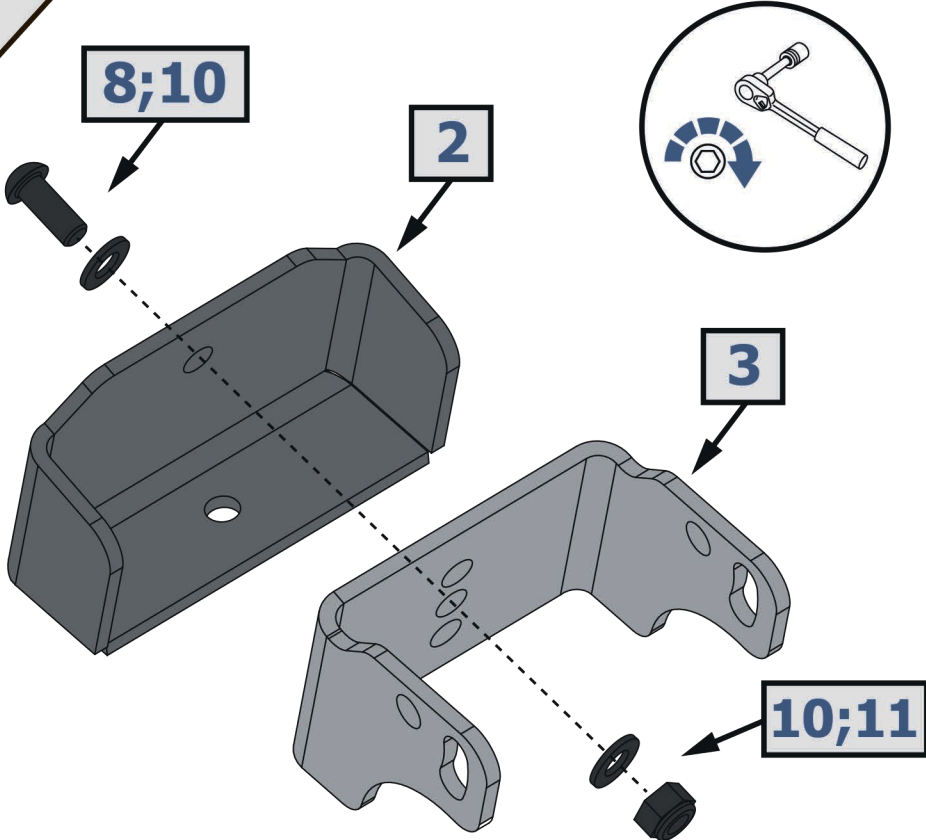
2

TOP

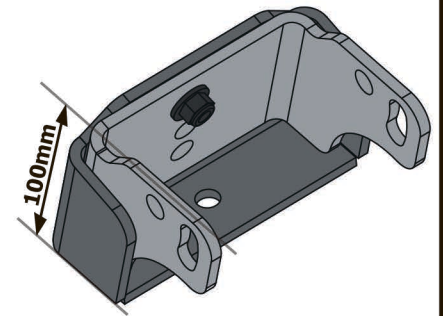


The distance between the brackets at the place of installation of a pair of brackets		1-1.1	2-2.1	3-3.1
mm				
Distance between pairs of brackets		0-1	1-2	2-3
RSI Standart Bed; Ali-Cab; 2M.0001.5	mm	70	530	700
RSI Short Bed; 2M.0001.3	mm	70	530	700

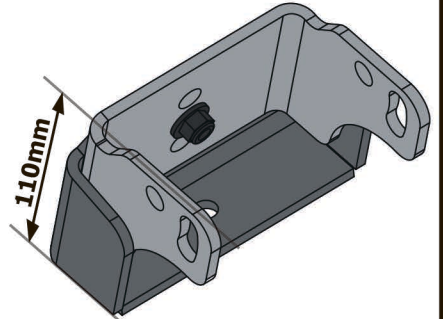
3



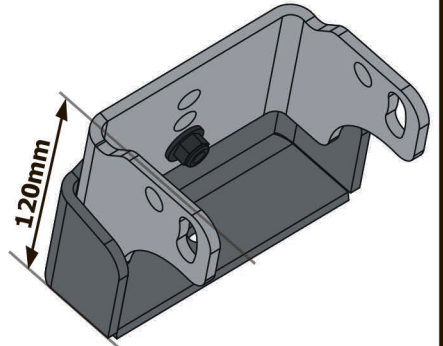
V1



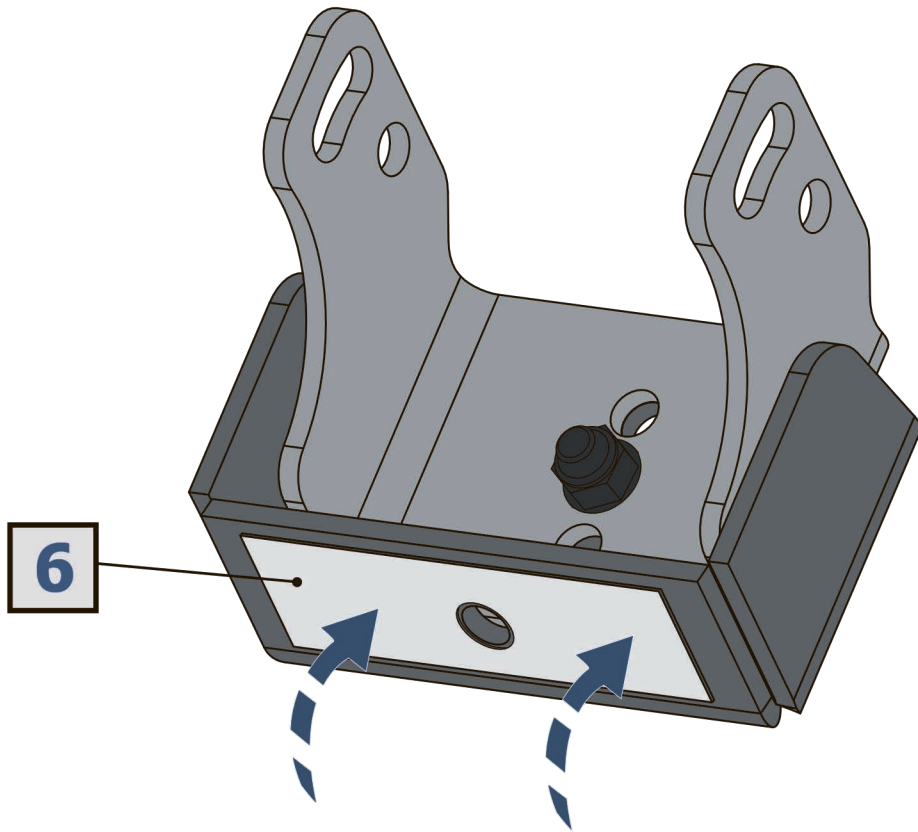
V2



V3

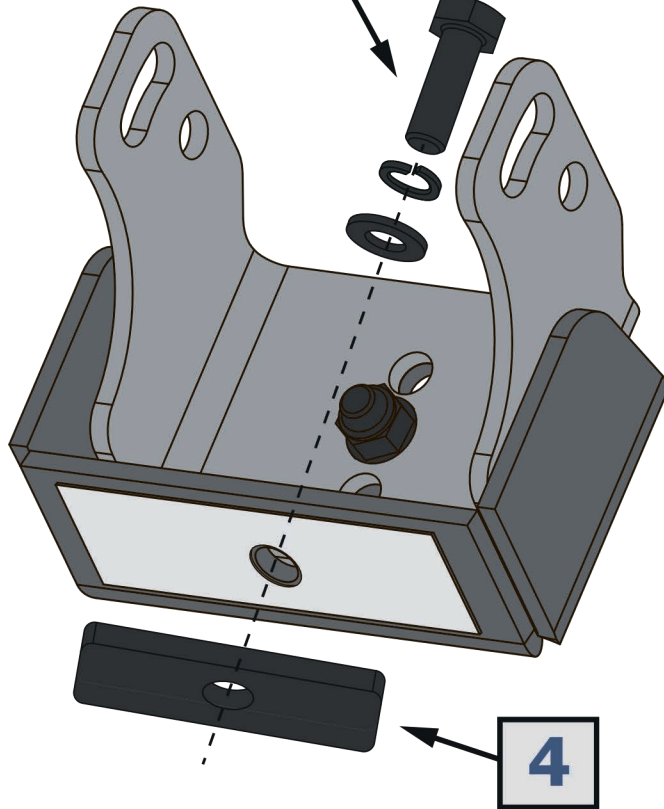
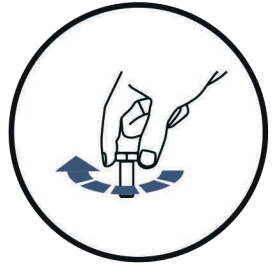


4



5

7;9;10



4

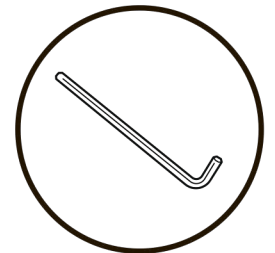
6

8;10

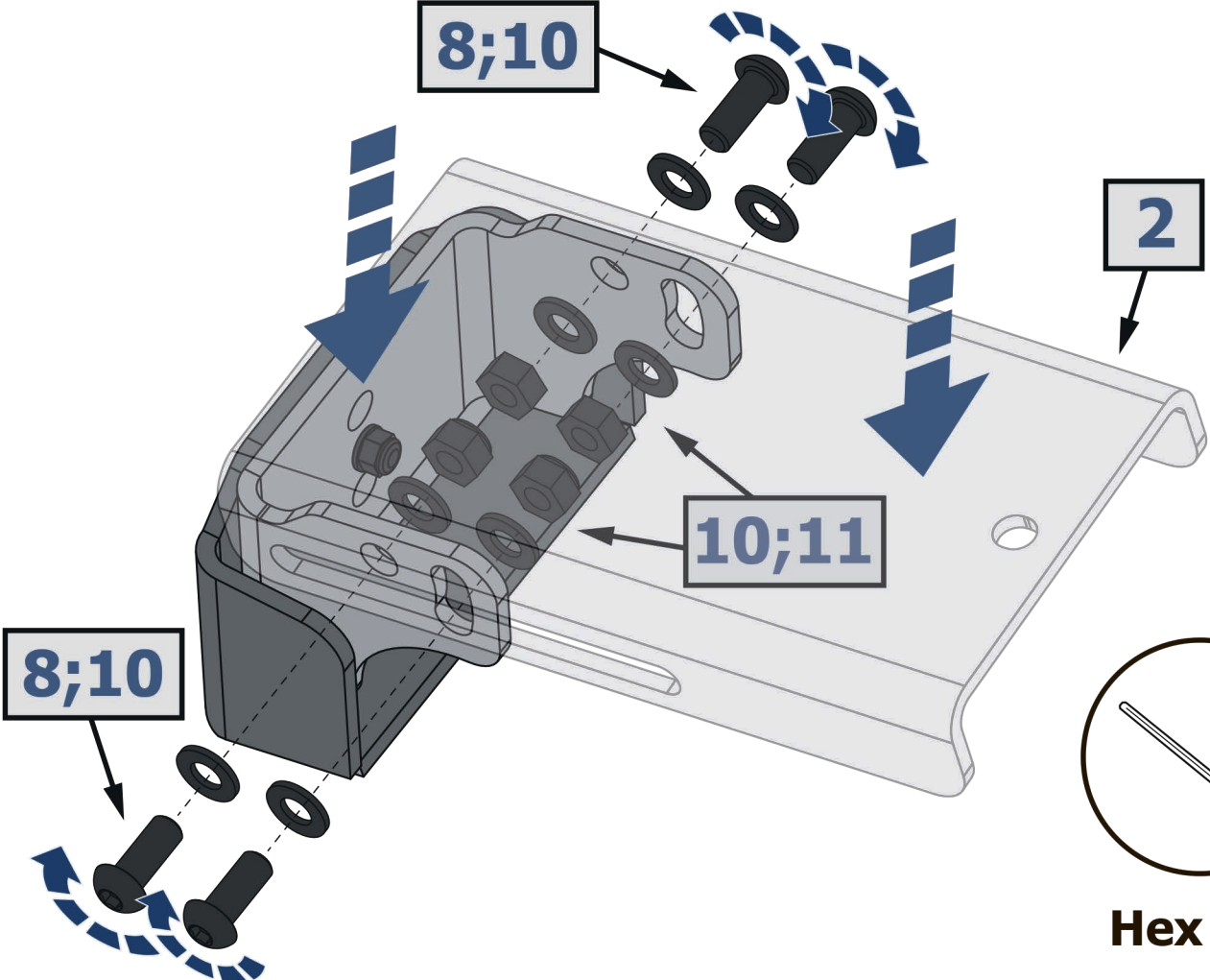
2

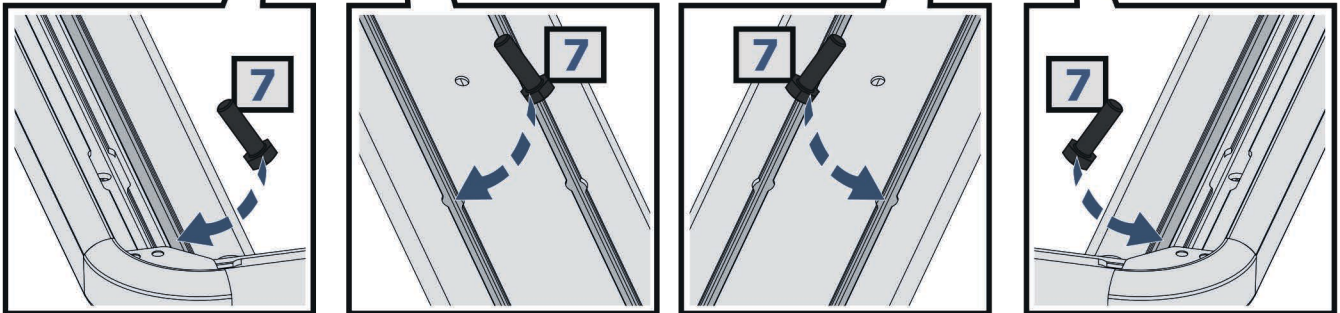
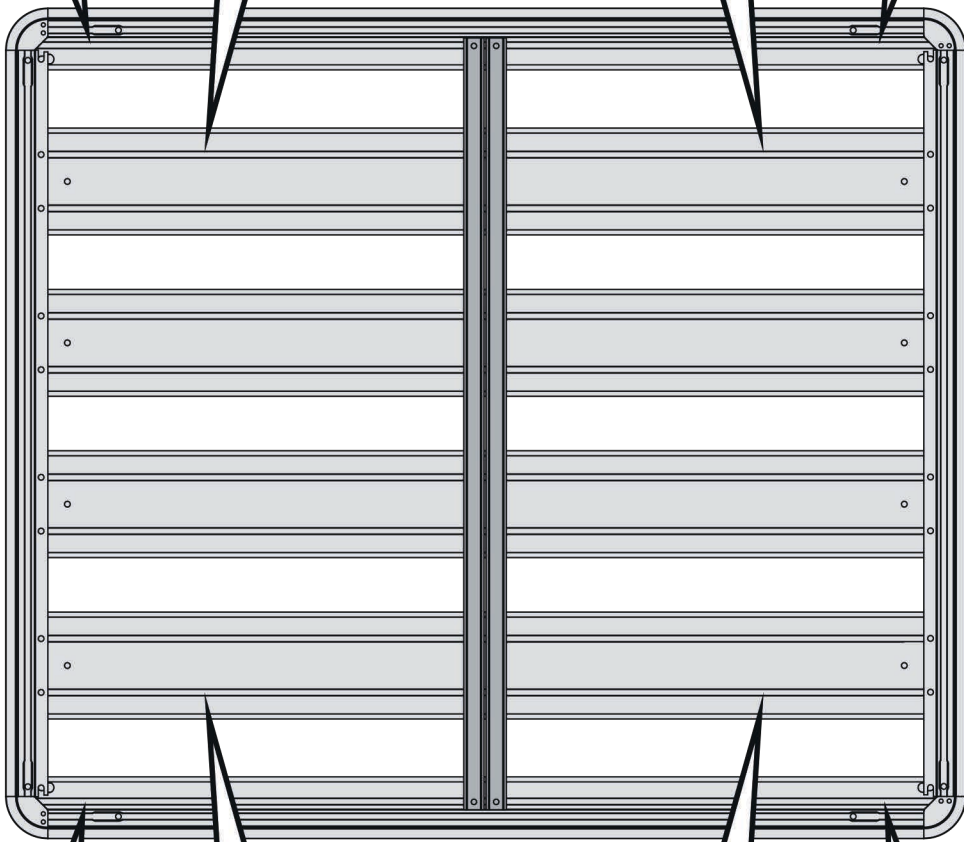
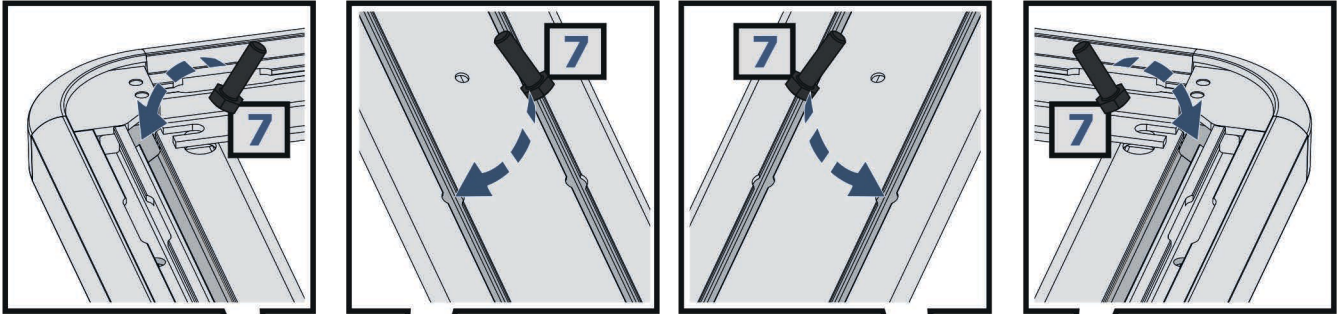
10;11

8;10

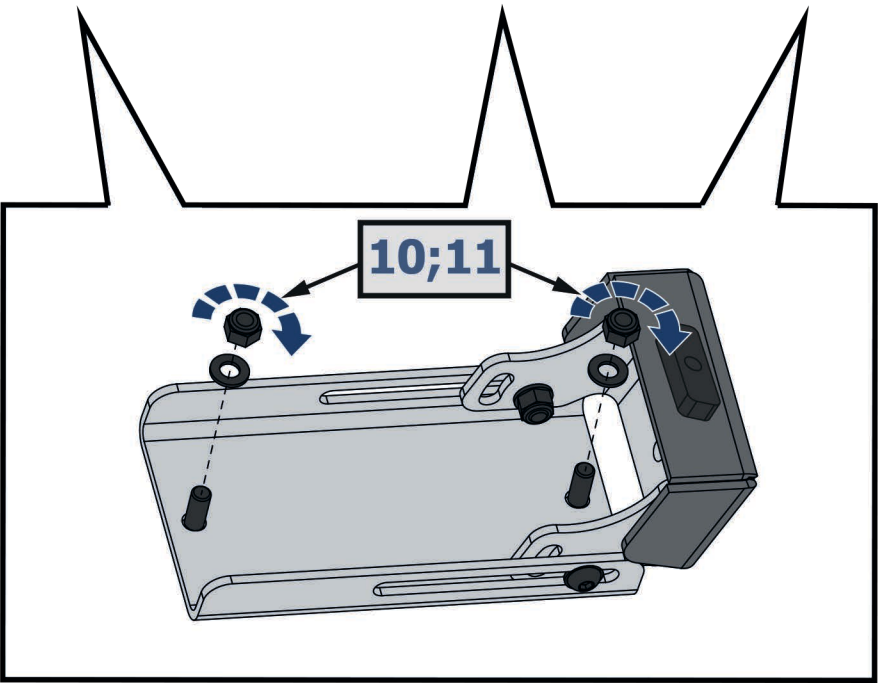
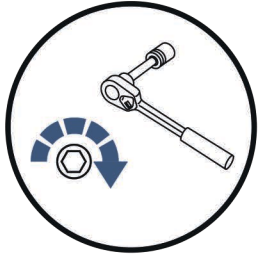
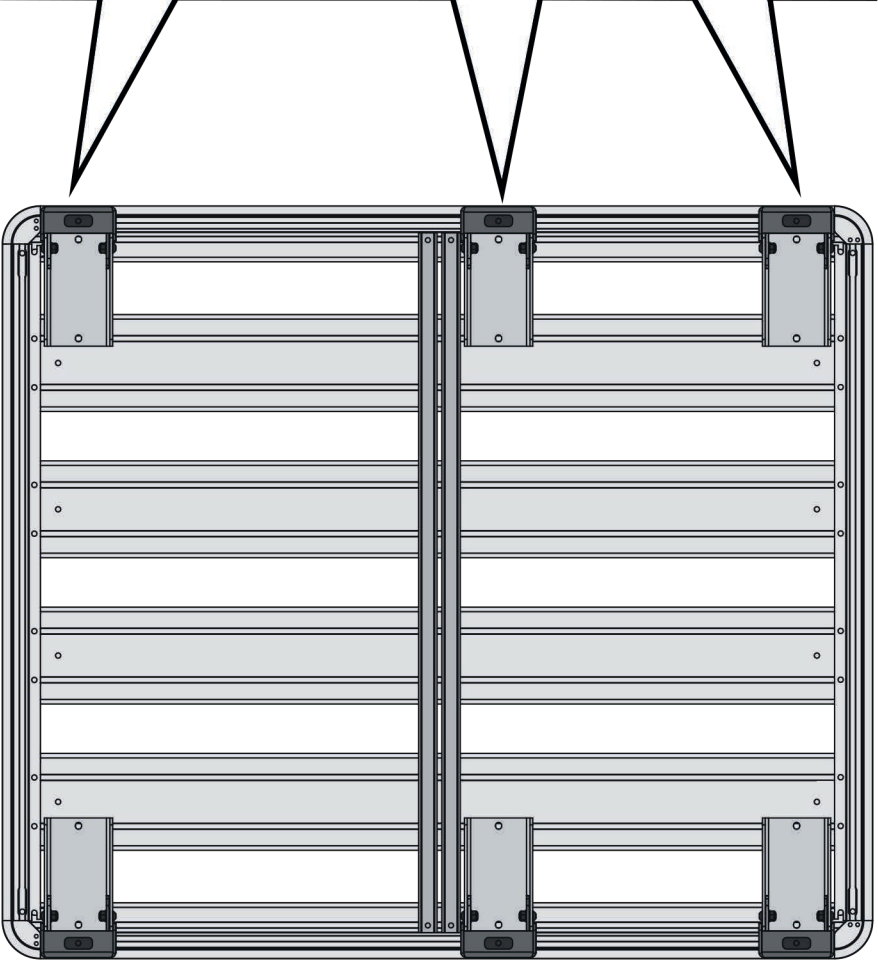
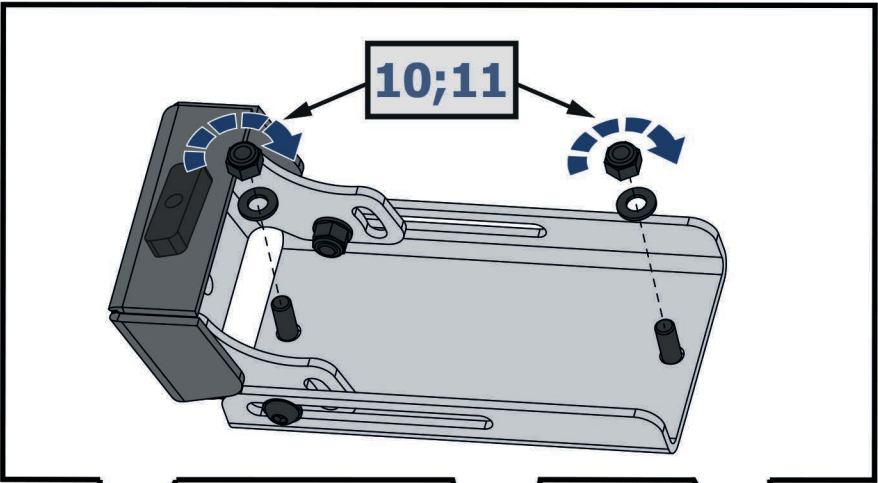


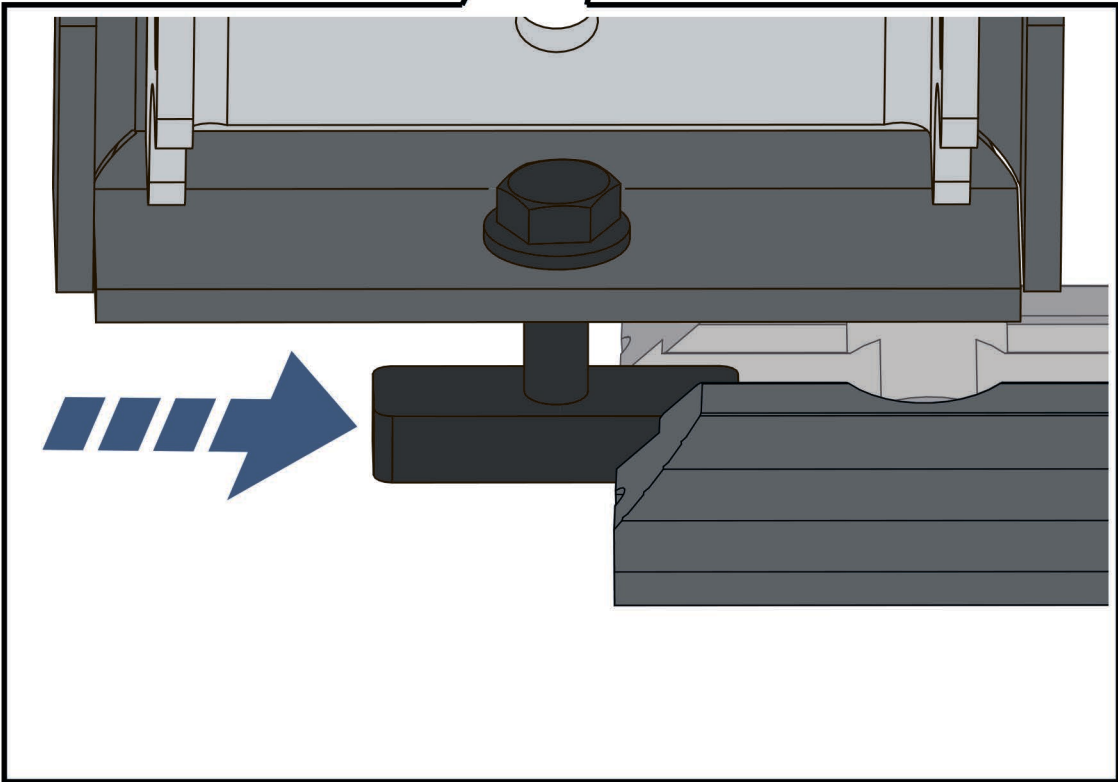
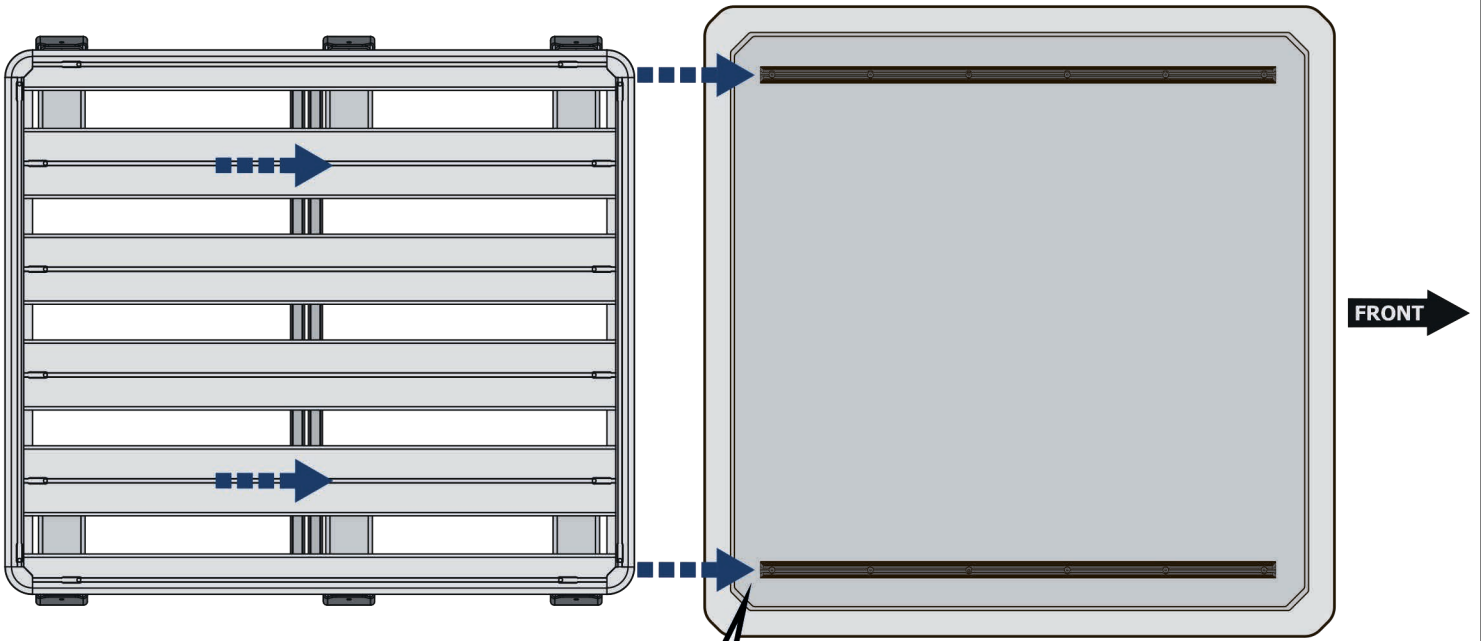
Hex M5





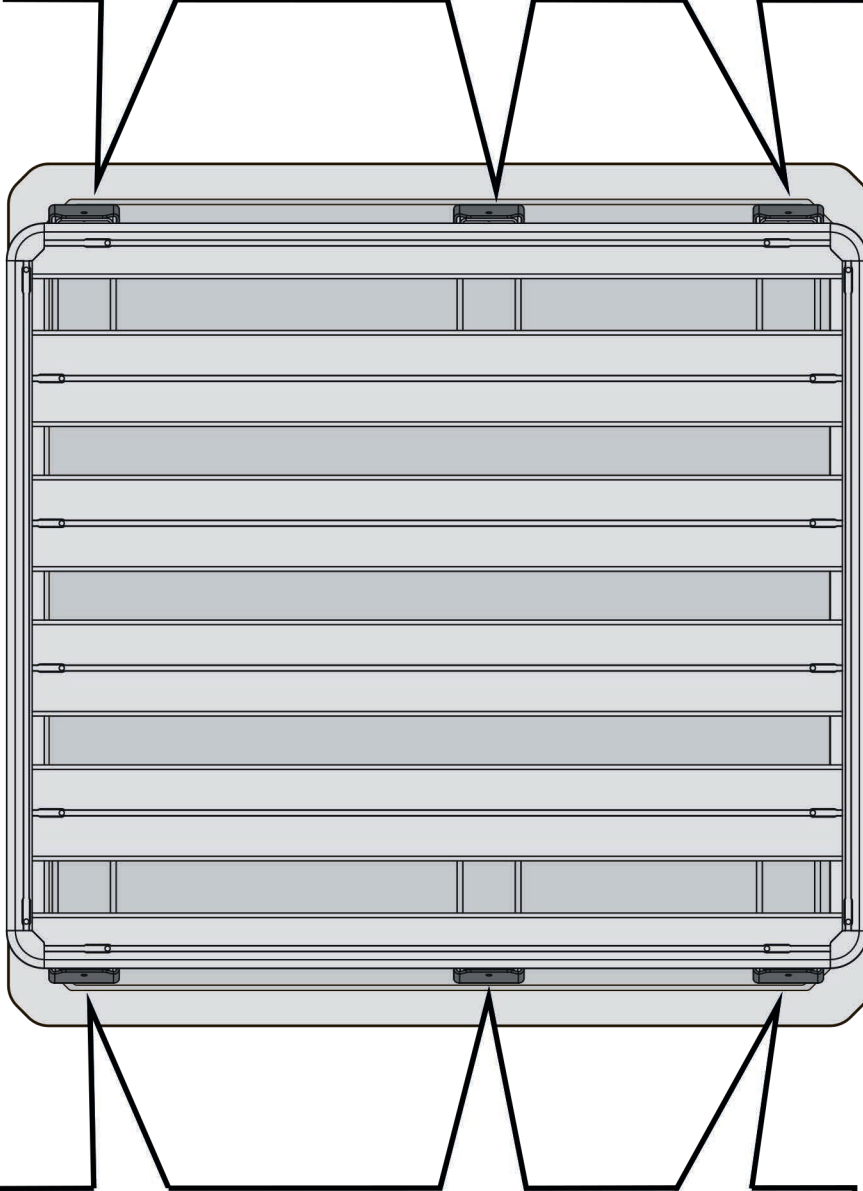
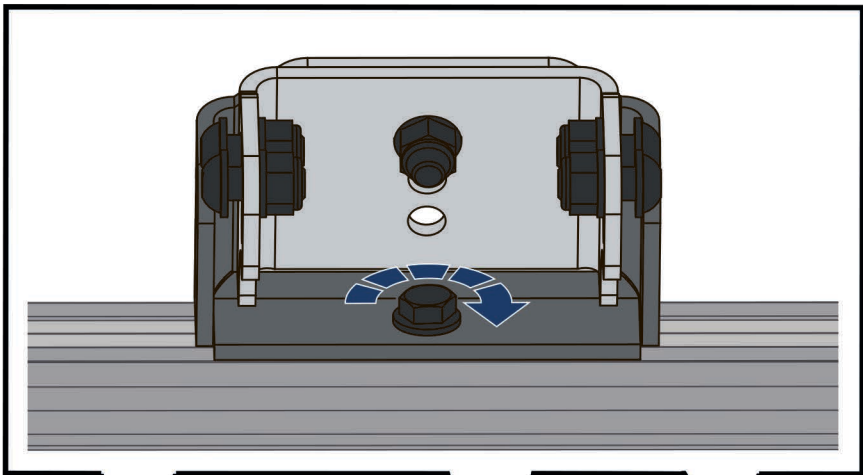
DOWN



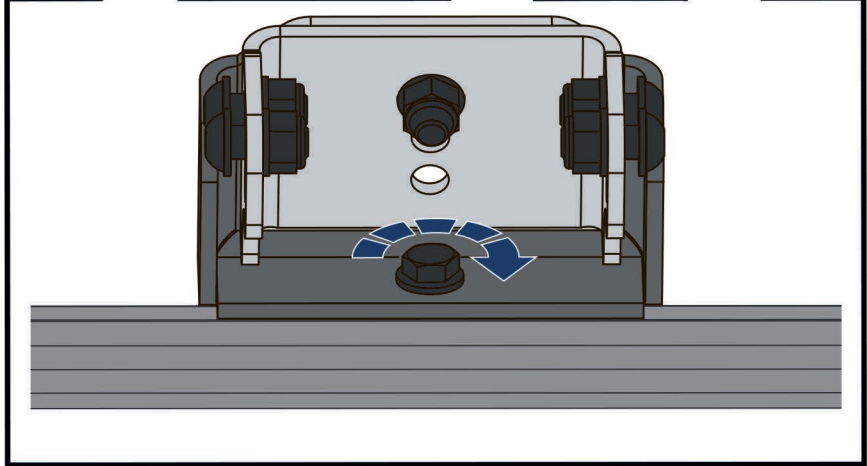


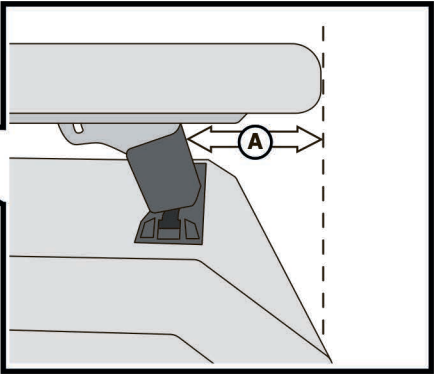
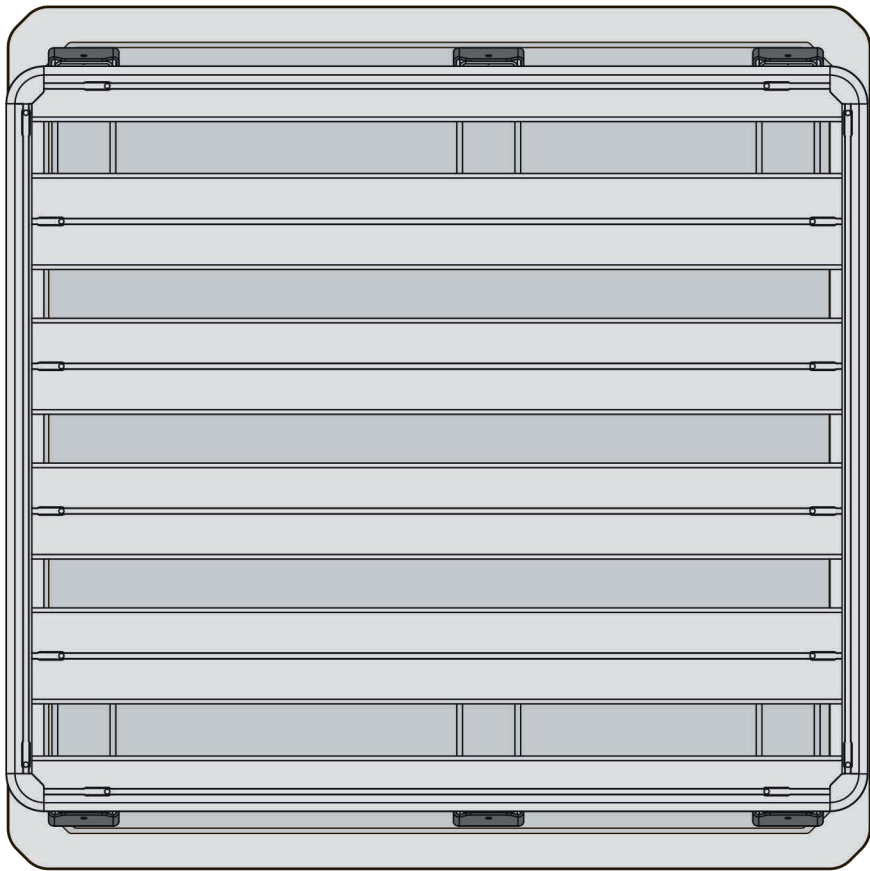
10

TOP

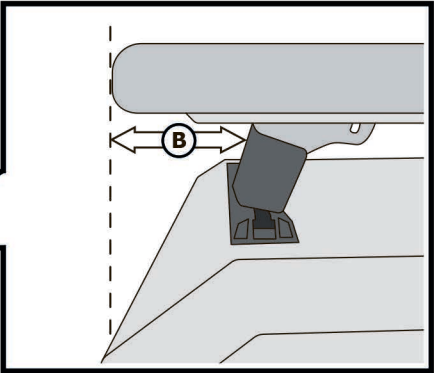


FRONT →

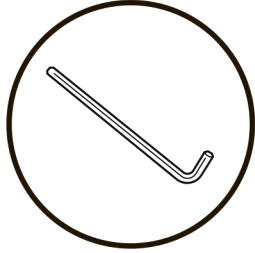
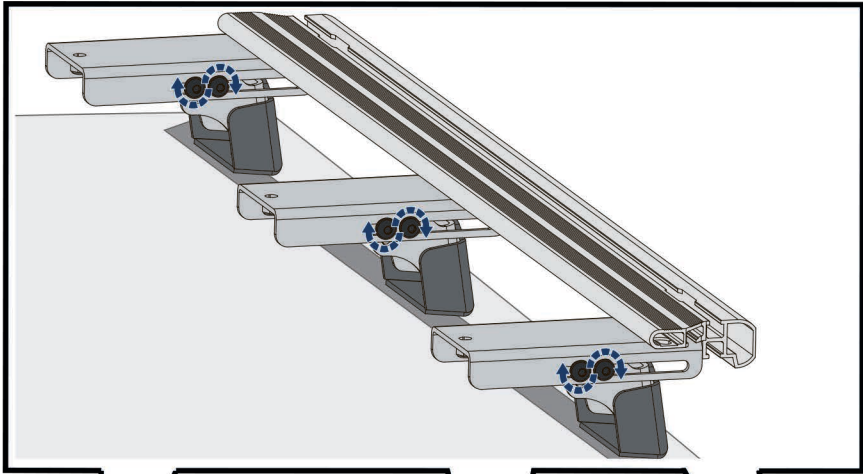




A = B



TOP



Hex M5



FRONT →

