

# INSTALLATION MANUAL

PRODUCT: **FRONT BUMPER**

MODEL: **VOLKSWAGEN AMAROK (2010-2016)**  
**VOLKSWAGEN AMAROK (2016-2021)**

PART NO: **2D.5807.1-NL**



## **CAUTION!**

To reduce the risk of serious injury or damage, please read and understand all instructions and procedures before attempting to install or use this product.  
Safety glasses must be worn at all times during installation or maintenance of this product.  
Ensure all mounting bolts are tensioned after 1000 kms and periodically there after.

## **NOTICE**

Whilst the bumper adds additional protection to your vehicle, precautionary measures still need to be taken to avoid damage.  
Always drive to the conditions and your surroundings.

**ADR69 COMPATIBLE**  
**AIR BAG COMPLIANT**

## FRONT BUMPER FOR VW AMAROK

**Part Number:** 2D.5807.1.B-NL  
**Suited to vehicle:** Volkswagen Amarok  
 2010 - 2016 (2.0L)  
 2016 - 2021 (2.0L; V6 3.0L)  
**Material:** Aluminum / steel  
**Dimensions:** 1945 x 589 x 526 mm  
**Weight:** 44 kg  
**Compatibility:** 5836.1 RIVAL Underbody Armour



## SAFETY NOTICE

- \* The RIVAL bumper is designed to compliment the use and design of the specified vehicle under conditions specified by the car manufacturer.
- \* While driving the vehicle at any speed, collision with any other vehicle, animal or object must always be avoided.
- \* Following any collision with any other vehicle, animal or object, the RIVAL bumper and the vehicle must be inspected by a specialized or suitably qualified vehicle repairer for possible damage to the components and assemblies in order to confirm suitability for further use of the vehicle.
- \* It is strongly recommended that you do not operate a vehicle with a damaged bumper or its components. In the case of damage, please contact the nearest RIVAL authorised stocklist.
- \* The operation of a vehicle where the bumper is not properly attached and fastened to the vehicle, or where the bumper has been damaged, is extremely dangerous and must be avoided at all cost.
- \* It is recommended that you carry out regular inspections of all the bumper elements such as all bolts, wires, connectors.

## INSTALLATION NOTICE

- \* The RIVAL bumper must be mounted and affixed to the vehicle according to this installation manual.
- \* Personal safety during the installation process must be adhered to at all times and the use of personal safety equipment is highly recommended.

## REQUIRED TOOLS

- \* Basic tool kit
- \* Electric drill
- \* Angle grinder
- \* Drill set
- \* Torque wrench
- \* Box knife
- \* Marker

## TORQUE SETTING

* M6	9 Nm
* M10	44 Nm

### \*ADR69 AND AIR BAG SYSTEM

The RIVAL bumper has been tested and certified to be compatible with ADR69 and will not affect the operation of the Air bag System on this vehicle.

This product or mounting brackets must not be modified in any way, and must be fitted in accordance with the installation instructions.

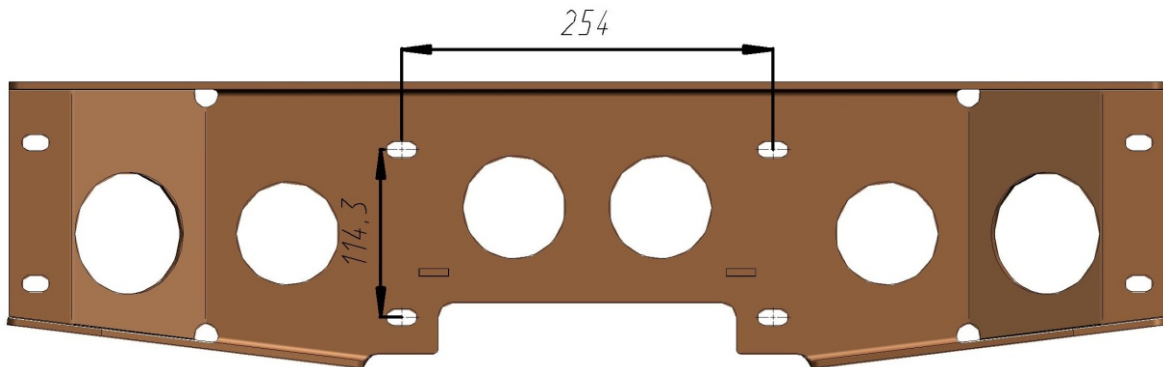
## IMPORTANT NOTE

If the FRONT Bumper is to be colour coded it is the installers responsibility to check the fitment and alignment of the Bumper to the vehicle before painting is done. It is the painters responsibility to ensure that the Bumper is correctly prepared and high filled to achieve a quality finish. RIVAL is not liable for any costs associated with colour coding, or fitment issues post colour coding.

## \*WINCH INSTALLATION

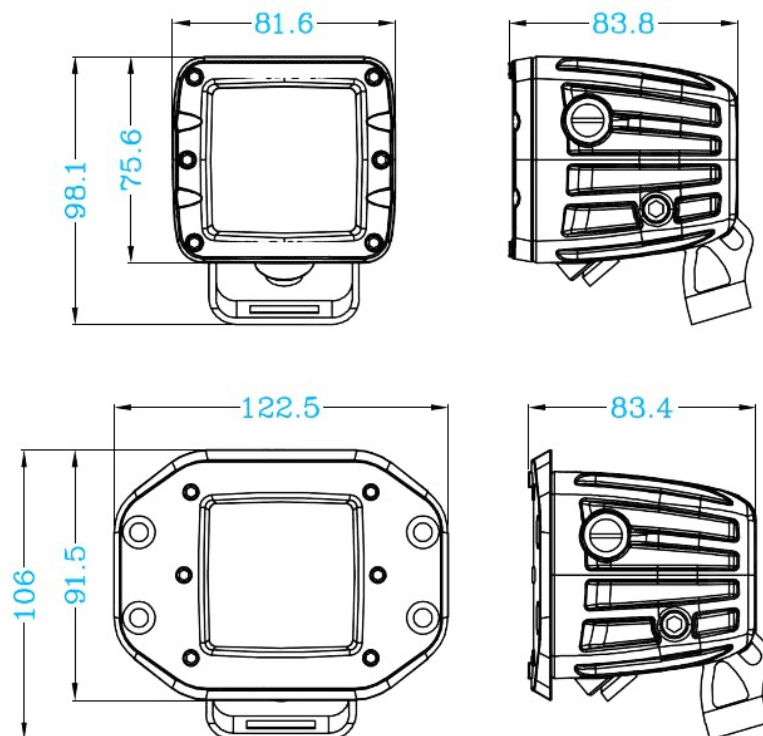
A winch with a pull capacity of up to 12000 lb can be installed with the RIVAL bumper. It is not advisable to exceed this pulling capacity since damage, injury or death may occur where the 12000lb recommended capacity is exceeded. There is a special license plate holder supplied with the bumper which will provide access to the winch.

### Winch measurements:

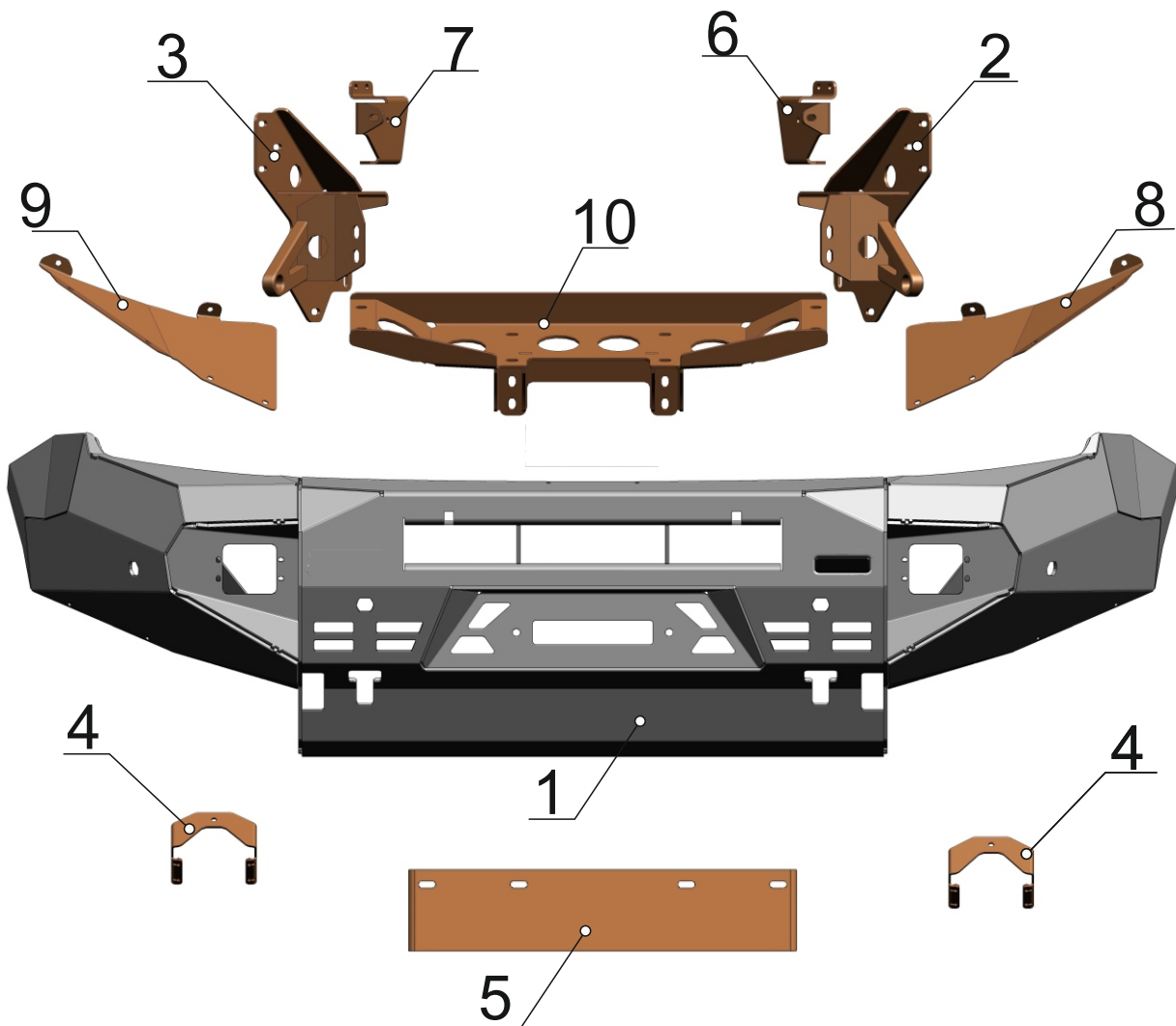


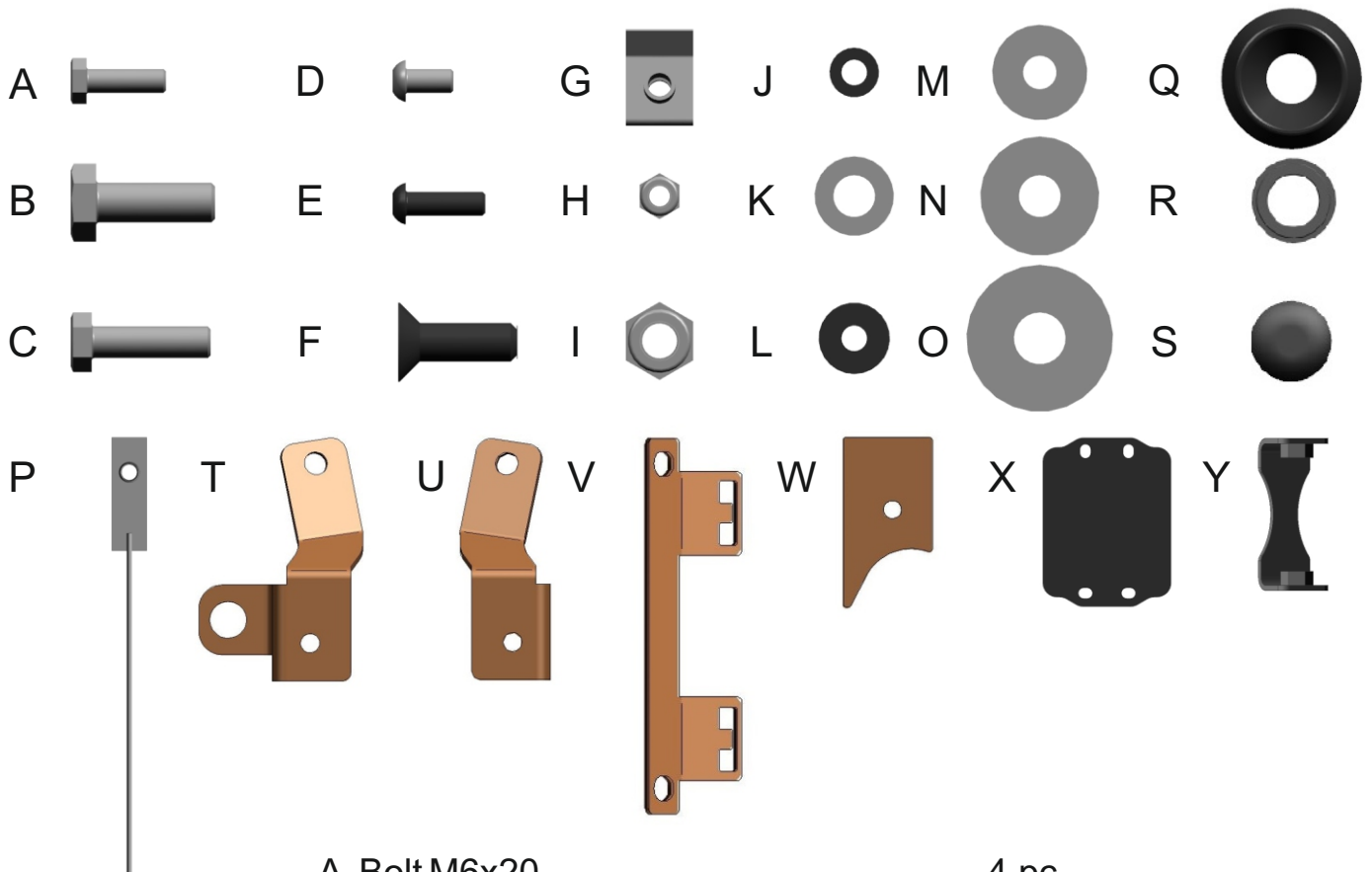
### Winch size limits:

L 700 x W 210 x H 245 mm



- 1. Aluminum bumper body..... 1 pc
- 2. Left bracket..... 1 pc
- 3. Right bracket..... 1 pc
- 4. LED bracket..... 2 pc
- 5. License plate holder..... 1 pc
- 6. Left adjusting bracket..... 1 pc
- 7. Right adjusting bracket..... 1 pc
- 8. Left flap..... 1 pc
- 9. Right flap..... 1 pc
- 10. Winch bracket..... 1 pc
- 11. LED (depending on the delivery)..... 2 pc





A. Bolt M6x20.....	4 pc
B. Bolt M10x30.....	17 pc
C. Bolt M8x30.....	4 pc.
D. Screw M6x16 round-head.....	8 pc.
E. Screw M6x20 round-head.....	24 pc
F. Screw M10x30 countersunk-head....	8 pc
G. U-nut M6.....	14 pc
H. Nut M6.....	2 pc
I. Nut M10.....	20 pc
J. Washer 6.....	16 pc
K. Washer 10.....	29 pc
L. Washer penny 6.....	4 pc
M. Washer penny 8.....	4 pc
N. Washer penny 10.....	8 pc
O. Washer penny 12.....	1 pc
P. Insert nut M10.....	5 pc
Q. Countersunk washer.....	8 pc
R. Parking sensor washer.....	4 pc
S. Cap.....	2 pc
T. Left radiator grill bracket.....	1 pc
U. Right radiator grill bracket.....	1 pc
V. Central radiator grill bracket.....	1 pc
W. Template for drilling.....	1 pc
X. Lamp plug.....	2 pc
Y. Parking sensor holding bracket.....	4 pc



1. Open the bonnet.
2. Disconnect the negative battery terminal cable.
3. Remove 4 screws out of radiator grill.

**\* Set aside for re-use later**



4. Remove 3 screws from inside of the fenders on each side of the vehicle.

**\* Set aside for re-use later**



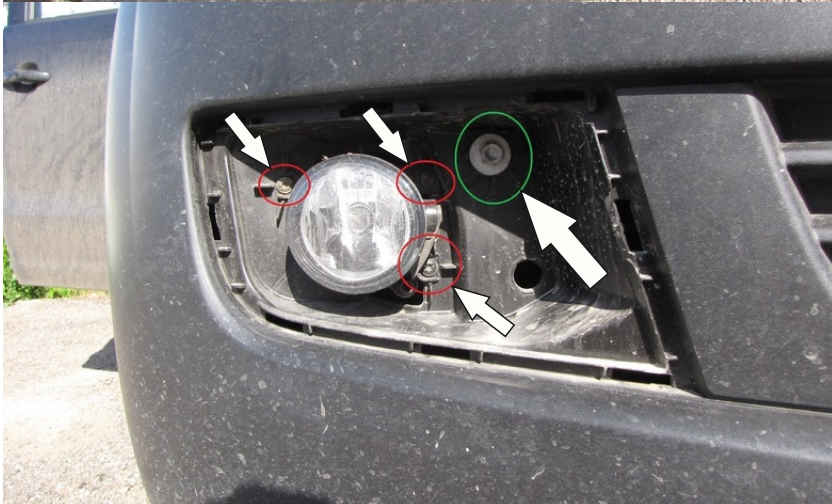
5. Remove 4 screws out of lower lip of the bumper.

**\* Set aside for re-use later**



**\*For Amarok 2010-2016**

6. Remove plastic covers of the fog lights.



**\*For Amarok 2010-2016**

7. Remove the bolt that attaches bumper to the underframe of the vehicle.

8. Remove fog lights screws. Pull the light towards you. Disconnect the cables.

**\* Set aside for re-use later**



9. Remove 2 screws out of bumper under the licence plate.

**\* Set aside for re-use later**



10. Remove the bumper by pulling the bumper towards you holding the sides. Disconnect the temperature sensor.



11. Remove bumper brackets.

**\* Set aside for re-use later**



12. Remove plastic deflectors under the lights.

**\* Set aside for re-use later**



13. Remove plastic side fittings.

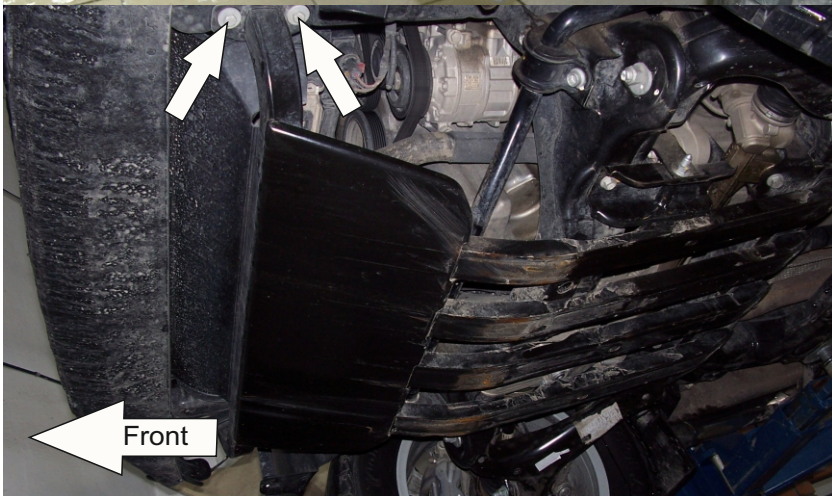
**\* Set aside for re-use later**





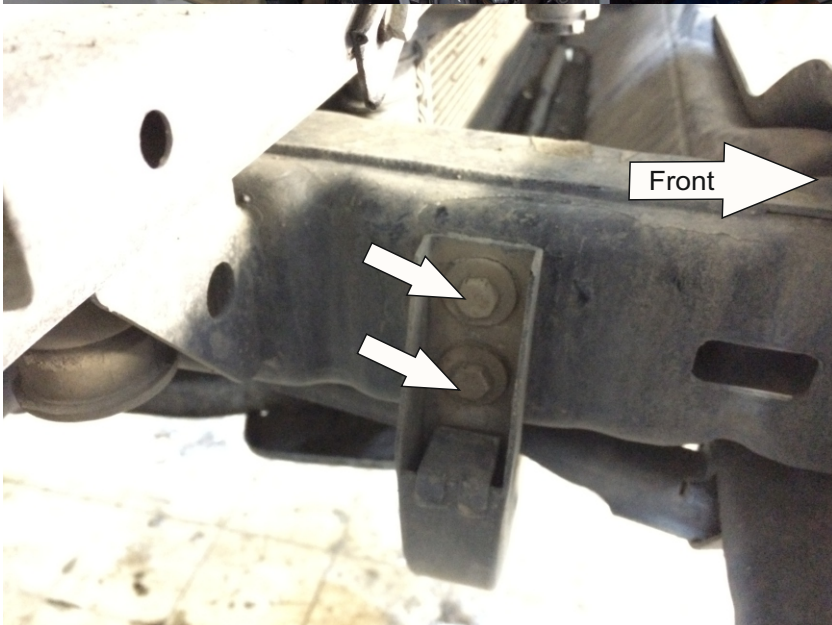
14. Remove plastic side deflector brackets from each side.

**\* Set aside for re-use later**



15. Remove 2 bolts from the skid plate fitting on left side of the vehicle.

**\* Set aside for re-use later**



16. Remove 2 bolts from skid plate fitting on right side of the vehicle.

**\* Set aside for re-use later**



17. Using an angle grinder, cut a piece off from both sides of the crossmember as shown. The cut must align with the outer edge of the chassis frame.

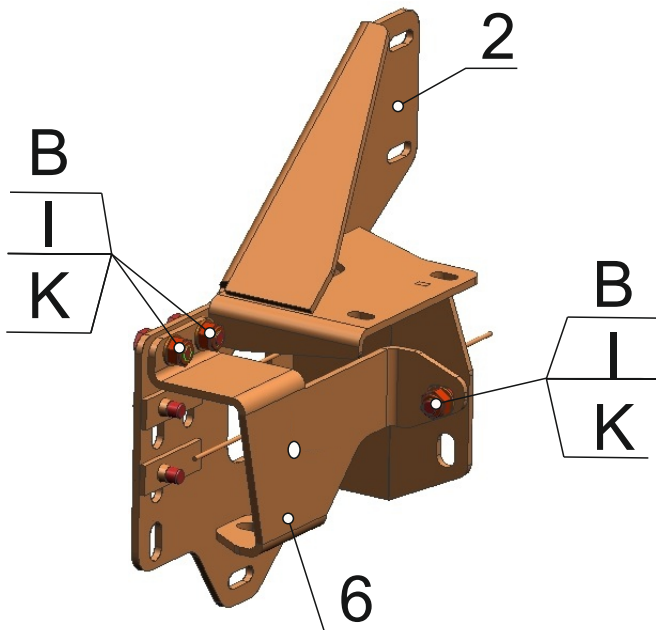


18. Cut the towing loop bracket on the right side to provide access to the holes in lower part of underframe.



19. Increase the size of the 2 holes in the lower part of underframe by drilling them to 10mm diameter.

**RIGHT SIDE ONLY**  
**AS INDICATED BY ARROWS**



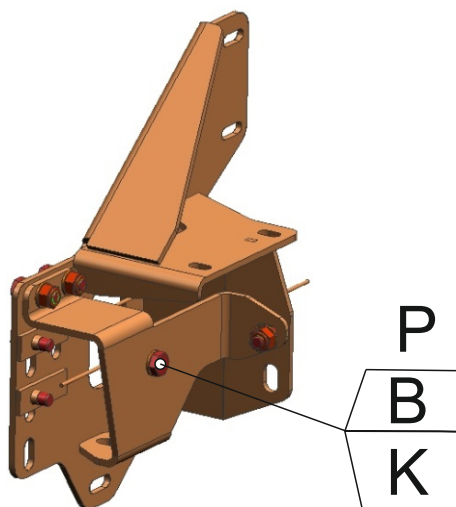
23. Fix left adjusting bracket (6) to left bracket (2) using bolts M10x30 (B), nuts M10 (I) and washers 10 (K).

Do not tighten yet.

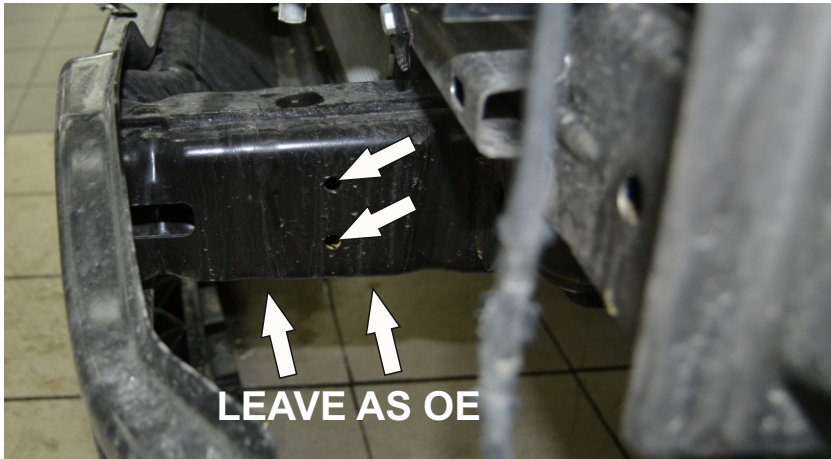
Fix adjusting bracket (6) to the chassis frame using OE bolts. Fix the bracket from its side by bolt M10x30 (B) and washer 10 (K) to insert nut (P).



24. Drill 10mm hole from inside of the chassis.



25. From side, fix the bracket using bolt M10x30 (B) and washer 10 (K) to insert nut (P) through pre-drilled hole.

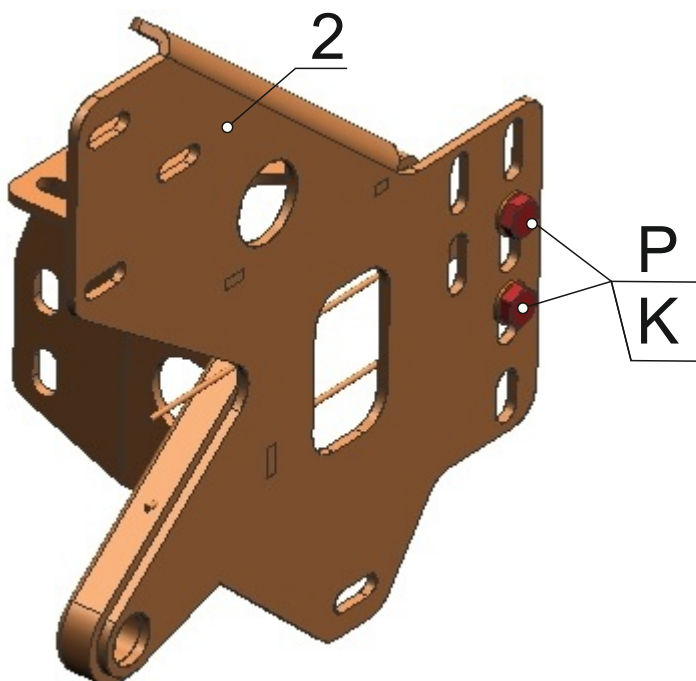


20. Increase the size of the 2 holes on left side of chassis by drilling them to 10mm diameter.

**LEFT SIDE ONLY**  
**AS INDICATED BY ARROWS**

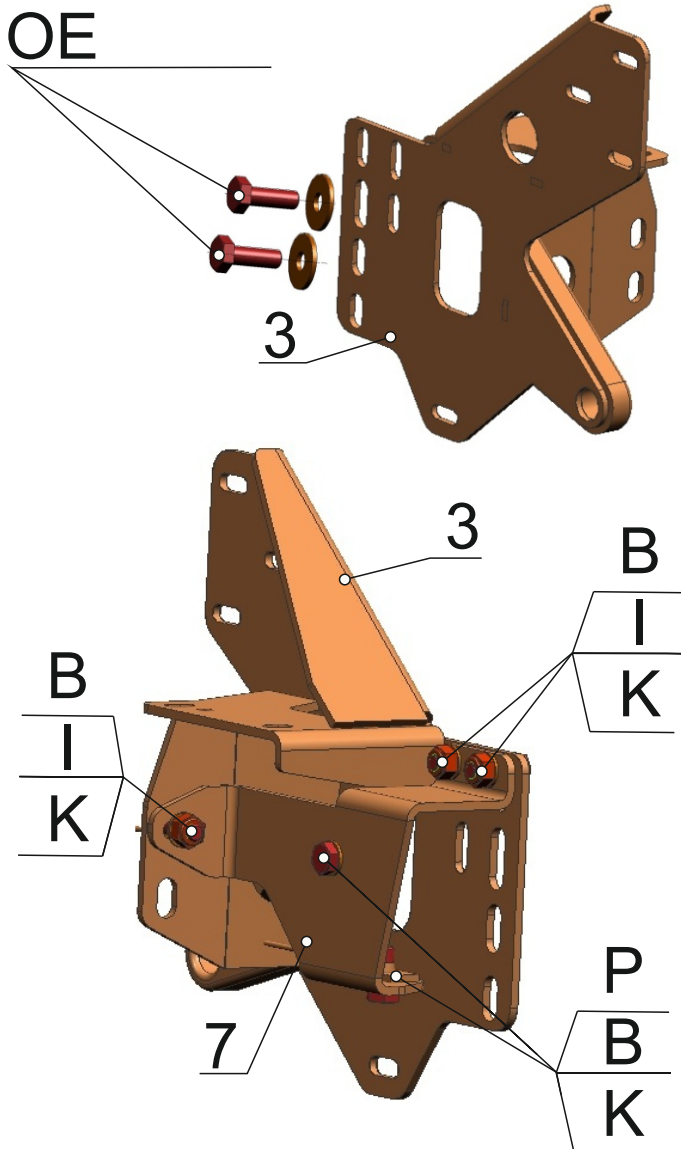


21. Insert nuts M10 (P) into OE aperture in chassis



22. Install left bracket (2) onto the chassis. Fix the bracket to insert nut M10 (P) using bolts M10x30 (B) and washers 10 (K).

DO NOT TIGHTEN YET.

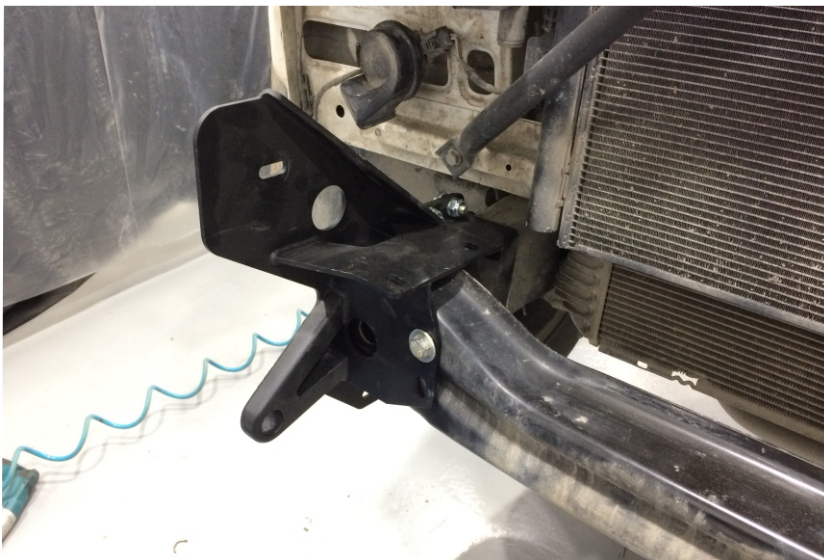


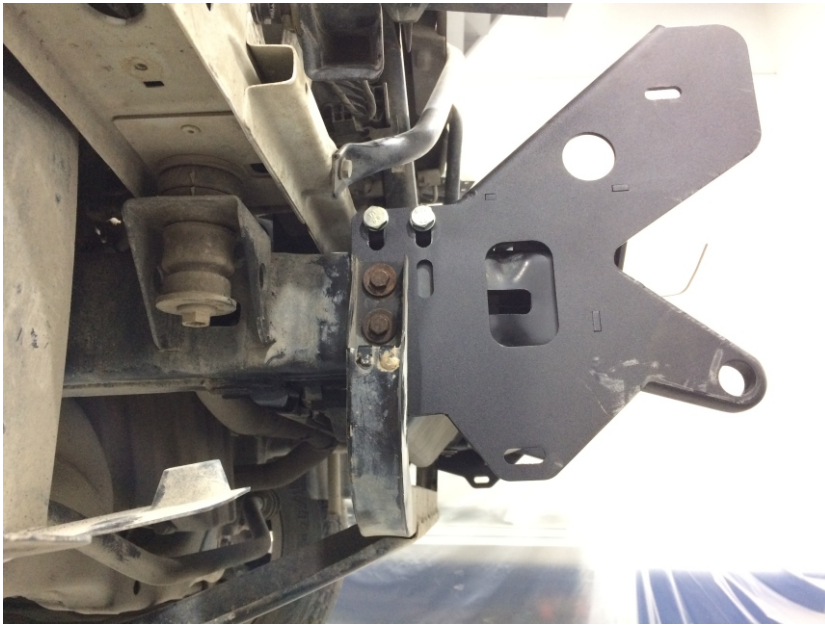
26. Install right bracket (3) onto the underframe, then fix it with OE bolts and nuts. **DO NOT TIGHTEN YET.**

27. Fix right adjusting bracket (7) to the right bracket (3) using bolts M10x30 (B), nuts M10 (I) and washers 10 (K).

Do not tighten yet.

Fix right bracket (3) and right adjusting bracket (7) to insert nuts (P) (see step 21), using bolts M10x30 (B) and washers 10 (K). From side, fix it by bolt M10x30 (B) and washer 10 (K) to insert nut (P) through pre-drilled hole.

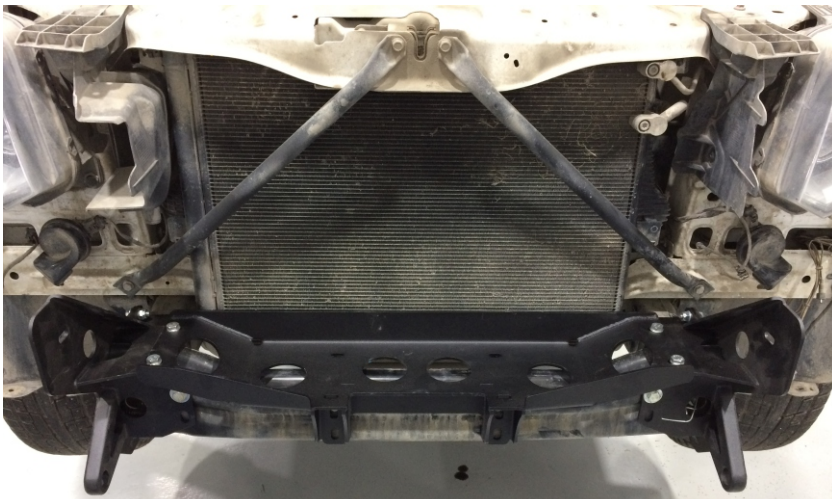




28. Install underbody armour. Fix its right side over the bracket.

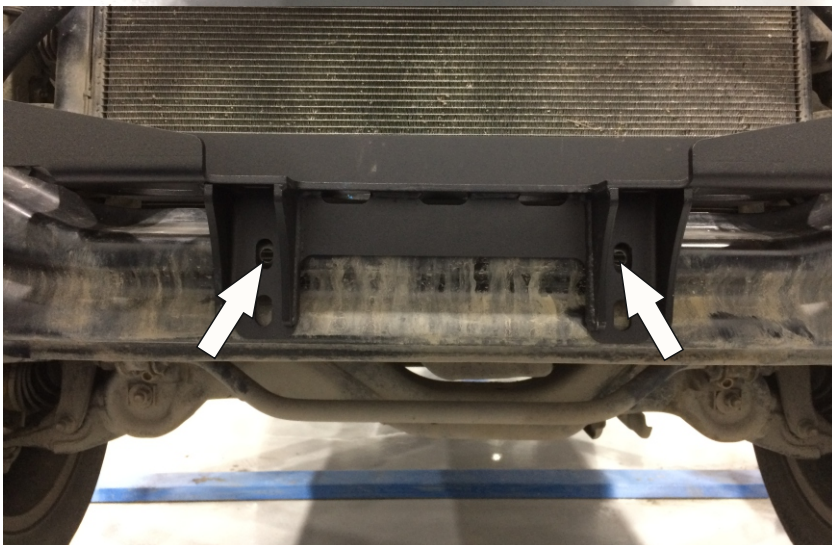
29. Place washer M12x37



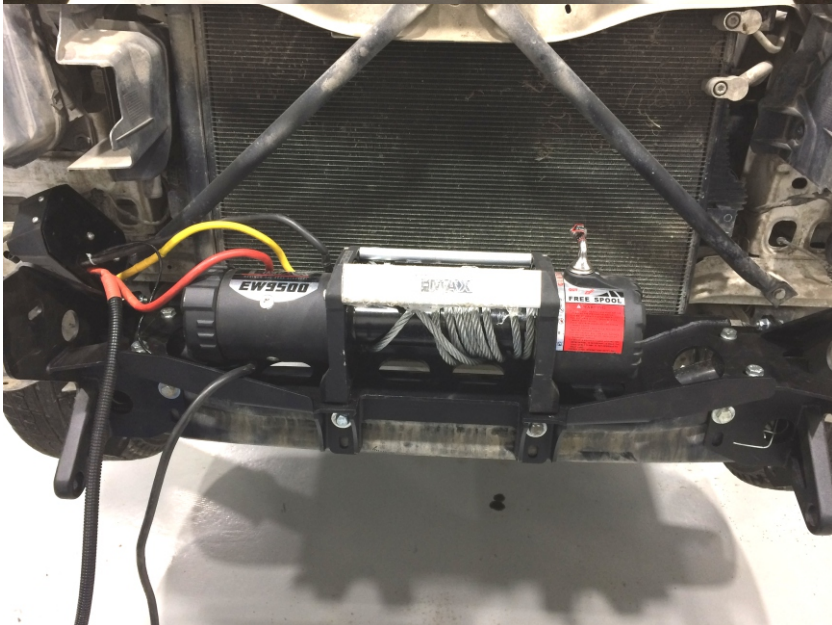


30. Mount winch bracket (10) to brackets (2) and (3), fix them by bolts M10x30 (B), nuts M10 (I) and washers 10 (K).

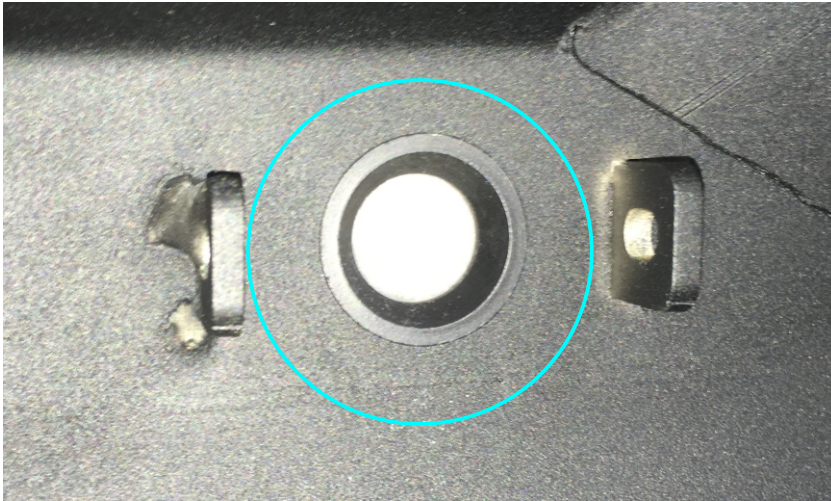
Measure the distance between the outer sides of the right and left brackets. The distance should be no more than 966 mm. If it is more, pull the brackets towards each other and tighten all screws.



31. Drill 10mm holes in the chassis. Fix winch bracket to the chassis through drilled holes using bolts M10x30 (B), nuts M10 (I) and washers 10 (K). Tighten all screws.



32. Install winch (not supplied with bumper) to winch bracket (10), fix it using bolts supplied with the winch.



33. Hammer out 4 parking sensors plugs from the bumper (For the vehicle with parking sensors).  
Install parking sensor washers (pos. R) into the holes that you hammered out.

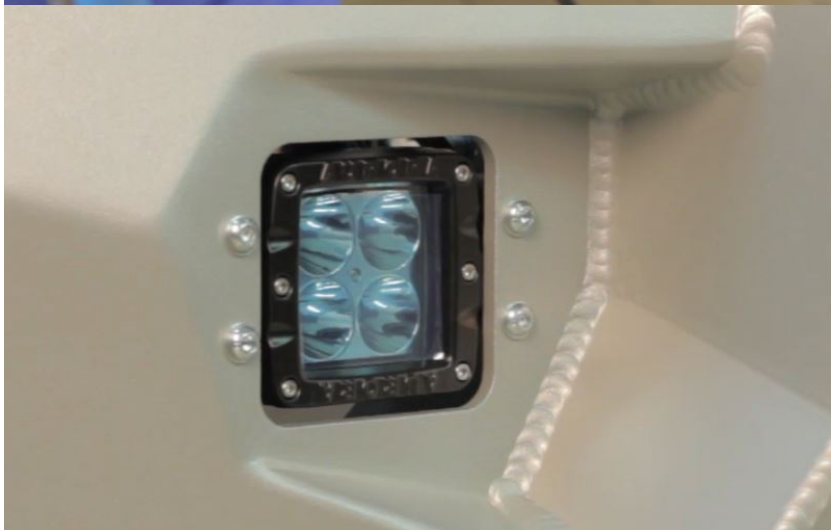


34. Install parking sensors into the parking sensors washers and attach it using parking sensor holding brackets (Y). Attach parking sensor holding brackets using screws M6x16 (D) and washers 6 (J).



35. \* Mount LED lights into brackets (4).  
Tighten the joints.

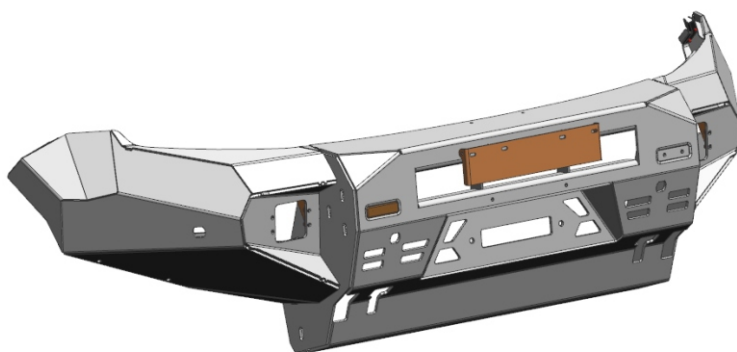
\*for Bumper supplied with LED lights.



36. \* Install brackets with LED lights onto the bumper using screws M6x20 (E). Adjust to desired position.

\*for Bumper supplied with LED lights.





37. Place license plate holder (5) on the bumper (1) using bolts M6x20 (A), nut M6 (H) and washers 6 (J). Adjust latches horizontally and vertically until in desired position. Tighten screws.

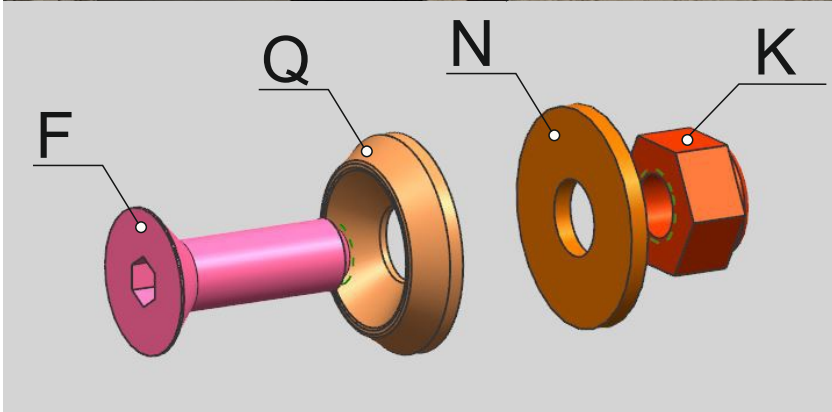


38. Mount right radiator grill bracket (U) using bolts M6x20 (A) and washer penny 6 (L).

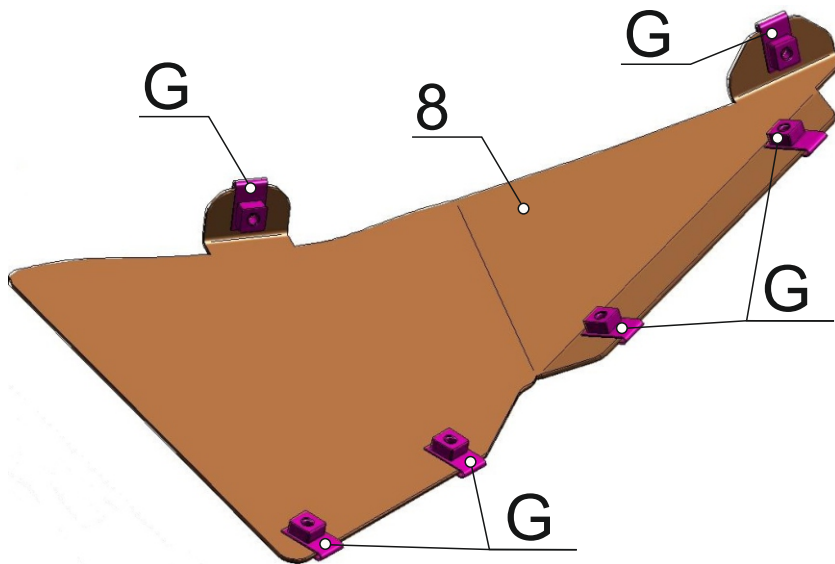
39. Mount left bracket of radiator grill (T) using bolts M6x20 (A) and washers 6 (J). Fix the temperature sensor into aperture of the bracket.



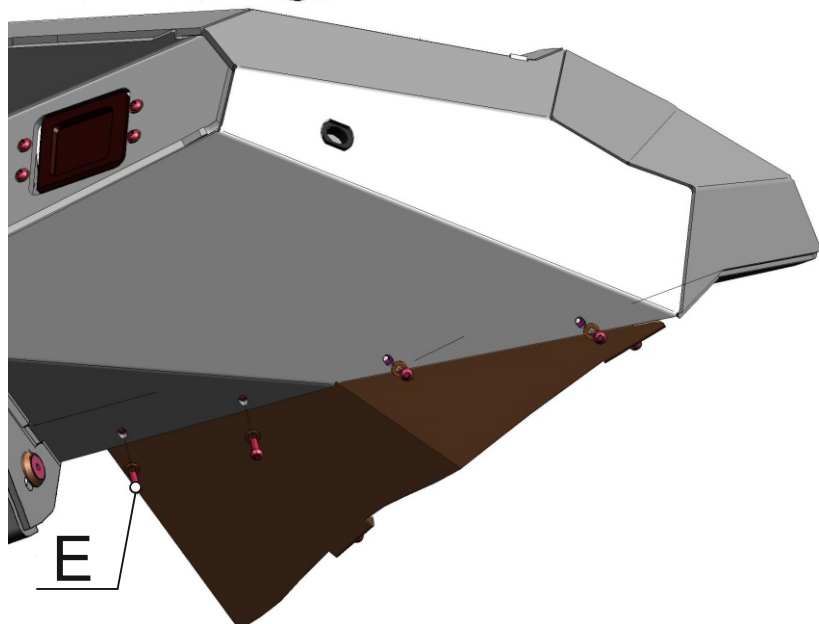
40. Install bumper body onto the vehicle. Place screws M10x30 (F) with countersunk washers (Q) into holes as shown on the picture and secure with nuts M10 (K) and penny washers 10 (N).



41. Adjust bumper until you have an equal gap between vehicle body and the bumper on both sides. Tighten bolts after that.



42. Place M6 U-nut (G) on left and right flaps (8) and (9).

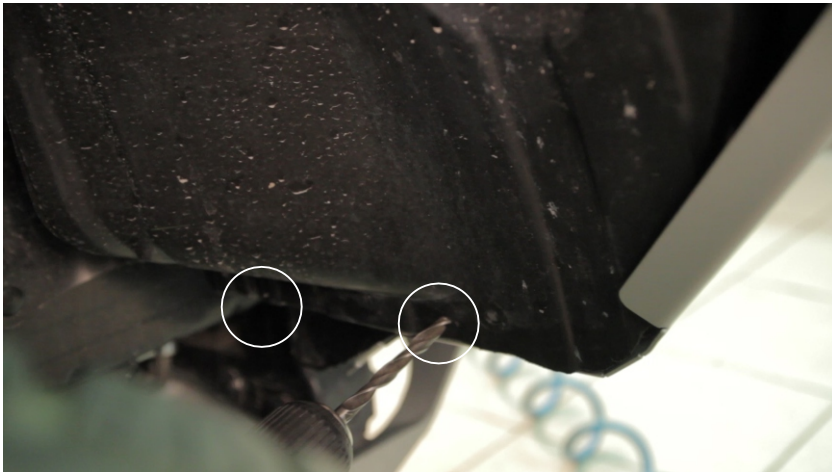


43. Install flaps using screws M6x20 (E). Make sure the flaps are fixed inside of the bumper, not outside.



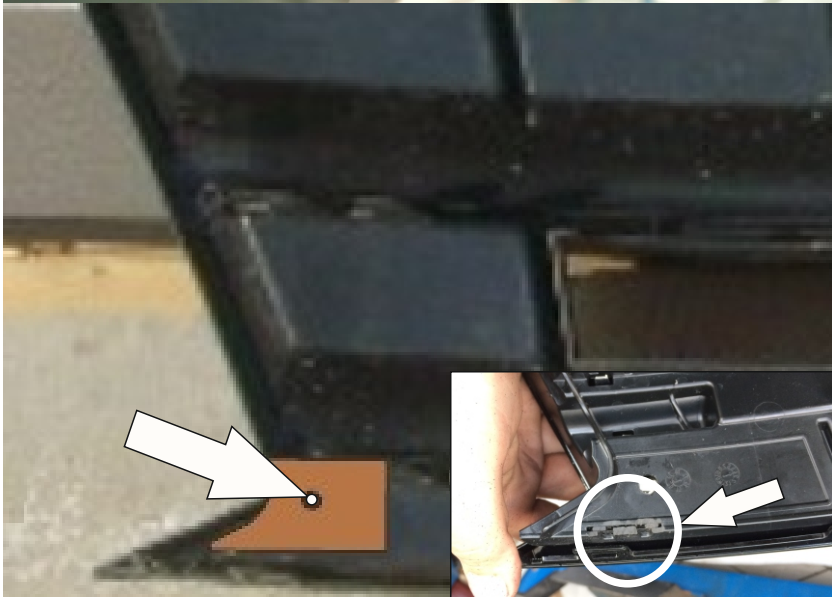
44. Push the flaps to OE plastic fenders and mark the cut line, then cut OE plastic fender.

\*It's easier to cut plastic fender when the flaps are not installed.



45. Mark two holes from inner side of the wheel fender. Drill a 6-8 mm diameter hole.

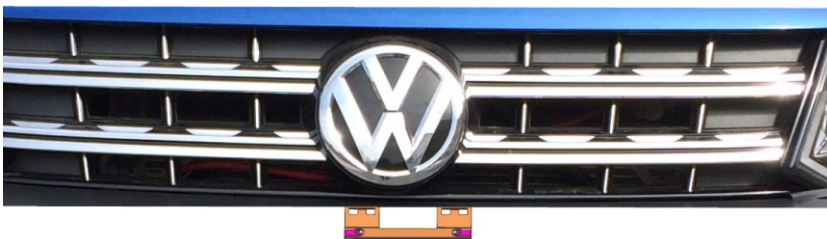
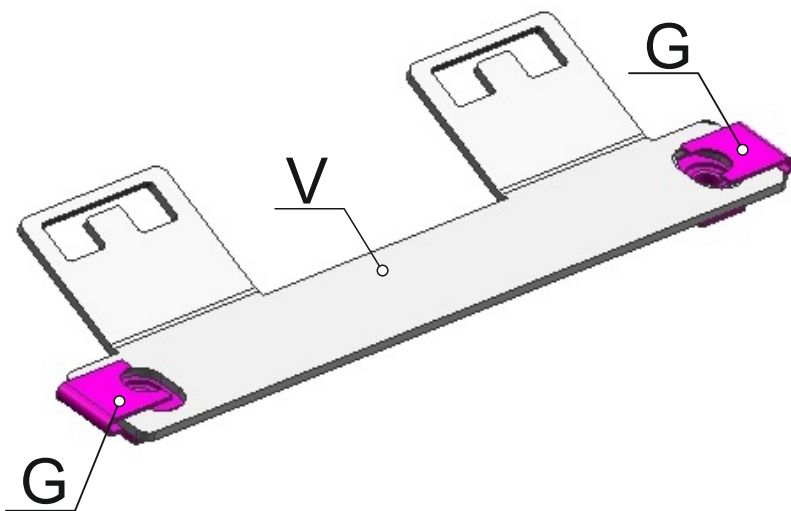
Fix the flaps through these holes using screws M6x20 (E) and penny washers 6 (L).



46. Place the template (W) on inner side of radiator grill as shown on the picture. Mark and drill a hole for the cap (S).

47. Cut plastic elements of the grill as shown on the picture.

48. Place M6 U-nut (G) onto central radiator grill bracket (V).



49. Place central bracket (V) onto the radiator grill bracket.



50. Install the grill to the vehicle. Fix its upper side with OE fittings, then fix its lower sides to brackets through drilled holes using caps (S).

Fix the center bracket to the bumper body using screws M6x20 (E).

\*for Amarok 2010-2016 where the radiator grill and OE plastic bumper are one part, it is necessary to cut the grill off the bumper or to buy a separate radiator grill.

**Before operating a vehicle fitted with a RIVAL bumper:**

- make sure all fittings are tightened
- check winch operation
- check all electrical wiring attached to lights

