

INSTALLATION MANUAL

PRODUCT: **HIDDEN WINCH MOUNTING BRACKET**

MODEL: **TOYOTA HILUX (2015-2018; 2021-)**

PART NO: **2L.5702.1**



CAUTION!

To reduce the risk of serious injury or damage, please read and understand all instructions and procedures before attempting to install or use this product.

Safety glasses must be worn at all times during installation or maintenance of this product.

Ensure all mounting bolts are tensioned after 1000 kms and periodically there after.

HIDDEN WINCH MOUNTING BRACKET

Part Number: 2L.5702.1
Suited to vehicle: Toyota Hilux 2015-2018;
2021-
Material: Steel 5 mm
Dimensions: 954x293x136 mm
Weight: 13.5 kg



SAFETY NOTICE

- * The RIVAL concealed winch mounting bracket is designed to compliment the use and design of the specified vehicle under conditions specified by the car manufacturer.
- * While driving the vehicle at any speed, collision with any other vehicle, animal or object must always be avoided.
- * The operation of a vehicle where the bracket is not properly attached and fastened to the vehicle, or where it has been damaged, must be avoided at all cost.
- * It is recommended that you carry out regular inspections of all the bracket fittings.
- * Do not install any winch with a higher pulling capacity than winch is specified in the manual.

INSTALLATION NOTICE

- * The RIVAL concealed winch mounting bracket must be mounted and affixed to the vehicle according to the installation manual provided by an authorized RIVAL dealer or Motor dealer or by a special vehicle repairer or fitment center.
- * Personal safety during the installation process must be adhered to at all times and the use of personal safety equipment is highly recommended.

REQUIRED TOOLS

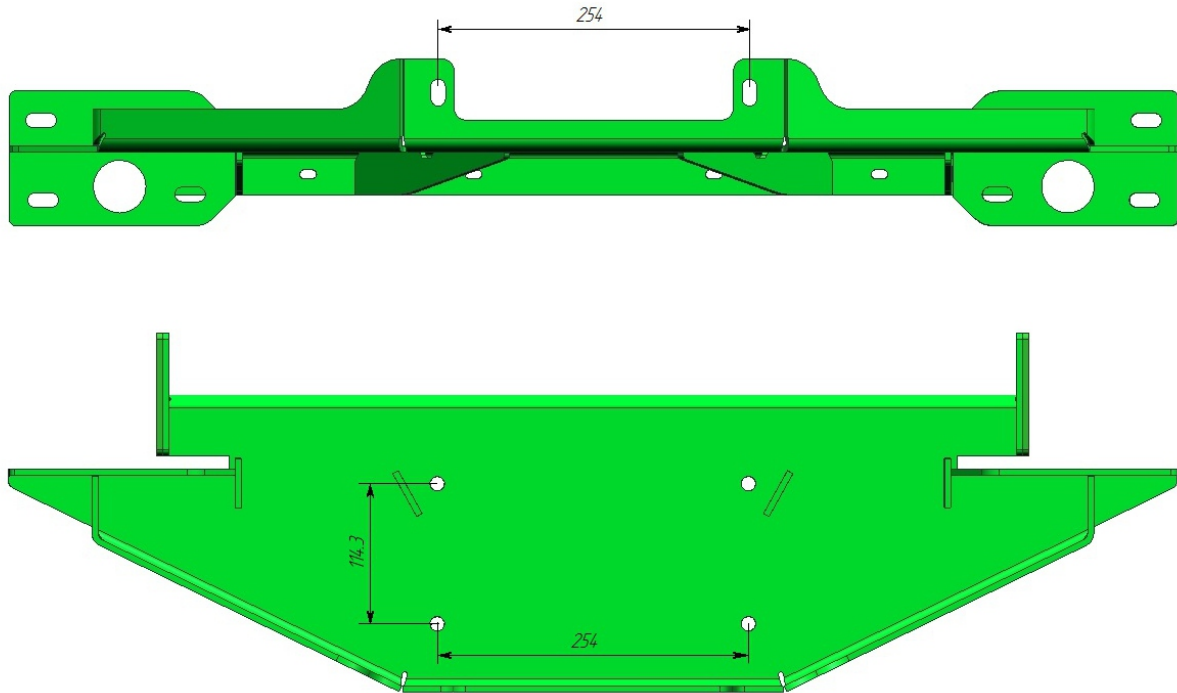
- * Basic tool kit
- * Electric drill
- * Drill set
- * Marker
- * Knife

TORQUE SETTINGS

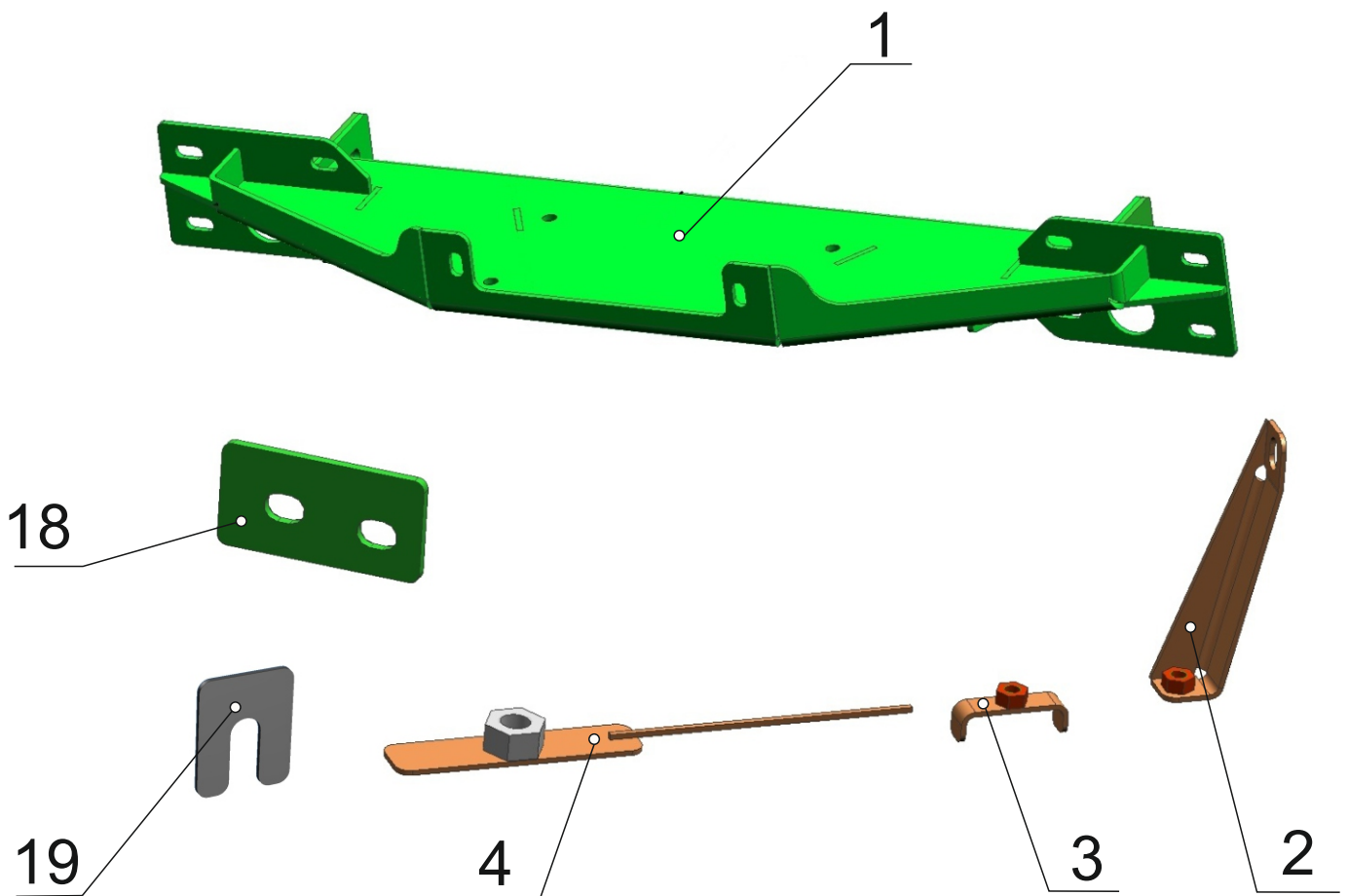
- * M8 30 Nm
- * M10 44 Nm
- * M12 77 Nm

WINCH INSTALLATION

A winch with a pull capacity of up to 11000lb (4989 kg) can be installed with the RIVAL concealed winch mounting bracket. It is not advisable to exceed this pulling capacity since damage, injury or death may occur where the 11000lb recommended capacity is exceeded.



1. Winch bracket.....	1 pc
2. Bumper bracket.....	3 pc
3. License plate bracket.....	2 pc
4. Insert nut M12.....	2 pc
5. Bolt M6x20.....	3 pc
6. Bolt M10x40.....	4 pc
7. Bolt M12x40.....	4 pc
8. Screw M6x50.....	2 pc
9. Nut M6.....	3 pc
10. Nut M10.....	4 pc
11. Nut M12.....	2 pc
12. Washer 6.....	6 pc
13. Big washer 6.....	2 pc
14. Washer 10.....	8 pc
15. Washer 12.....	2 pc
16. Spring washer 12.....	2 pc
17. Big washer 12.....	4 pc
18. Spacer.....	2 pc
19. Adjustment spacer.....	4 pc



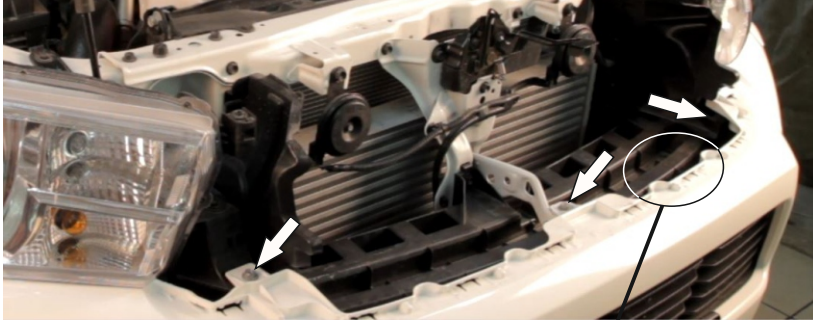


1. Open the bonnet. Remove plastic clips and dismount plastic cover.

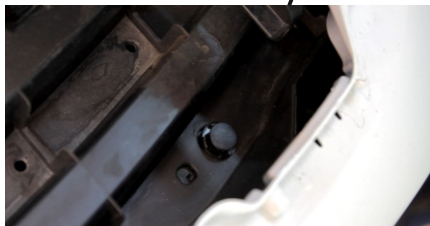
***Set aside for re-use later.**



2. Remove shown screws. Dismount radiator grill.



3. Remove shown screws and plastic clips.



4. Remove lower screws as shown.



5. Remove 3 clips from each side.

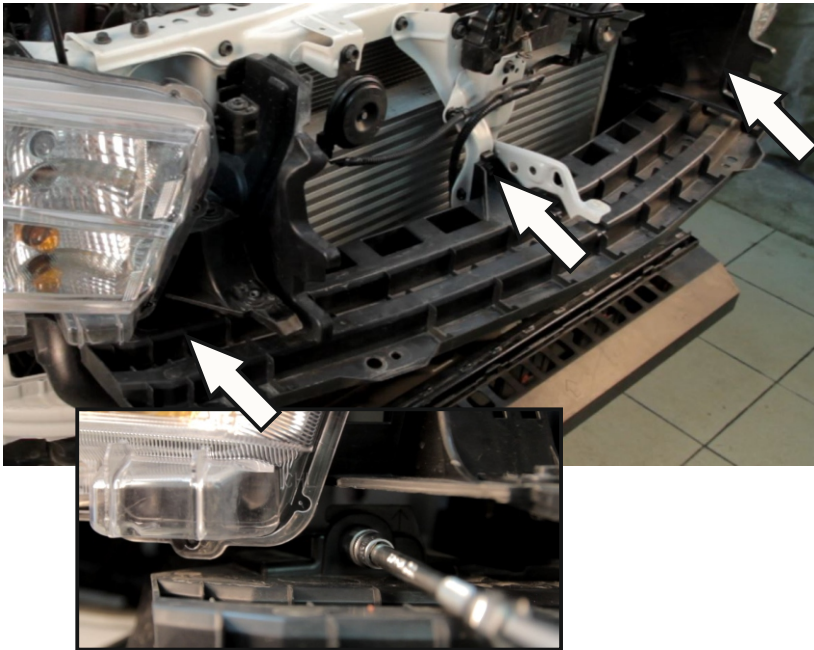


6. Remove the bumper by pulling the bumper towards you holding the sides

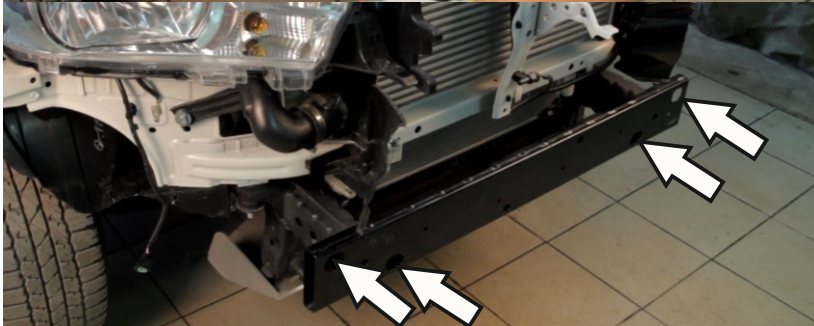
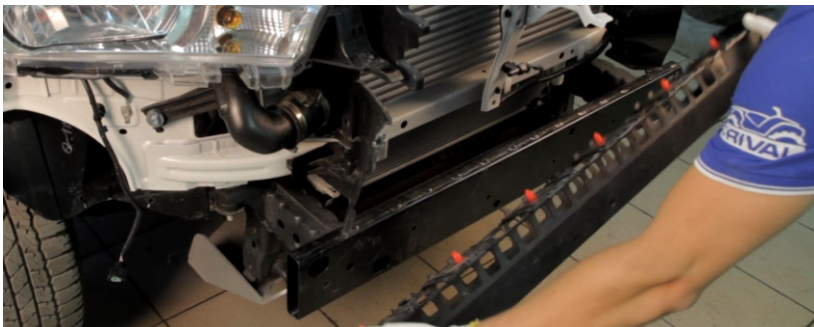


7. Remove the washer hose and disconnect wires.

Make sure the washer bottle is empty before.



8. Remove 3 bolts and dismount plastic cover.



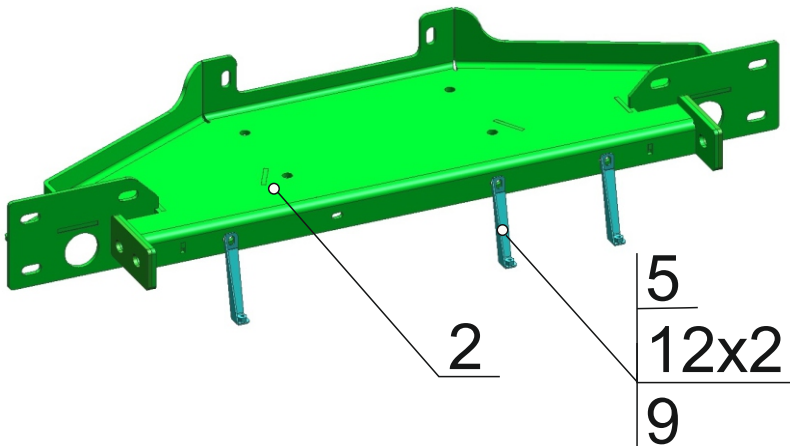
9. Remove 4 bolts and dismount front bracket as shown.

***Set bolts aside for re-use later.**



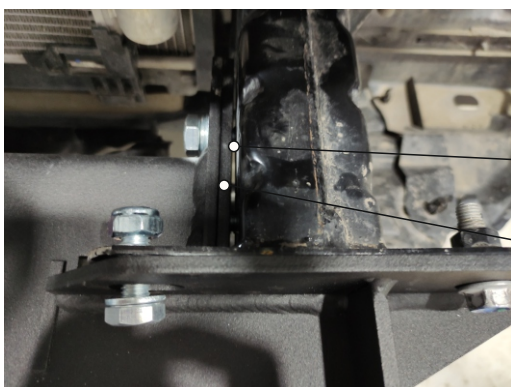
10. Install bumper brackets (2) to winch bracket (1) using bolts M6x20 (5), nuts M6 (9) and washers (12).

Do not tighten yet.



11. Install winch bracket (1) to the chassis using factory bolts, bolts M10x40 (6), nuts M10 (10) and washers (14).

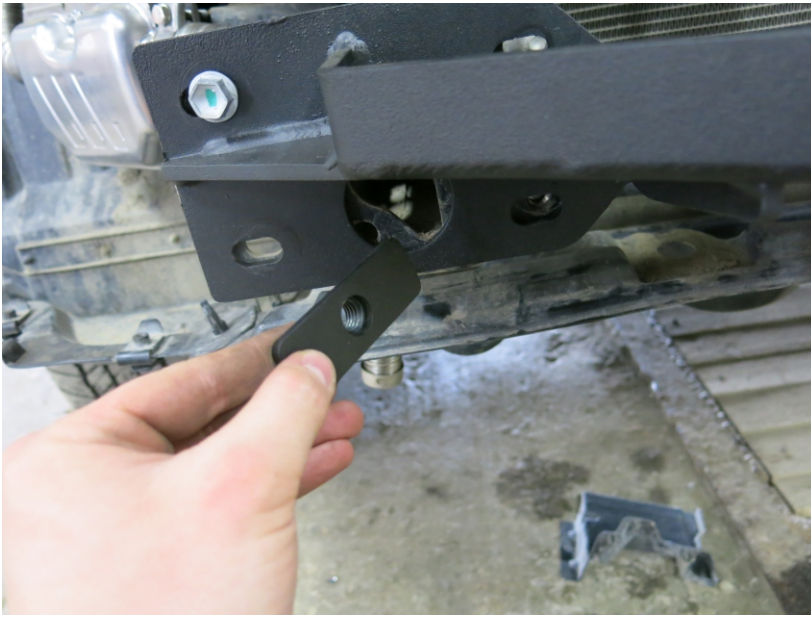
Do not tighten yet.



12. Install the spacers (18) as shown in the photo. In case of gaps between the beams of the car frame and the winch bracket, after installing the spacers (18), install the adjustment spacers (19) in the places indicated in the photo.

Do not tighten yet.





13. Fix winch bracket to insert nut M12 (4). Place insert nut into hole in the chassis and fix it using bolt M12x40 (7), washers (15 and 16).

Do not tighten yet.



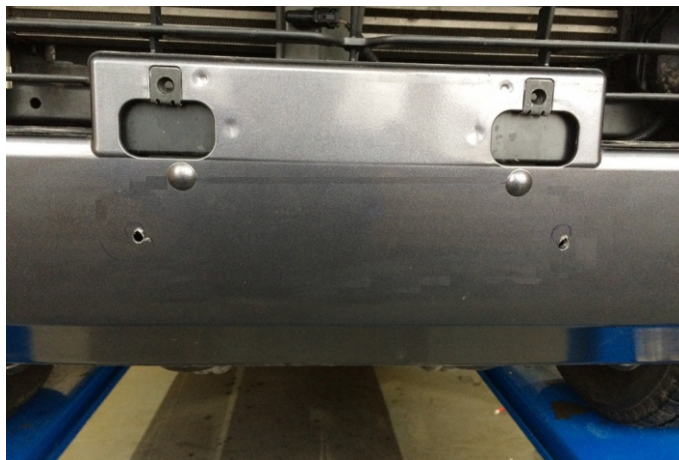
14. Fix winch bracket using bolts M12x40 (7), nuts M12 (11), washers (15 and 17).

Tighten all screws.

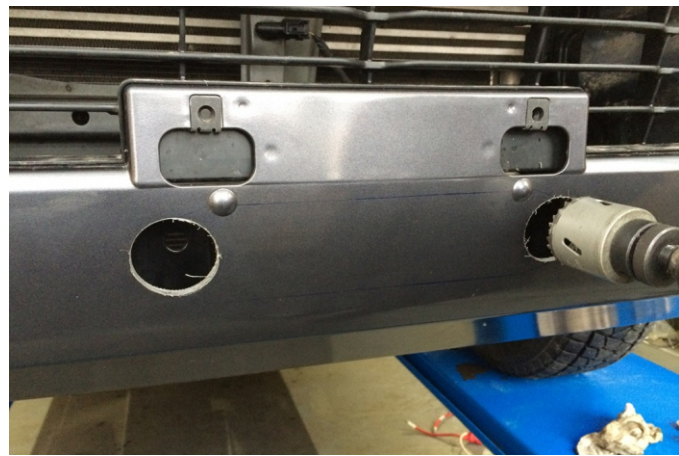


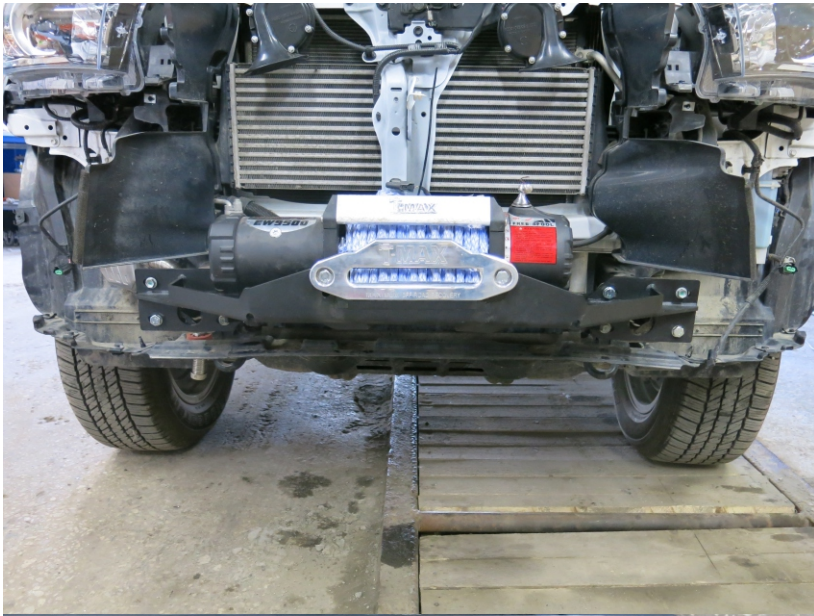


15. Temporarily place plastic bumper back to its place to mark cutting line for the fairlead



16. Gently cut the hole in plastic bumper.





17. Mount winch and fairlead.



18. Mount license plate frame to the bumper using brackets (3), screws M6x50 (8) and washers (13)





19. Install plastic bumper and grill to the vehicle.

Before operating a vehicle fitted with a RIVAL concealed winch mounting bracket:

- make sure all fittings are tightened
- connect the battery wiring which was previously disconnected
- check all electrical wiring
- check winch operation

