

INSTALLATION MANUAL

PRODUCT: **FRONT BUMPER**
MODEL: **TOYOTA HILUX (2015-2021)**
PART NO: **2D.5701.1.B-NL**



CAUTION!

To reduce the risk of serious injury or damage, please read and understand all instructions and procedures before attempting to install or use this product.
Safety glasses must be worn at all times during installation or maintenance of this product.
Ensure all mounting bolts are tensioned after 1000 kms and periodically there after.

NOTICE

Whilst the bumper adds additional protection to your vehicle, precautionary measures still need to be taken to avoid damage.
Always drive to the conditions and your surroundings.

ADR69 COMPATIBLE
AIR BAG COMPLIANT

FRONT BUMPER

Part Number:	2D.5701.1.B-NL
Suited to vehicle:	Toyota Hilux 2015-2021
Material:	aluminum/steel
Dimensions:	1874x746x485 mm
Weight:	53kg
Compatibility:	RIVAL 5710.1 Underbody Armour



SAFETY NOTICE

- * The RIVAL Bumper is designed to compliment the use and design of the specified vehicle under conditions specified by the car manufacturer.
- * While driving the vehicle at any speed, collision with any other vehicle, animal or object must always be avoided.
- * Following any collision with any other vehicle, animal or object, the RIVAL Bumper and the vehicle must be inspected by a specialized or suitably qualified vehicle repairer for possible damage to the components and assemblies in order to confirm suitability for further use of the vehicle.
- * It is strongly recommended that you do not operate a vehicle with a damaged bumper or its components. In the case of damage, please contact the nearest RIVAL dealer.
- * The operation of a vehicle where the bumper is not properly attached and fastened to the vehicle, or where the bumper has been damaged, is extremely dangerous and must be avoided at all cost.
- * It is recommended that you carry out regular inspections of all the bumper elements such as all bolts, wires, connectors.

INSTALLATION NOTICE

- * The RIVAL Bumper must be mounted and affixed to the vehicle according to this installation manual.
- * Personal safety during the installation process must be adhered to at all times and the use of personal safety equipment is highly recommended.

REQUIRED TOOLS

- * Basic tool kit
- * Electric drill
- * Angle grinder
- * Drill set

- * Torque wrench
- * Box knife
- * Marker

TORQUE SETTING

- * M6 9Nm
- * M10 44Nm

*ADR69 AND AIR BAG SYSTEM

The RIVAL Bumper has been tested and certified to be compatible with ADR69 and will not affect the operation of the Air bag System on this vehicle.

This product or mounting brackets must not be modified in any way, and must be fitted in accordance with the installation instructions.

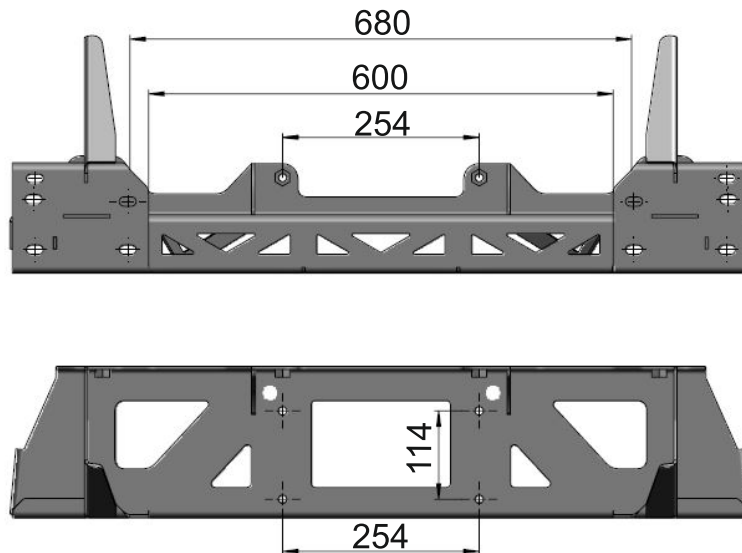
IMPORTANT NOTE

If the FRONT Bumper is to be colour coded it is the installers responsibility to check the fitment and alignment of the Bumper to the vehicle before painting is done. It is the painters responsibility to ensure that the Bumper is correctly prepared and high filled to achieve a quality finish. RIVAL is not liable for any costs associated with colour coding, or fitment issues post colour coding.

*WINCH INSTALLATION

A winch with a pull capacity of up to 12000 lb can be installed with the RIVAL Bumper. It is not advisable to exceed this pulling capacity since damage, injury or death may occur where the 12000lb recommended capacity is exceeded. There is a special license plate holder supplied with the bumper which will provide access to the winch.

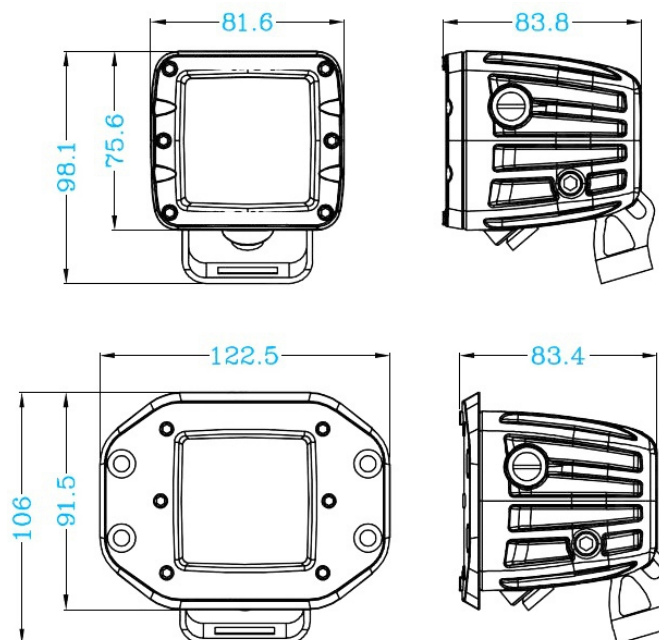
Winch measurements:



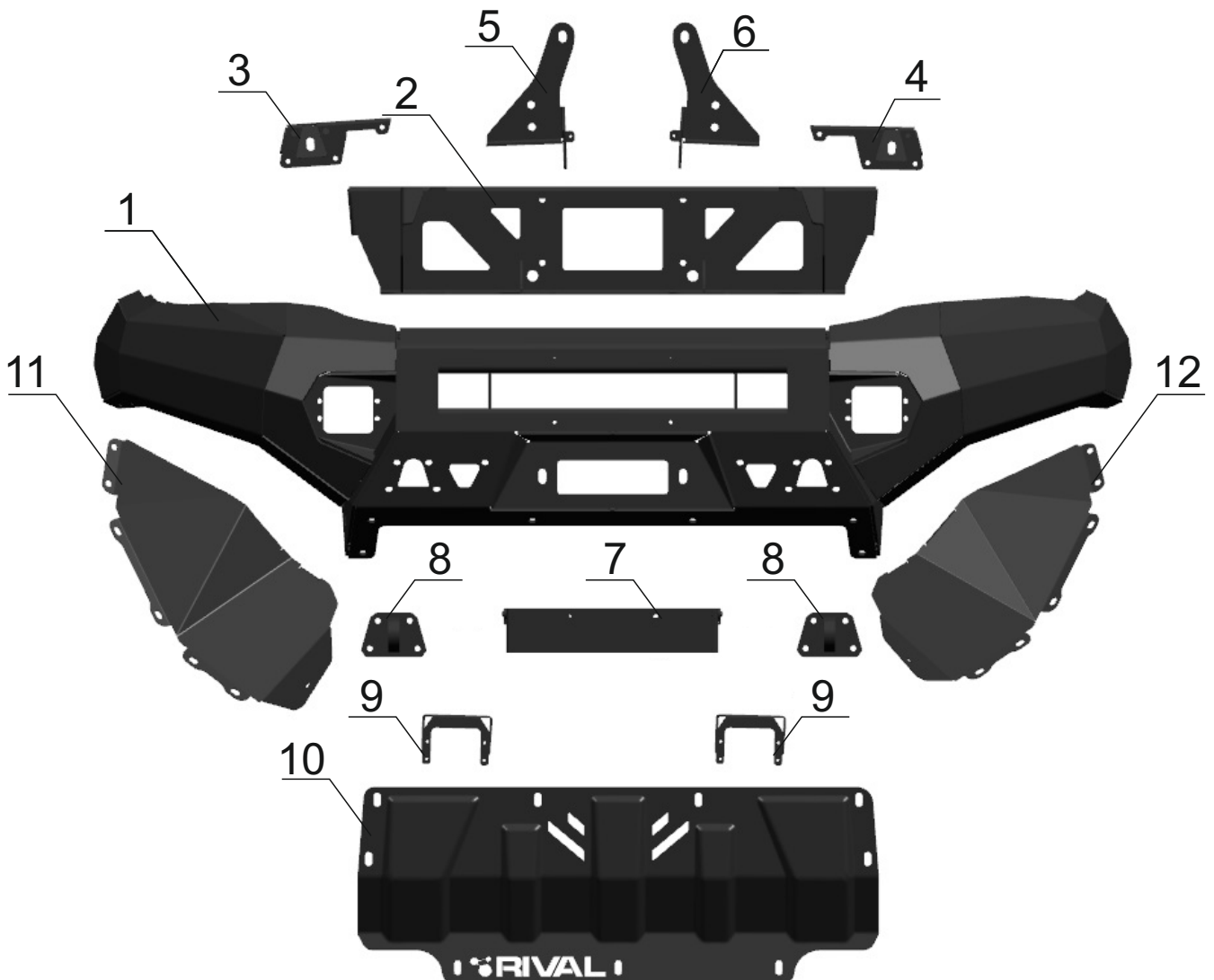
Winch size limits:

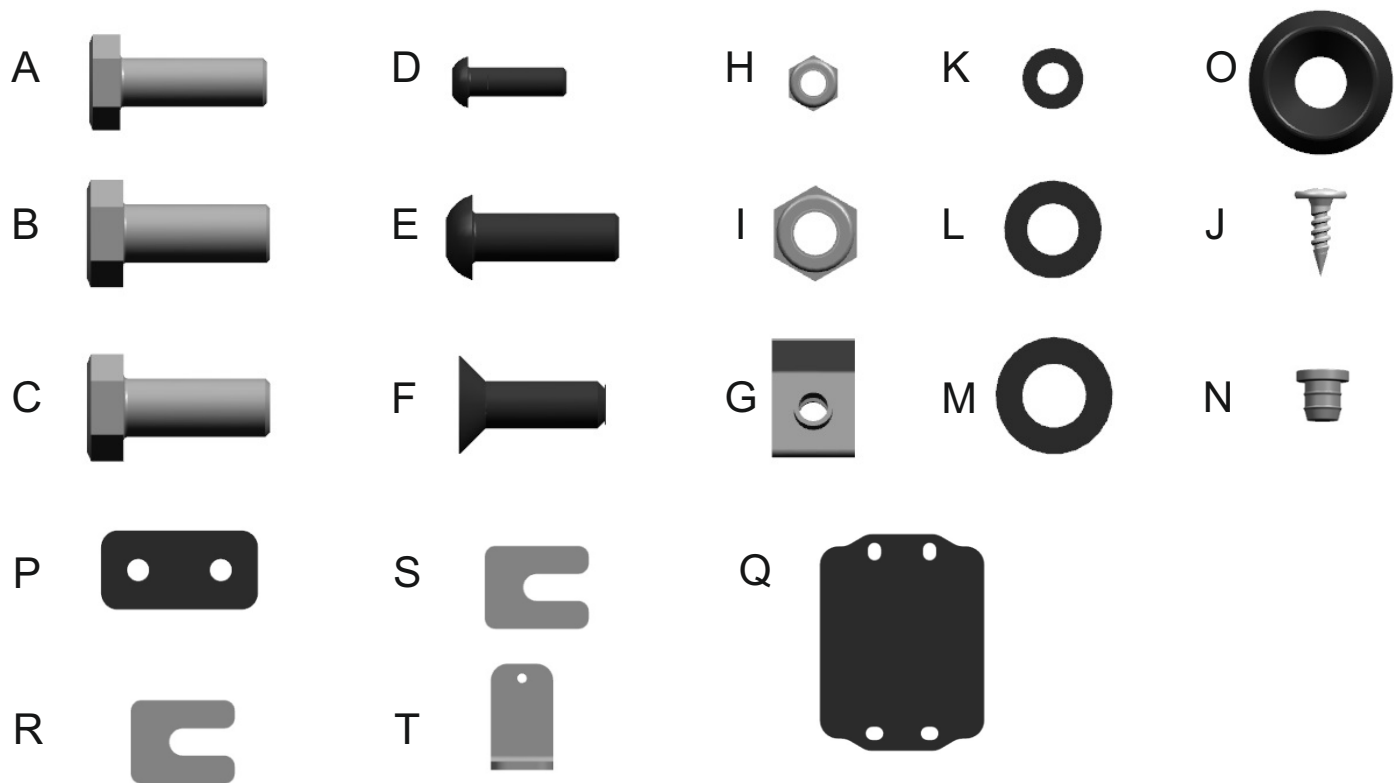
L 740 x W 160 mm x H 300 mm

Compatible with LED size below:



- 1. Aluminum bumper body..... 1 pc.
- 2. Winch bracket..... 1 pc.
- 3. Adapter right..... 1 pc.
- 4. Adapter left..... 1 pc.
- 5. Support bracket right..... 1 pc.
- 6. Support bracket left..... 1 pc.
- 7. License plate..... 1 pc.
- 8. Towing hook..... 2 pc.
- 9. LED brackets..... 2 pc.
- 10. Middle plate 1 pc.
- 11. Flap right..... 1 pc.
- 12. Flap left..... 1 pc.
- 13. Rubber profile..... 2 pc.
- 14. LED (depending on the delivery)..... 2 pc.





A. Bolt M10x30.....	12 pc.
B. Bolt M12x30x1.25.....	2 pc.
C. Bolt M12x30.....	6 pc.
D. Screw M6x20 round-head.....	28 pc.
E. Screw M10x30 round-head.....	10 pc.
F. Screw M10x30 countersunk-head.....	11 pc.
G. U-nut M6.....	16 pc.
H. Nut M6.....	2 pc.
I. Nut M10.....	14 pc.
J. Screw 4,2x16.....	1 pc.
K. Washer 6.....	30 pc.
L. Washer 10.....	36 pc.
M. Washer 12.....	8 pc.
N. Plug of washer fluid bottle.....	1 pc.
O. Countersunk washer.....	11 pc.
P. M12 nut plate.....	2 pc.
Q. Lamp plug.....	2 pc.
R. Adjusting plate 2mm.....	4 pc.
S. Adjusting plate 4mm.....	4 pc.
T. Bracket of radiator grill.....	1 pc.



1. Open the bonnet and remove all scrivenets holding the grille in place.

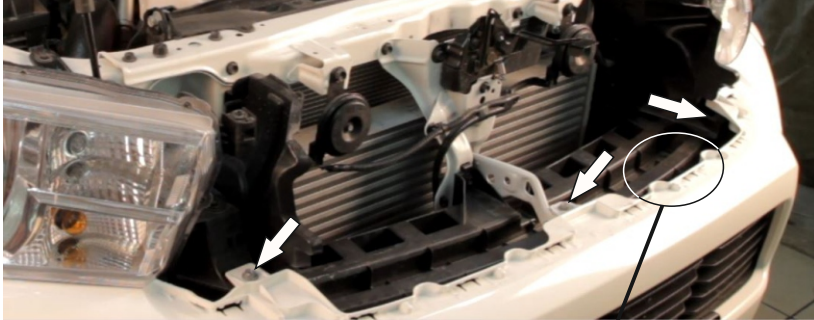
Set aside scrivenets removed for re-use later on.



2. Remove upper grille retaining screws.

Set aside for re-use later on.

Remove grille from bumper by carefully releasing locking tabs whilst removing.



3. Remove upper bumper retaining screws and scrivenets.

Set aside for re-use later on.



4. Remove lower bumper retaining screws.



5. Remove all screws retaining bumper along inside edge of wheel arches.

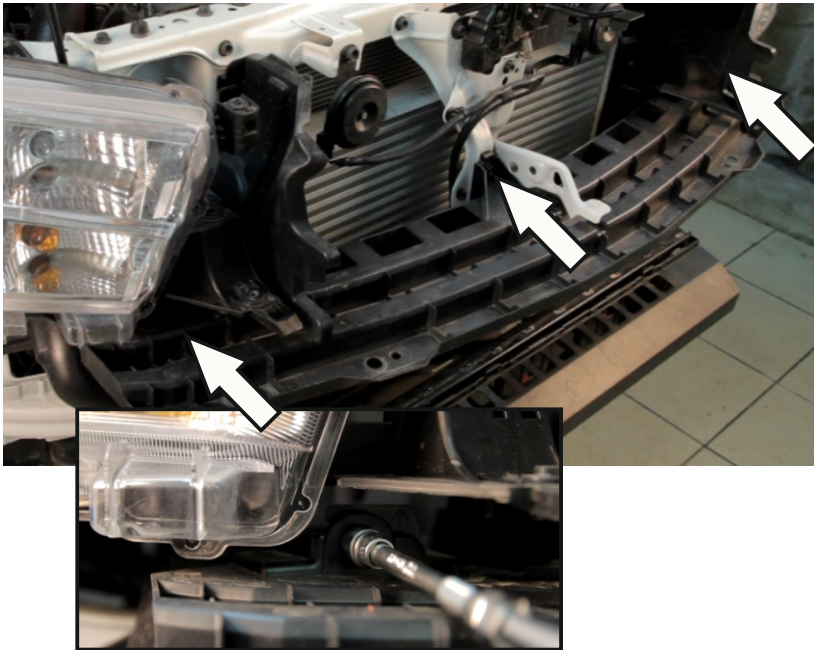


6. Carefully remove bumper from vehicle by pulling on each side of the bumper near the wheel arches and working your way towards the centre.

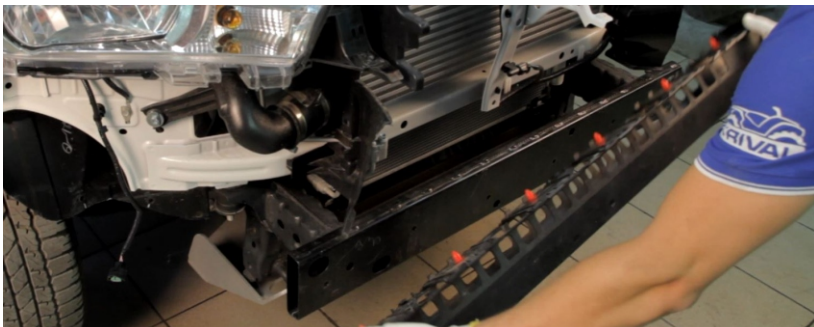


7. Disconnect lights.
Disconnect the washer fluid hose.

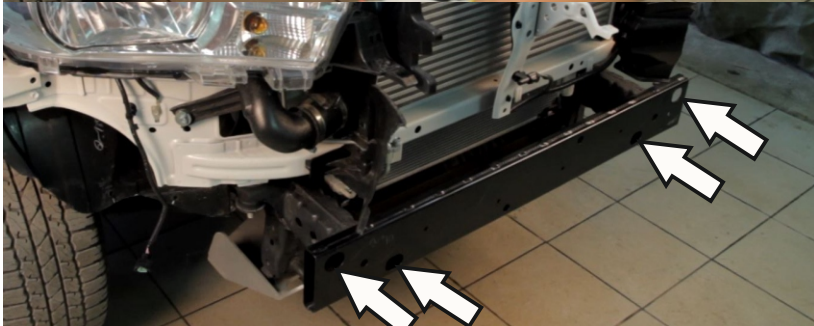
NB - If the vehicle is not fitted with headlight washers, please disregard this step.



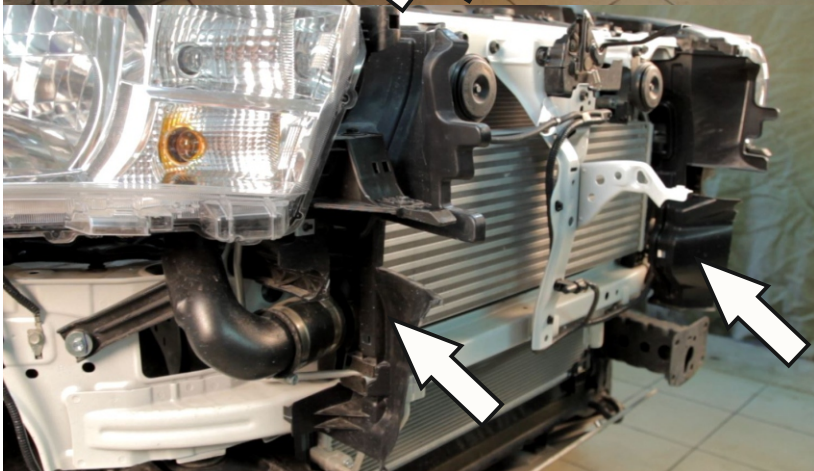
8. Remove 3xM6 screws from upper plastic deflector. Remove plastic deflector from vehicle and discard.



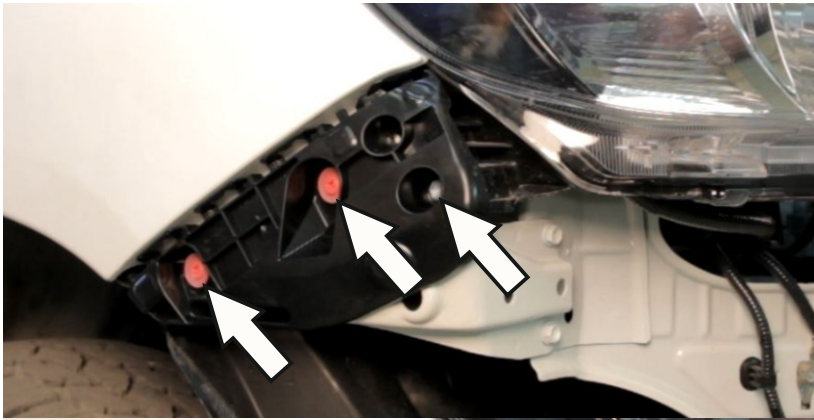
9. Forcefully pull the plastic crush absorber towards you and remove it.



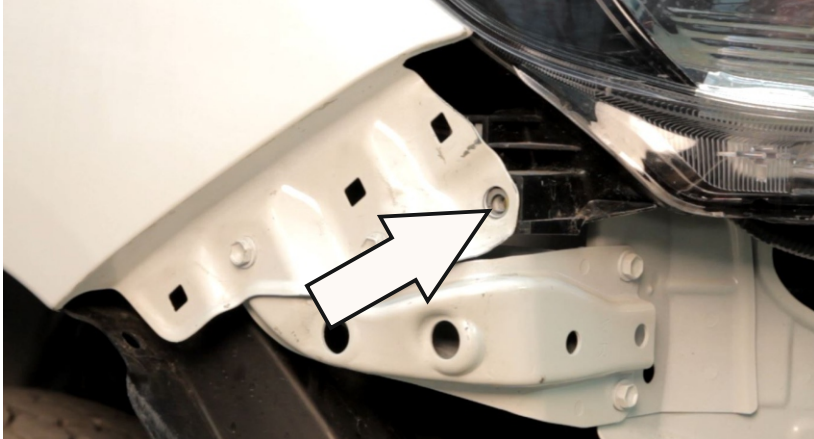
10. Remove 4xM10 bolts fixing crash beam to chassis. Set aside for re-use later on. Remove crash beam.



11. Remove plastic side deflectors



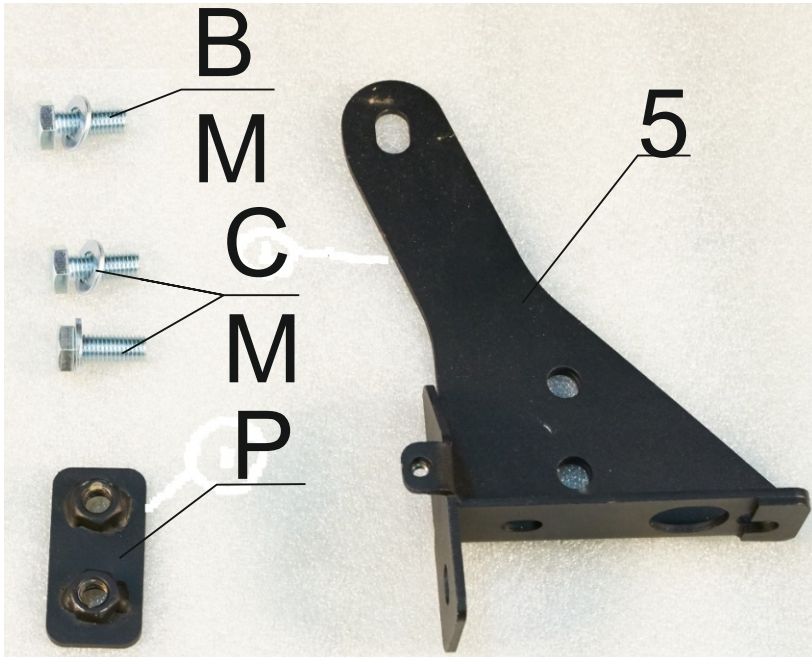
12. Remove M6 bolts and scrivers.
Remove plastic side fittings.



13. Screw bolt in to fix light.



14. Disconnect washer fluid bottle,
remove the pump and insert the
supplied plug instead (N).



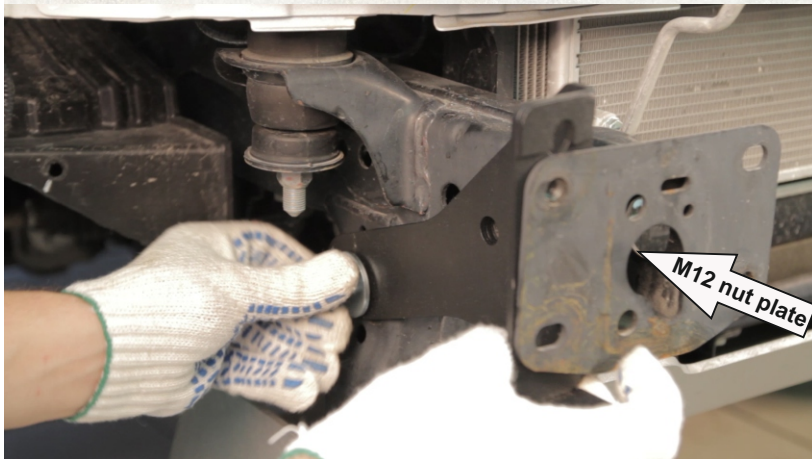
Winch bracket has been mounted to the Bumper Body for transport purposes.

Please remove the winch bracket before you begin installation.

15. Mount support bracket (5) and fix it with bolt M12x30x1.25 (B) with washers 12 (M) into OE threaded aperture. Place insert M12 nut plate (P) inside of the chassis rail and fix it with bolts M12x30 (C) with washers 12 (M).

DO NOT TIGHTEN YET.

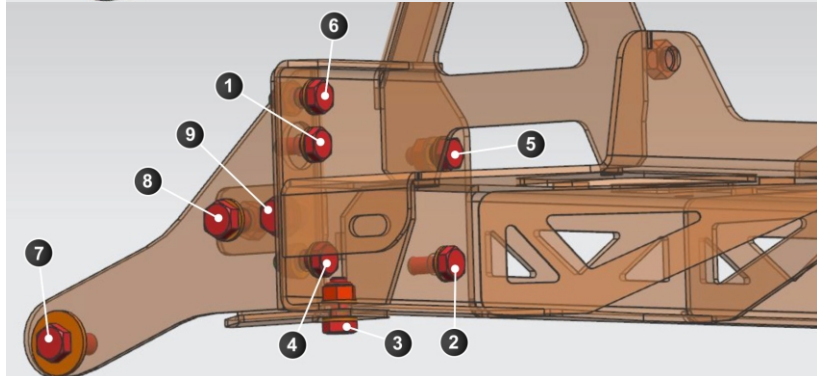
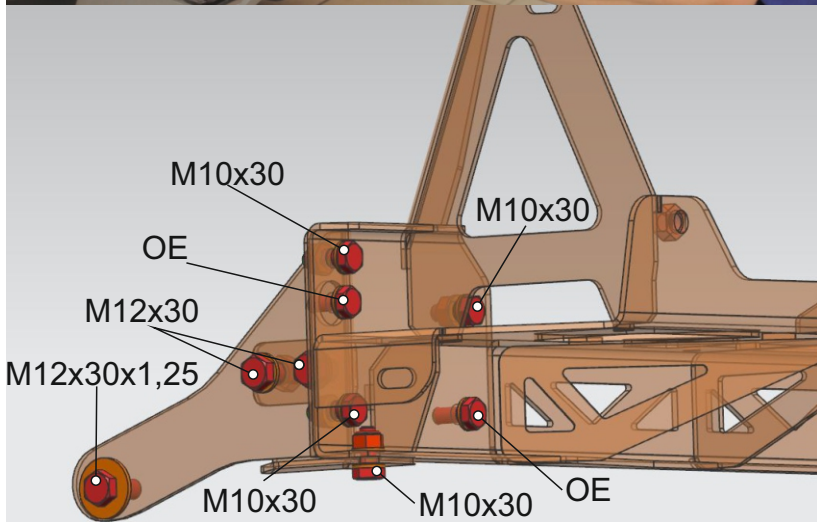
Repeat process on the other side.





16. Mount winch bracket (2). Use OE bolts and supplied bolts M10x30 (A), nuts M10 (I), washers 10 (L) from the RIVAL fitting kit bag.

Align winch bracket horizontally and vertically.

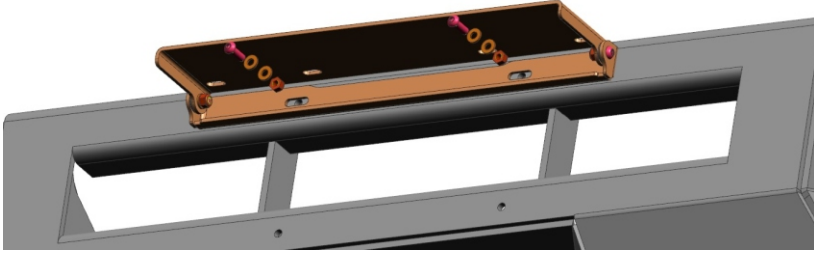


17. Tighten bolts in order shown.

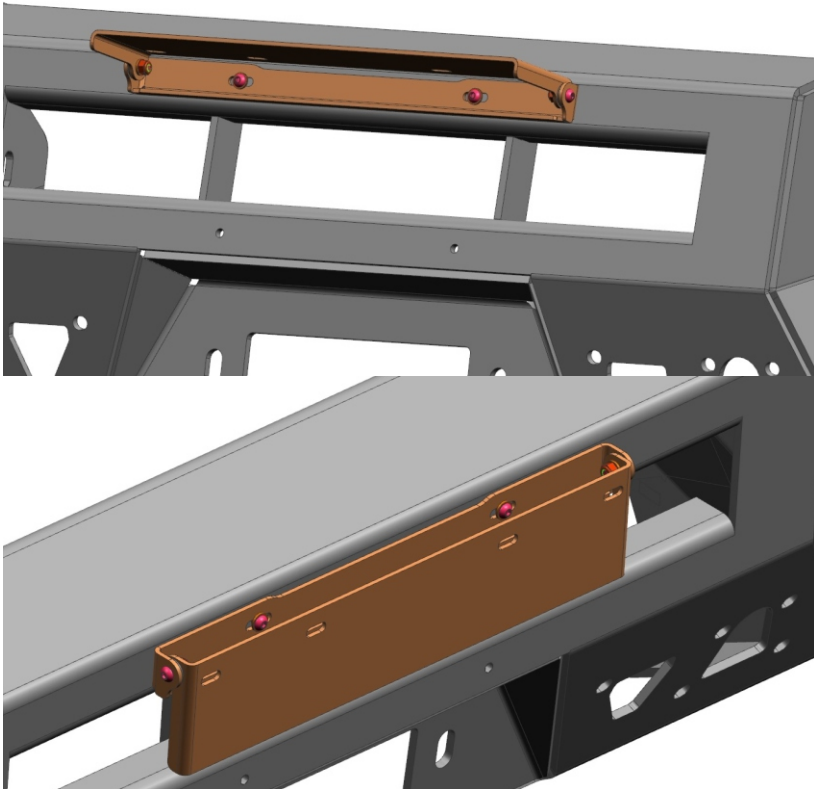


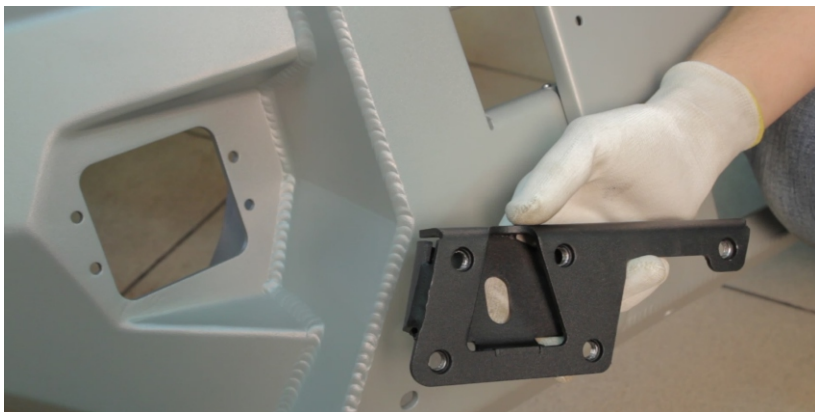
18. Mount the winch. Fix it to the mount with bolts supplied with the winch.

19. Install the number plate bracket (7) using screws M6x20 (D), nuts M6 (H) and washers 6 (K).



20. Adjust the number plate bracket (7), tighten all the threaded junctions.

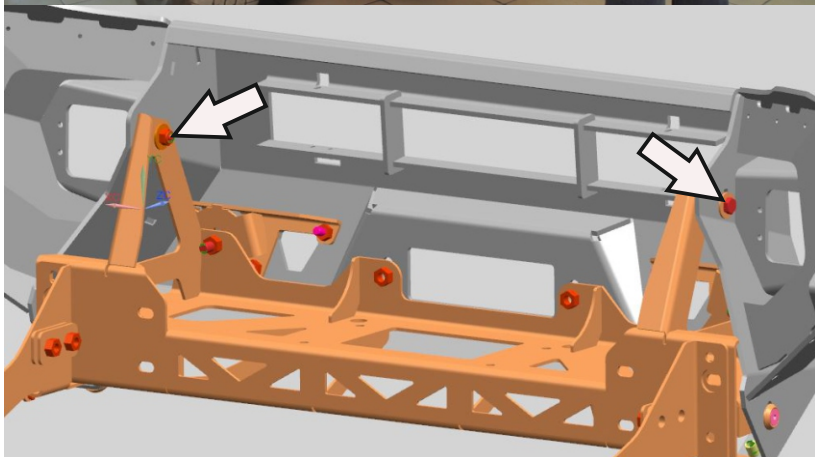




23. Mount adapters (3, 4) to bumper using round-head screws M10x30 (E), washers 10 (L). Use 2 screws from each side.

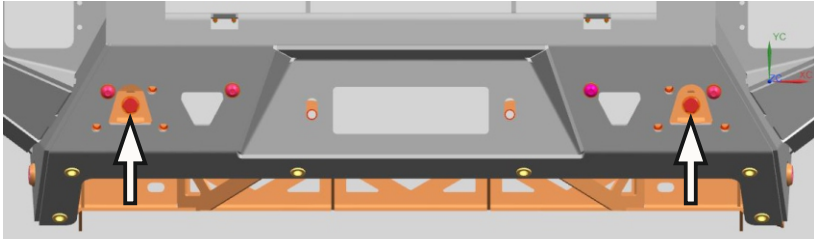


24. Install bumper body (1) onto the winch bracket.



23. Mount bumper body onto the winch bracket using M10x30 bolts (A), washers (L) and M10 nuts (I).

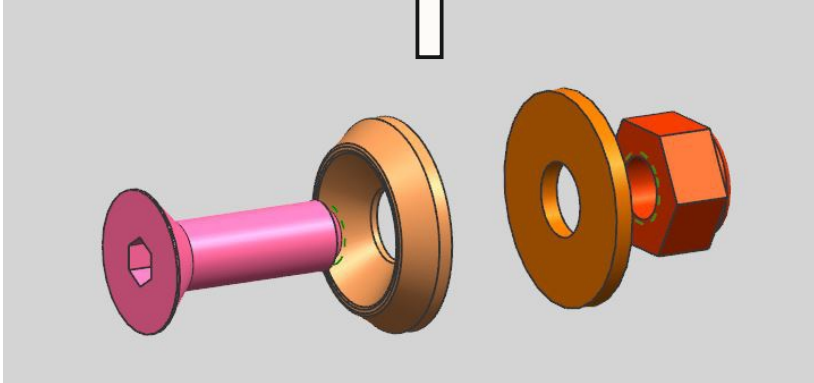
DO NOT TIGHTEN YET.



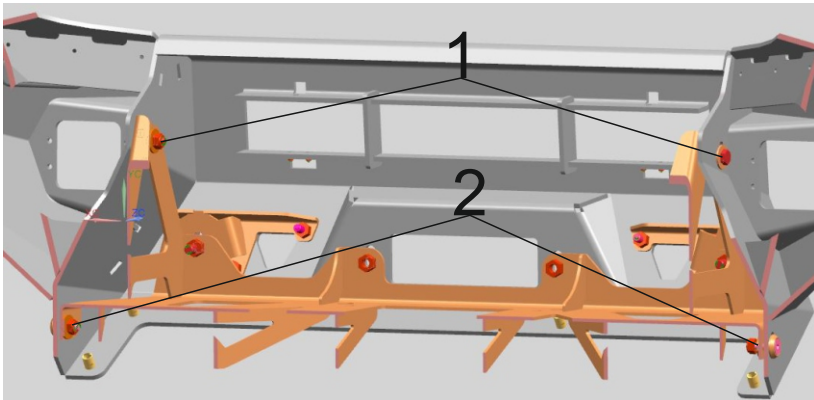
24. Give a few turns to bolts M12x30 (C) with washers 12 (M) which will assist with seating.



25. Place bumper body to the winch bracket using countersunk-head screws M10x30 (F), countersunk washers (O), washers 10 (L) and nuts M10 (I). DO NOT TIGHTEN YET.

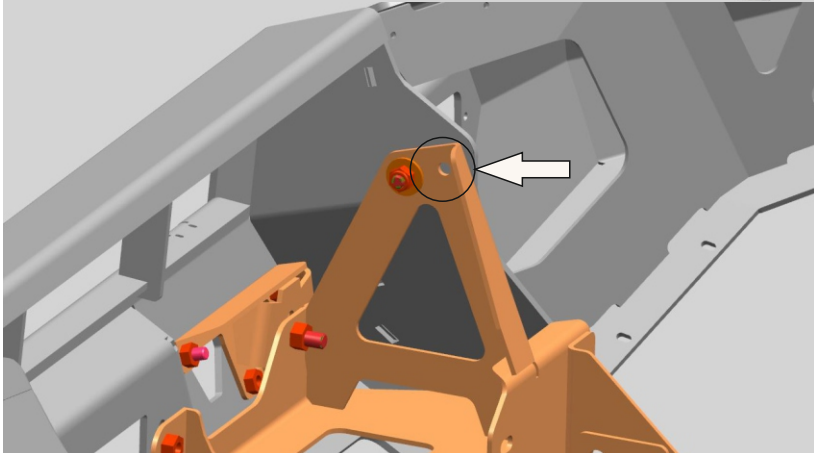


28. Adjust bumper (1) to reach an equal gap to the vehicle body on both sides. The gap should not be less than 18mm. A gap between the headlights and the rubber profile is acceptable.



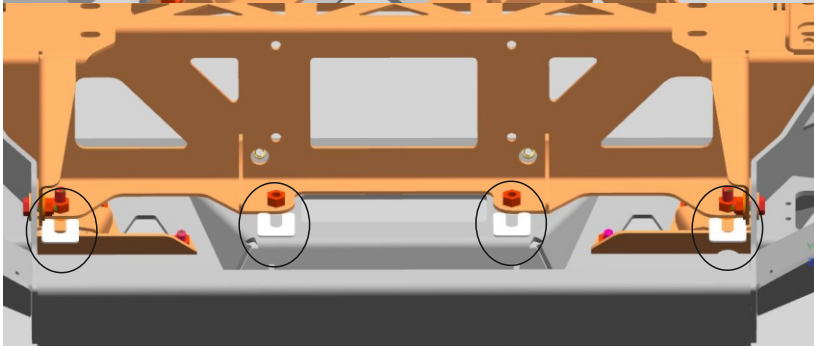
29. Tighten bolts in the following order.

Check if both sides are symmetrical.
If adjustment is needed,
go back to step 16.



28. Using a 10mm drill bit drill a hole through the existing hole of the winch bracket from both left and right.

Tighten bumper body (1) and winch bracket (2) together using bolts M10x30 (A), nuts M10 (I) and washers 10 (L).



29. If there is a gap left between the winch bracket (2) and adapter (2, 3) then insert the supplied adjustable plate (R or S) of most appropriate size. Do the same for any gap between bumper body (1) and winch bracket (2) under the bolts of hawse.



30. Mount towing hooks (8). Tighten round-head screws M10x30 (F) and washers 10 (L).

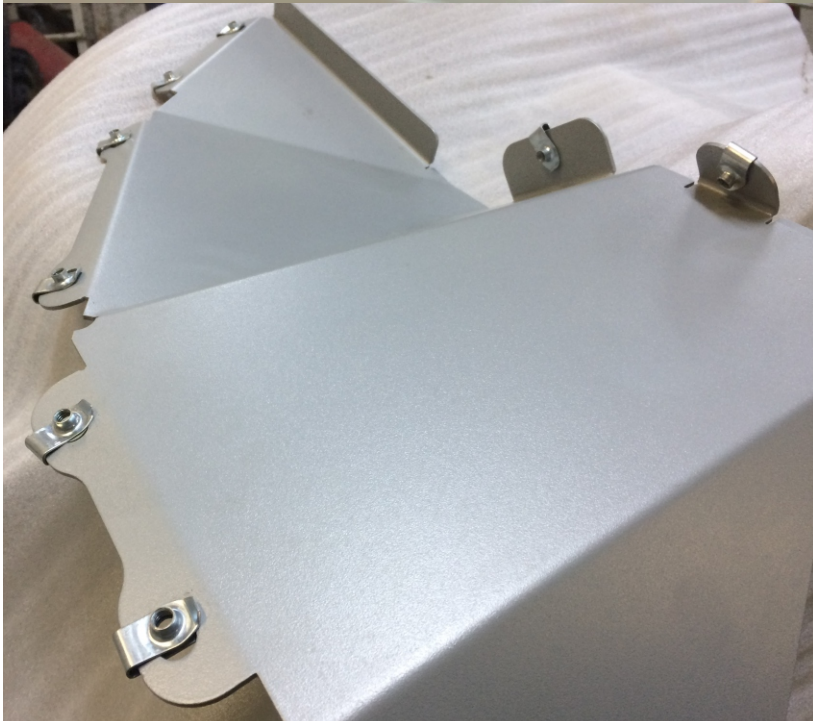


33. LED lights (14) have been mounted to the Bumper Body for transport purposes and are not tightened to the specified tension.

NB - If the vehicle is fitted with factory fog lights the connector on the OE wiring harness will need to be changed to the supplied connector.



32. Install brackets (9) with LED lights (14). Fix them with round-head crews M6x20 (D) and washers 6.



33. Place clamp M6 U-nut (G) on flaps (11, 12).



34. Install flaps (11, 12) using few round-head screws M6x20 (D) and washers 6 (K).

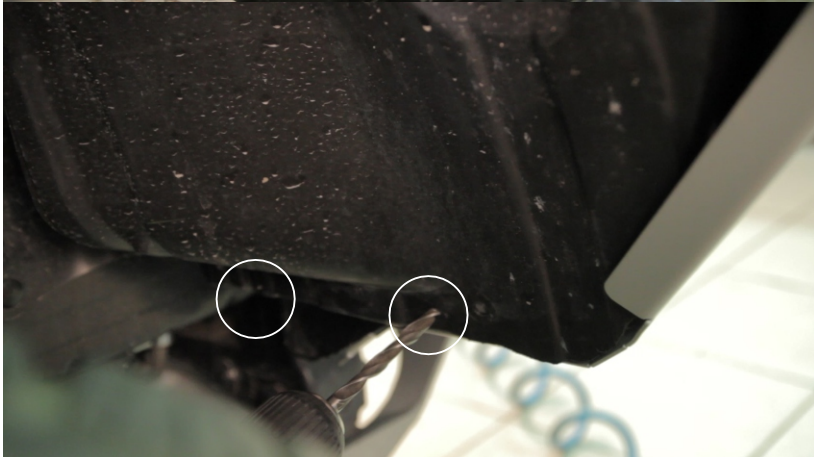


35. Push flap (11, 12) to plastic fender and mark cutting line.

Remove flap (11, 12) and cut plastic fender following the marked cutting line using jig-saw or shears.

Caution: Use care not to damage the windscreen washer bottle or hoses when cutting LH plastic fender.

Install flaps (11, 12) using 7x round-head screws M6x20 and 7x washers 6.



36. Using a 6-8mm drill bit drill 2 holes in plastic fender in accordance with holes in flap. Fix flaps (11, 12) with blind head screws M6x20 (D) and washers 6 (K).



37. Remove lower screw out of radiator grill (T). Mount supplied racket using screw 4.2x16 (J) from fitting kit.



38. Mount radiator grill and fix it using OE fittings.



39. Mount plastic panel using OE scrivets.



40. Install middle plate (10) between bumper (1) and RIVAL skid plate. Fix it using 9x countersunk-head screws M10x30 (F) and countersunk washers (O).

Before operating a vehicle fitted with a RIVAL Bumper:

- **Make sure all fittings are tightened**
- **Check winch operation**
- **Check all electrical wiring attached to lights**

