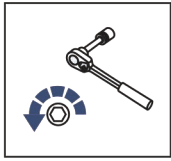
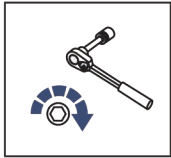


**2M.0003.1 ; 2M.0003.2 ; 2M.0003.3 ;
2M.0003.4 ; 2M.0003.5**

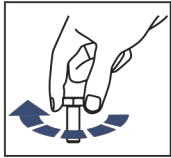




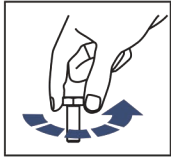
Regular fasteners



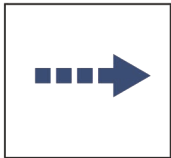
Regular fasteners



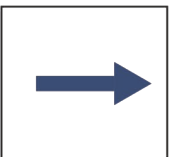
Screw a several turns



Loosen bolts



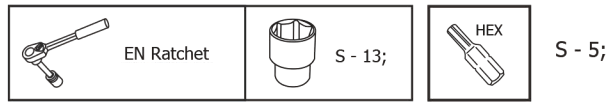
Movement Arrow



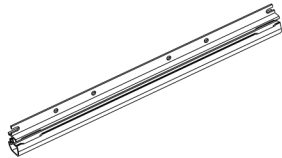
Location/Position Arrow



Screw Arrow



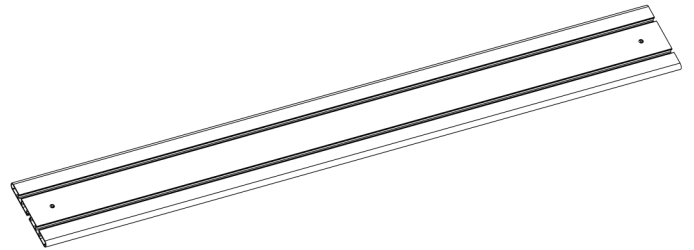
1



480 mm

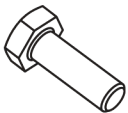
x2

2



x2

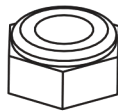
5



M8x16

x9

6



M8

x9

7



Ø8

x13

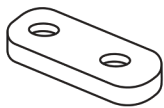
8



M8

x2

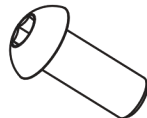
9



Ø8

x2

10



M8x20

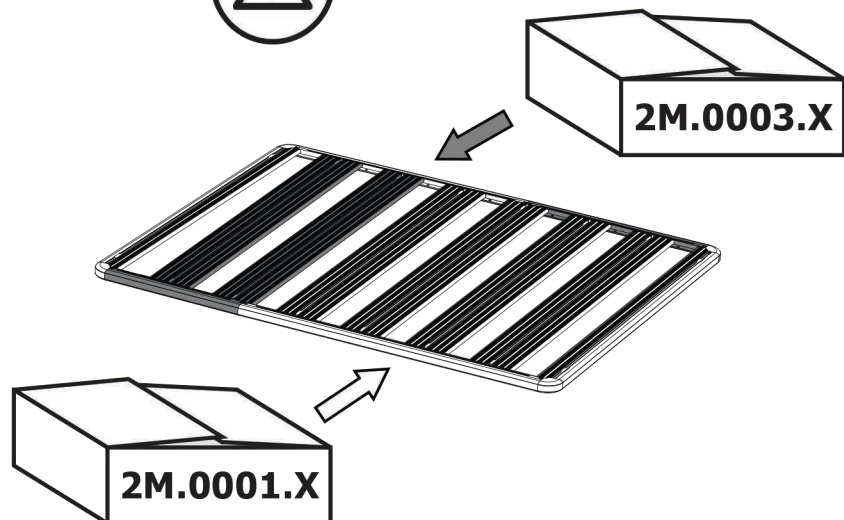
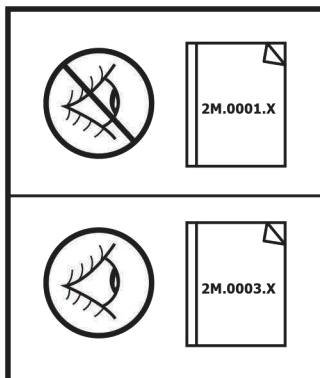
x4

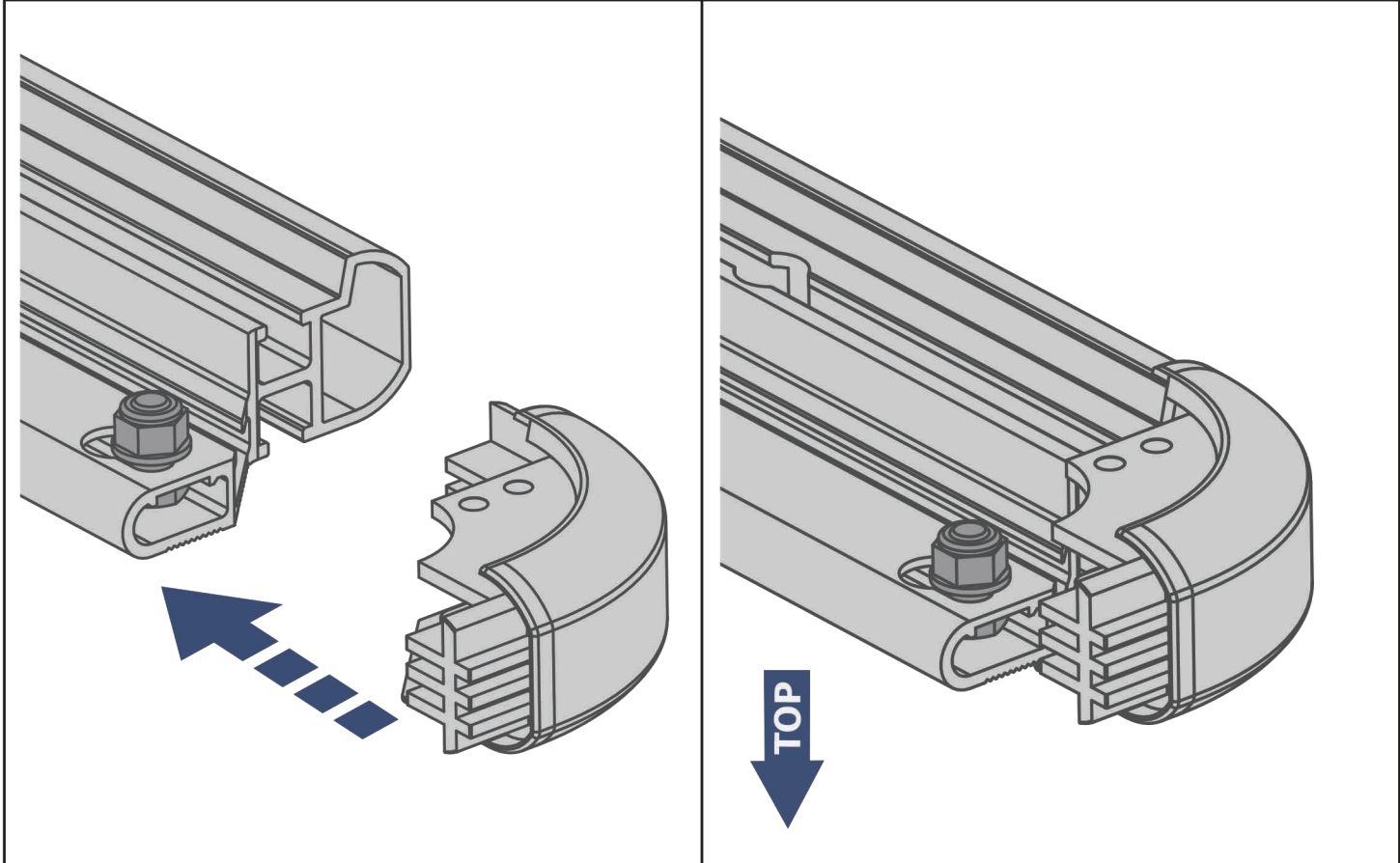
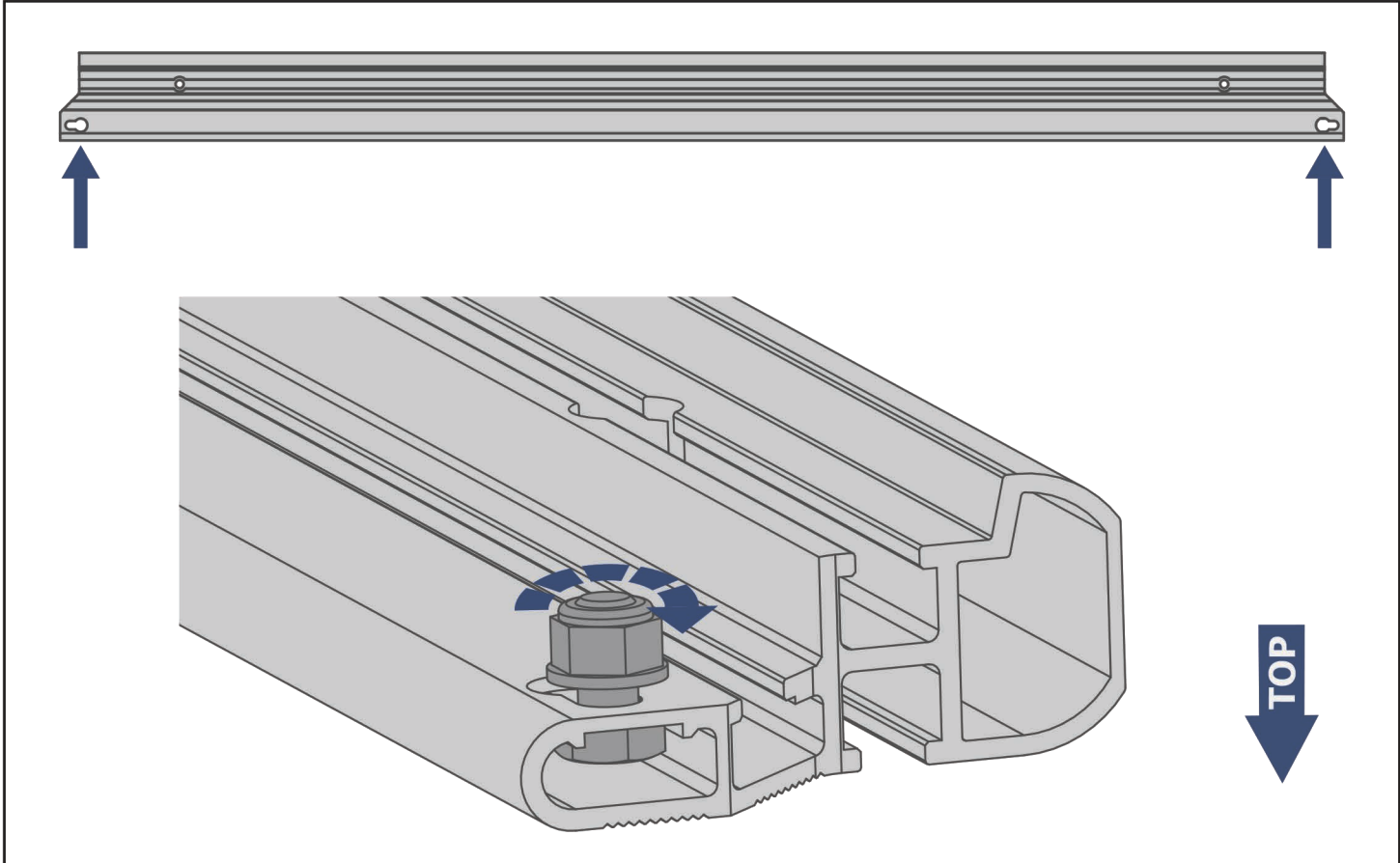
11

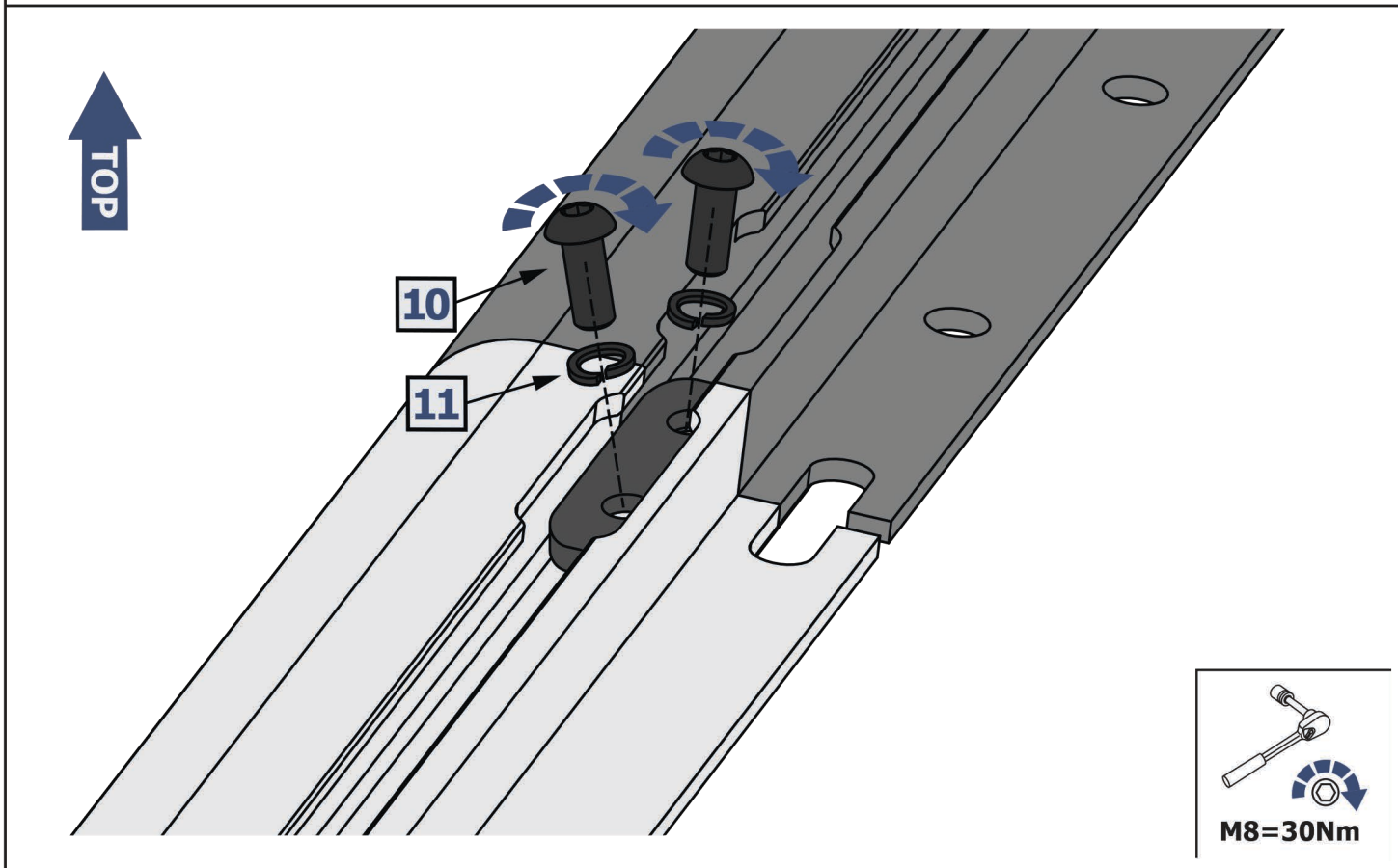
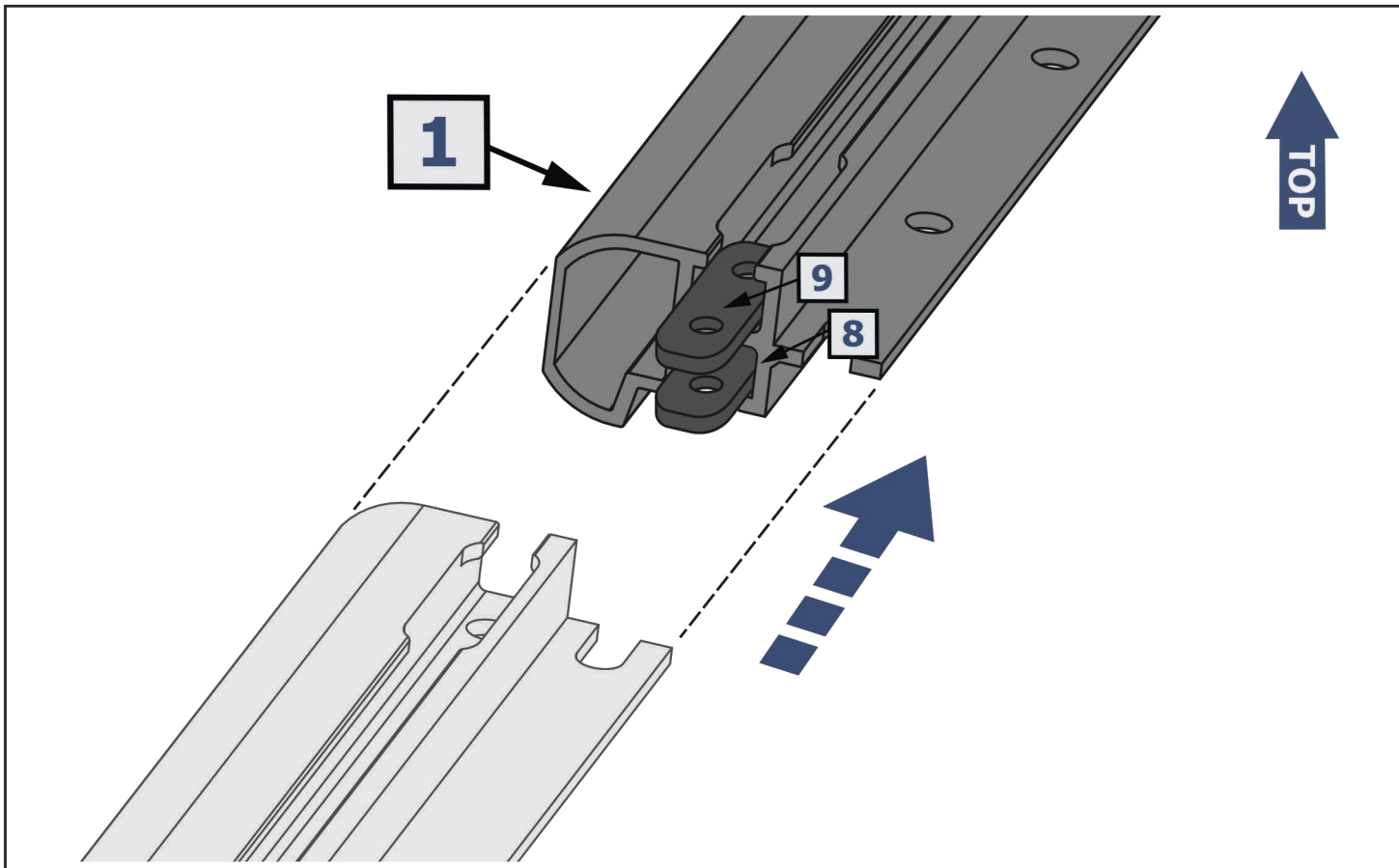


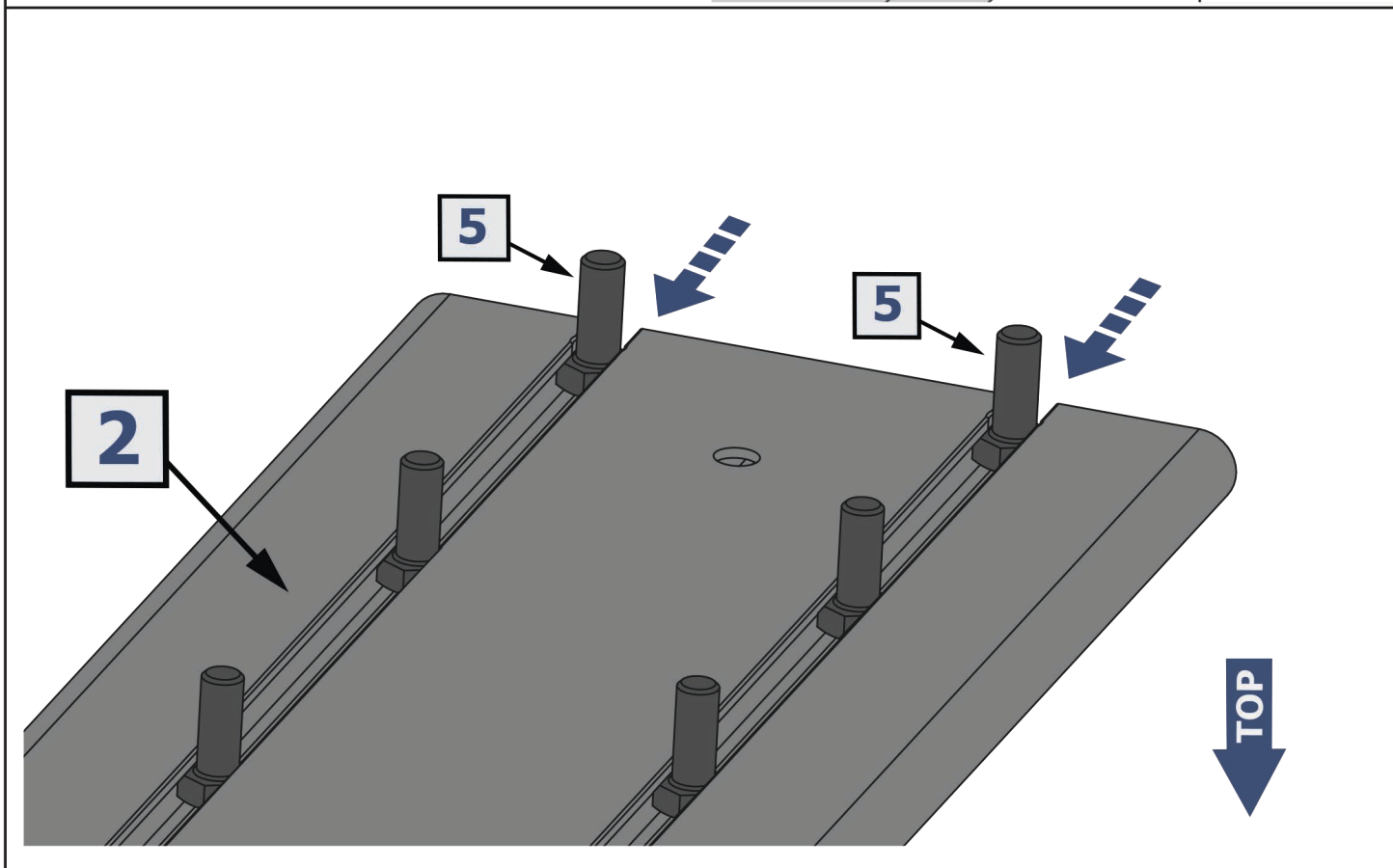
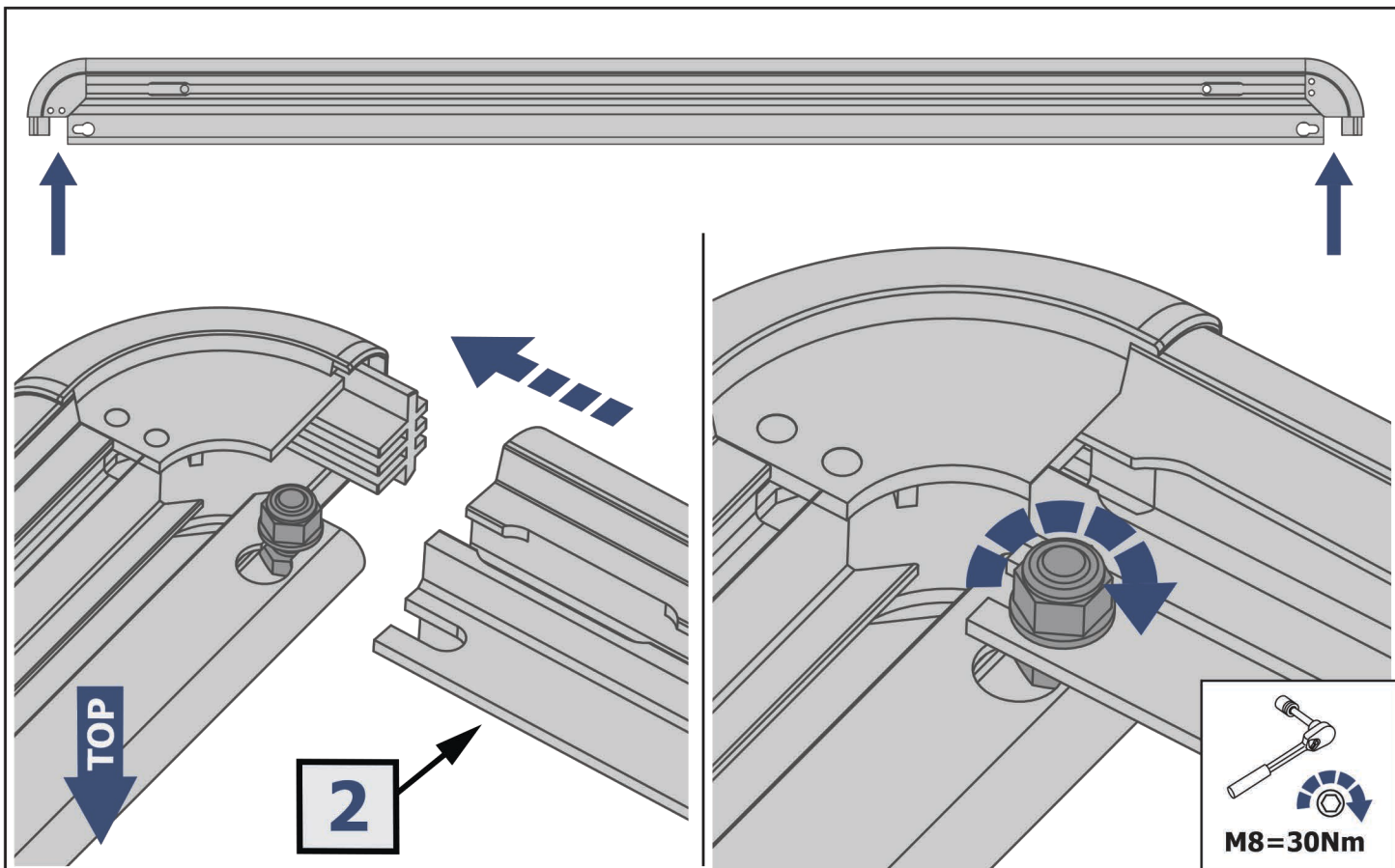
Ø8

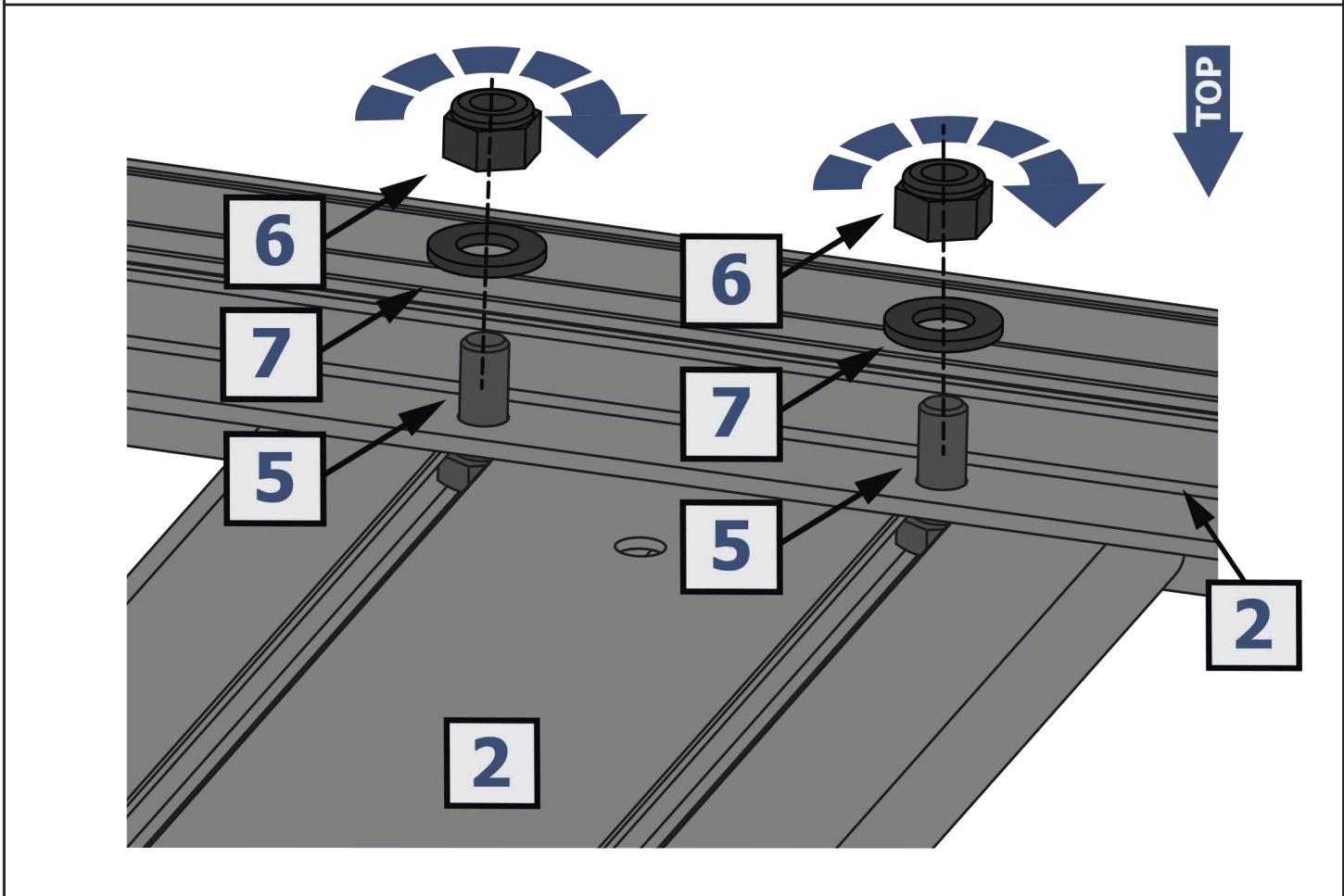
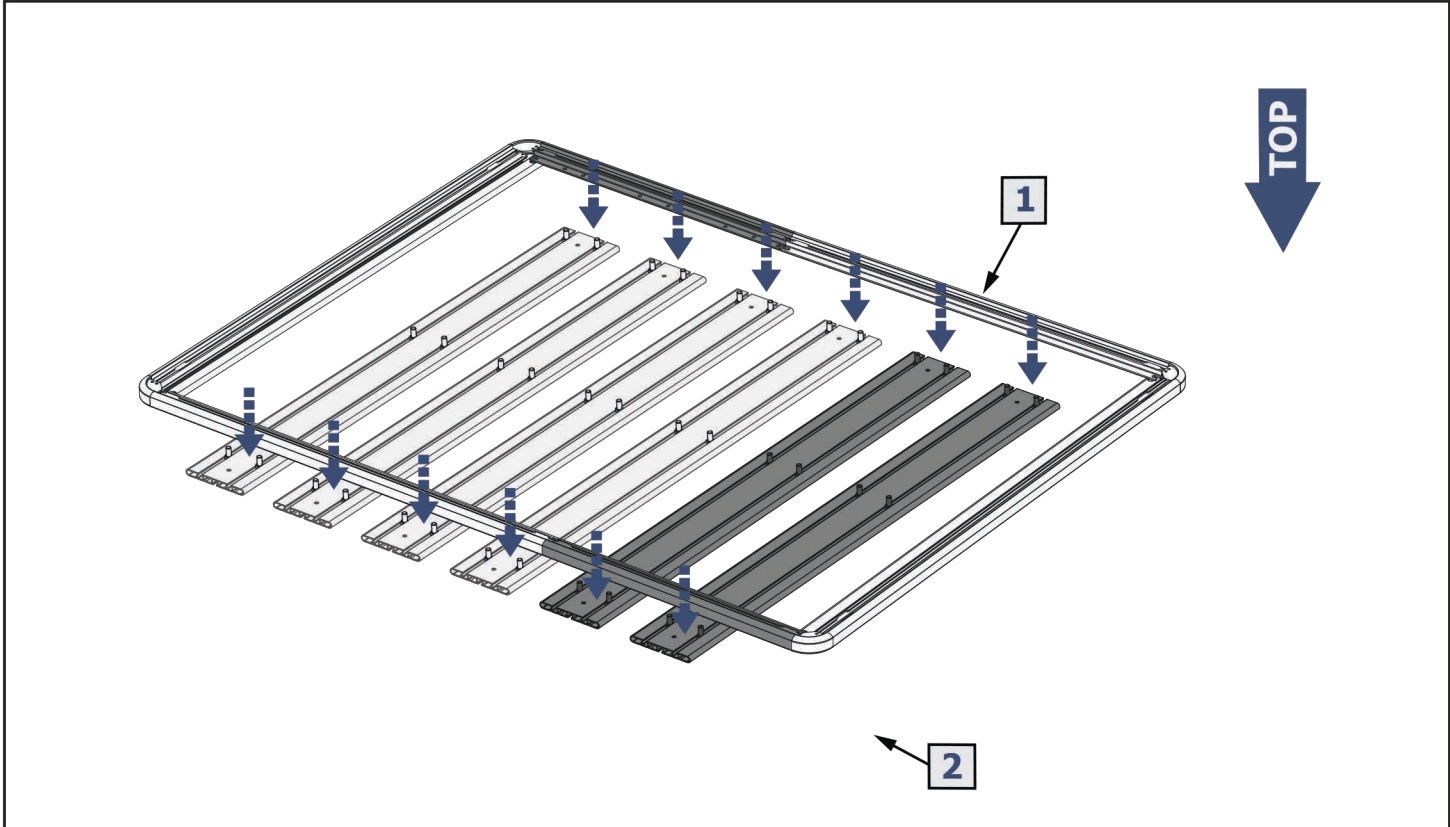
x4

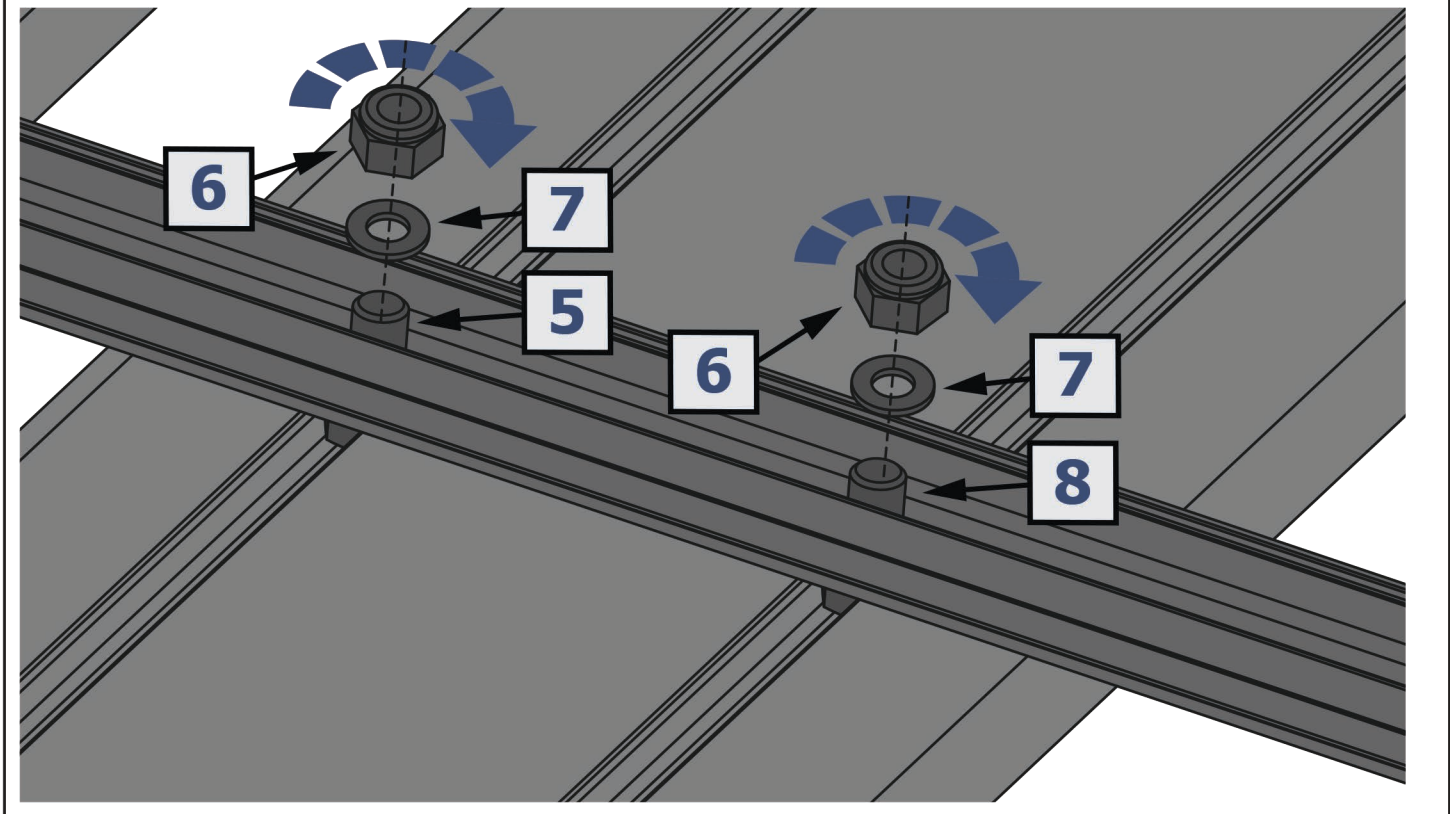
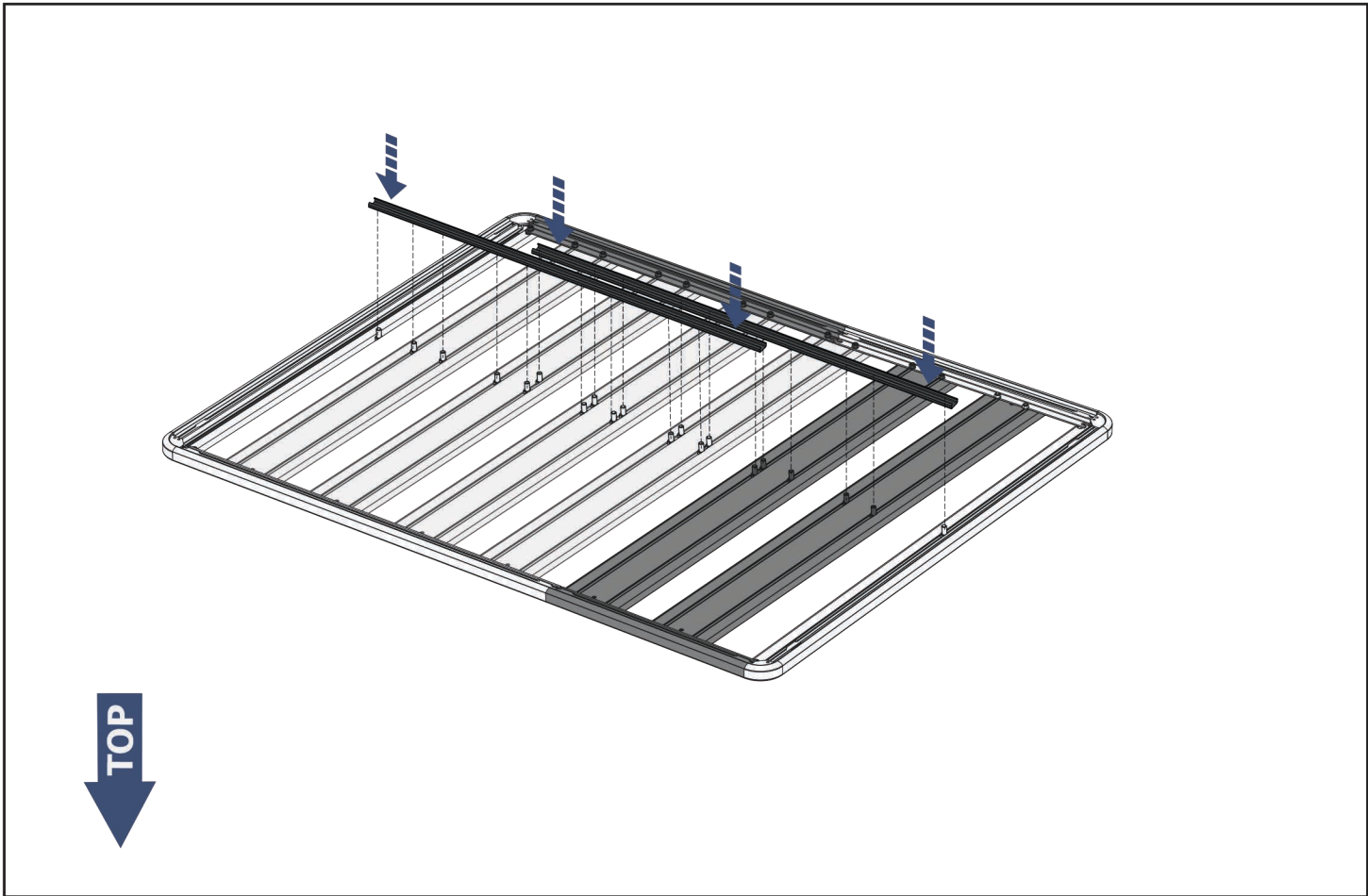


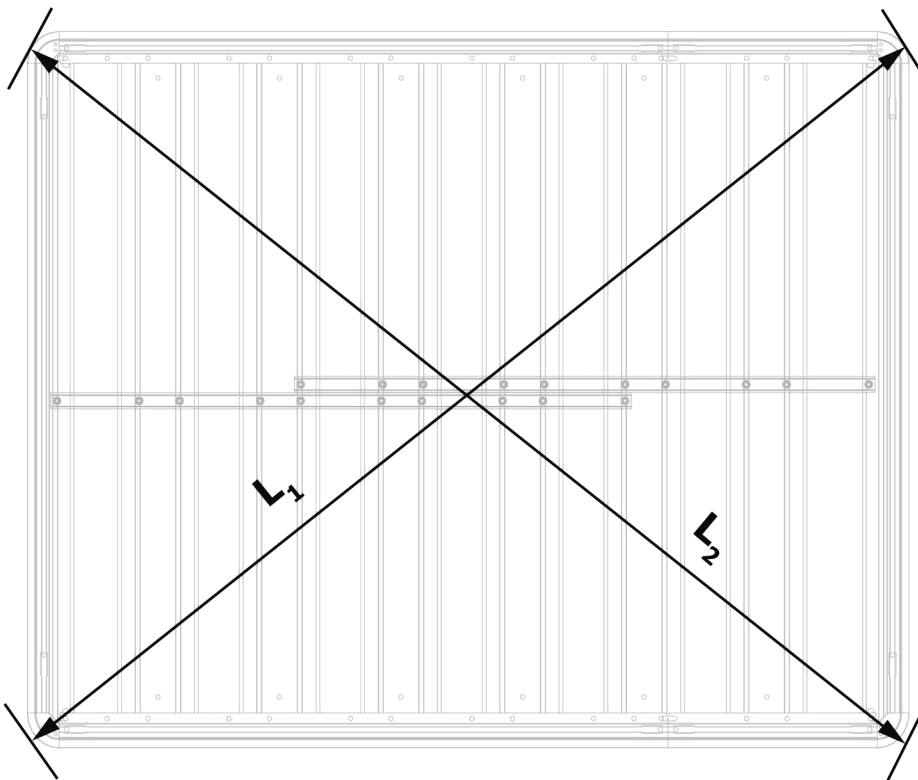
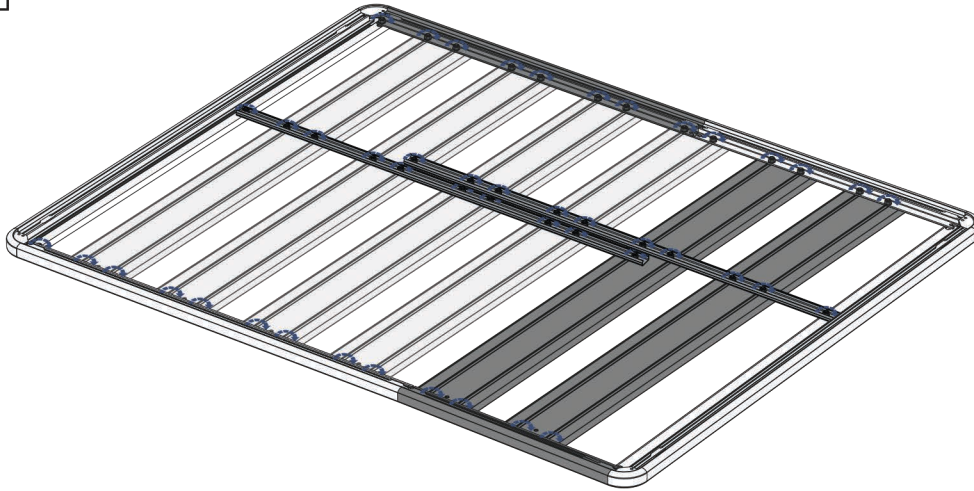












$$L_1 = L_2 \pm 1\text{mm}$$