

*For more info about compatibility with other models
please see the sticker on the skid plate

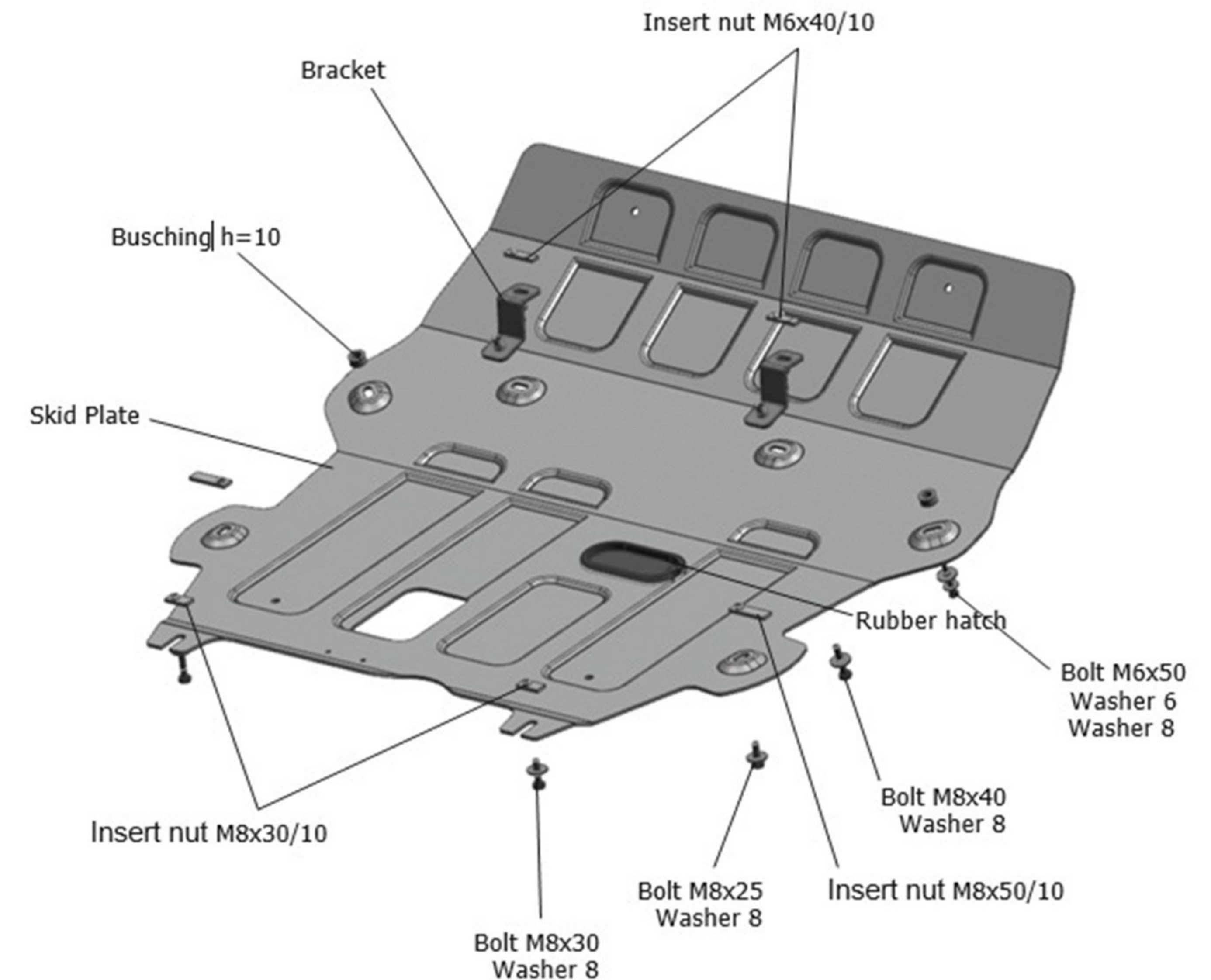
RENAUL DUSTER / DACIA

No.: 4704.1 Engine block & gearbox

Body: All
Year: 2011-
Engine: 1.6; 2.0
Transmission: All

FITTING KIT

| | |
|------------------------------|------|
| 1. Bolt M6x30..... | 2 pc |
| 2. Bolt M6x50..... | 2 pc |
| 3. Bolt M8x25..... | 2 pc |
| 4. Bolt M8x30..... | 2 pc |
| 5. Bolt M8x40..... | 2 pc |
| 6. Washer 6..... | 4 pc |
| 7. Washer 8..... | 8 pc |
| 8. Insert nut M6x40/10..... | 2 pc |
| 9. Insert nut M8x30/10..... | 2 pc |
| 10. Insert nut M8x50/10..... | 2 pc |
| 11. Bushing h=6mm..... | 2 pc |
| 12. Bracket..... | 2 pc |
| 13. Rubber hatch..... | 1 pc |



INSTALLATION INSTRUCTIONS

1. Remove original plastic cover.
2. Mount insert nuts M8x30/10 above the apertures in rear part of underframe, then screw bolts M8x30 into them.
3. Mount insert nuts M8x50/10 above the apertures in side part of underframe.
4. Mount insert nuts M6x40/10 above the apertures in front part of underframe, then fix brackets to them with bolts M6x30.
5. Place rear end of skid plate on mounted bolts M8x30, then fix its front end to original threaded apertures with bolts M6x50 through bushings h=10mm. Also fix front end of skid plate to mounted brackets with bolts M8x40. Fix the middle part of skid plate to mounted insert nuts M8x50/10 with bolts M8x25.
6. Tighten all screws (50 Nm for M10, 30 Nm for M8, 10 Nm for M6). Use of pneumatic tools is prohibited.



WWW.RIVAL4X4.COM