

INSTALLATION MANUAL

PRODUCT: REAR BUMPER

MODEL: MITSUBISHI L200 (2019-)

PART NO: 2D.4012.1-NL



CAUTION!

To reduce the risk of serious injury or damage, please read and understand all instructions and procedures before attempting to install or use this product. Safety glasses must be worn at all times during installation or maintenance of this product. Ensure all mounting bolts are tensioned after 400 km (250 miles) and periodically there after.

NOTICE

Whilst the bumper adds additional protection to your vehicle, precautionary measures still need to be taken to avoid damage. Always drive to the conditions and your surroundings.

REAR BUMPER



Part number 2D.4012.1-NL
Suited to vehicle: MITSUBISHI L200 (2019-)
Material: Aluminum / Steel



SAFETY NOTICE

- * The Bumper is designed to compliment the use and design of the specified vehicle under conditions specified by the vehicle manufacturer.
- * While driving the vehicle at any speed, collision with any other vehicle, animal or object must always be avoided.
- * Following any collision with any other vehicle, animal or object, Bumper and the vehicle must be inspected by a specialized or suitably qualified vehicle repairer for possible damage to the components and assemblies in order to confirm suitability for further use of the vehicle.
- * It is strongly recommended that you do not operate a vehicle with a damaged bumper or its components. In the case of damage, please contact the nearest Rival authorised stocklist.
- * The operation of a vehicle where the bumper is not properly attached and fastened to the vehicle, or where the bumper has been damaged, is extremely dangerous and must be avoided at all cost.
- * It is recommended that you carry out regular inspections of all the bumper elements such as all bolts, wires, connectors.

INSTALLATION NOTICE

- * The Bumper must be mounted and affixed to the vehicle according to the installation manual provided by an authorized Rival dealer or Motor dealer or by a special vehicle repairer or fitment center.
- * Estimated time for installation: 2 hours.
- * Personal safety during the installation process must be adhered to at all times and the use of personal safety equipment is highly recommended.
- * Do not install this bumper on vehicle models other than those allowed in this manual.
- * Check state and local highway safety laws regarding permitted bumper types and heights.

REQUIRED TOOLS

- * Basic tool kit
- * Torque wrench
- * Crosspoint and flat head screwdriver

TORQUE SETTING

- * M6 - 9 Nm,
- * M10 - 30 Nm,
- * M12 - 77 Nm

*RECOVERY POINTS



WARNING

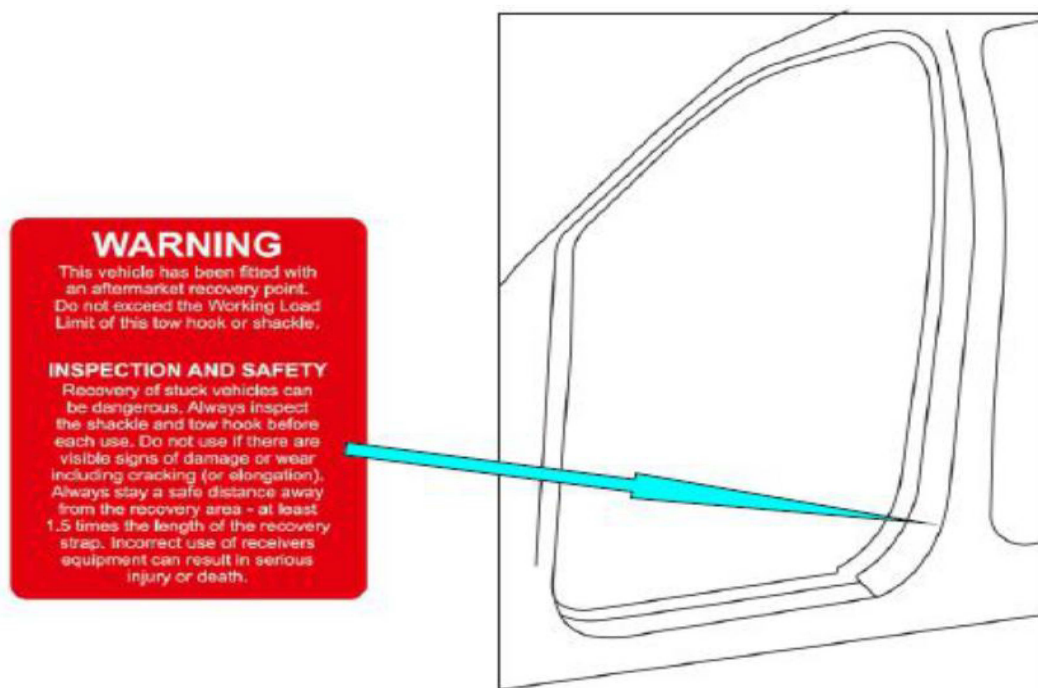
Do not exceed the Working Load Limit of these recovery points or shackle.

INSPECTION AND SAFETY

Recovery of stuck vehicles can be dangerous. Always inspect the shackle and recovery points before each use. Do not use if there are visible signs of damage or wear including cracking (or elongation). Always stay a safe distance away from the recovery area - at least 1.5 times the length of the recovery strap. Incorrect use of receivers equipment can result in serious injury or death.

Always use recovery points as a matched pair teamed with an equalising bridle during any recovery situation.

Please attach this "Warning" label to the door aperture.



TECHNICAL INFORMATION



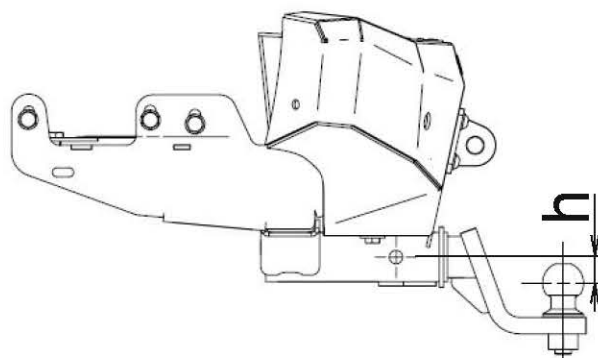
*TOW BAR INSTALLATION

The bumper design provides for installation of the American-style tow bar – square 2 (50.8 mm).

Maximum allowable vertical static load on the tow bar should be not more than 100 kg, irrespective of the trailer total weight.

Maximum total weight of the towed trailer:

Distance h, mm	Trailer weight without braking mechanism, kg	Trailer weight fitted with braking mechanism, kg
0-35	1000	2500
36-80	750	1700



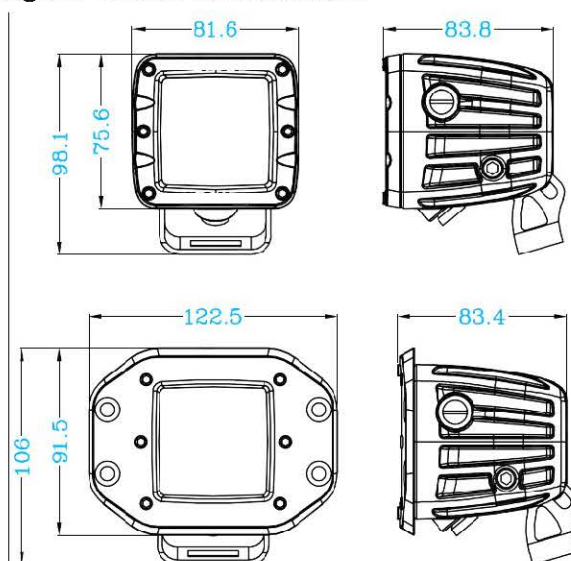
Caution!

Towing of the trailer which is incompliant with specified requirements may result in damage to tow bar or bumper.

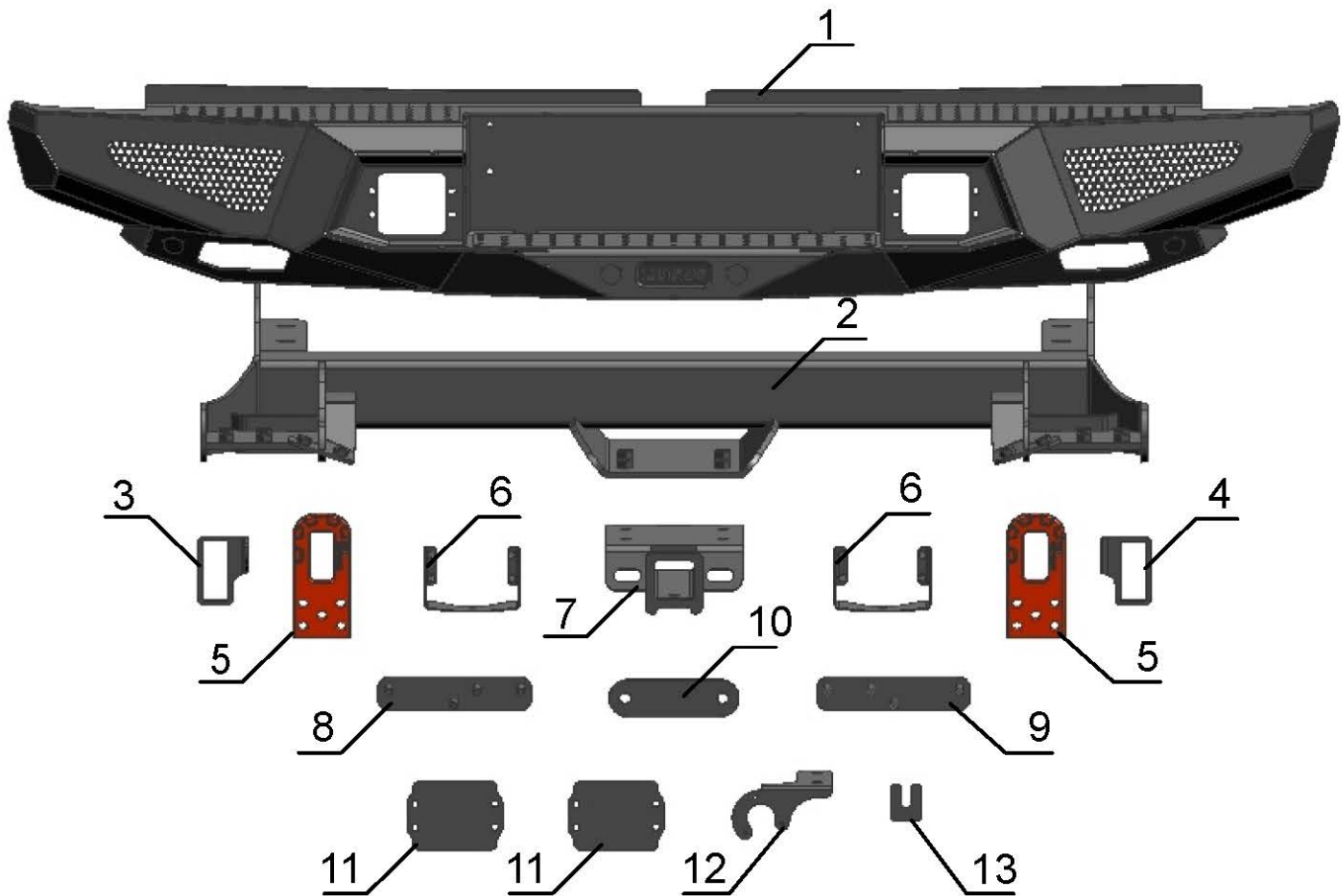
*LIGHTS

The bumper provides for the light mounting points.

Overall dimensions of the lights under installation:

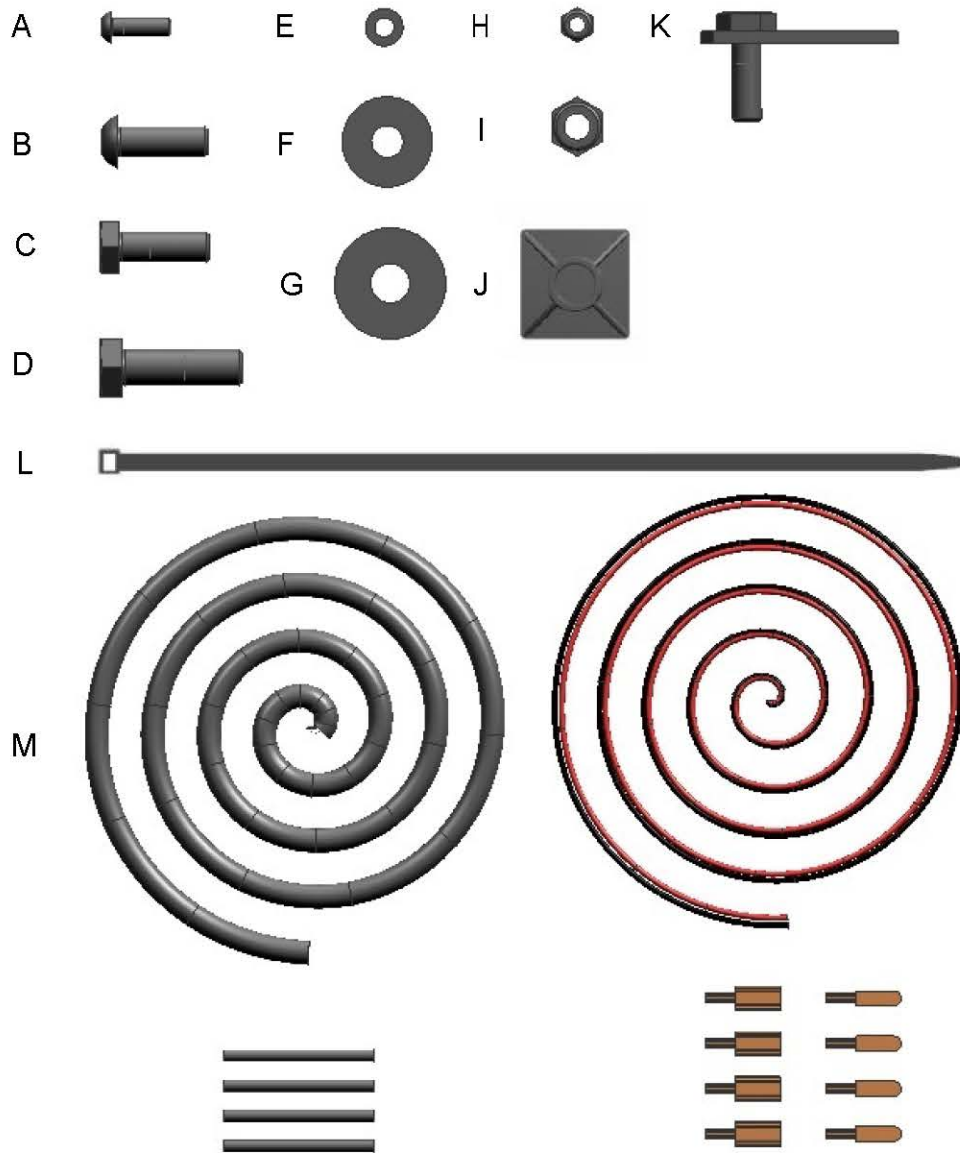


PARTS LISTING



- | | |
|--|--------------------------------------|
| 1. Aluminum bumper body.....Qty 1 | 8. Insert bracket left.....Qty 1 |
| 2. BracketQty 1 | 9. Insert bracket right.....Qty 1 |
| 3. Left bracket for license plate light.....Qty 1 | 10. Adjusting plate.....Qty 1 |
| 4. Right bracket for license plate light.....Qty 1 | 11. Lamp plug.....Qty 2 |
| 5. Recovery points.....Qty 2 | 12. Tow bar socket bracket.....Qty 1 |
| 6. LED bracketQty 2 | 13. Adjusting plate 2mm.....Qty 8 |
| 7. Tow bar square.....Qty 1 | |

PARTS LISTING



A.	Screw M6x20.....	Qty 10
B.	Screw M10x30.....	Qty 4
C.	Bolt M10x30.....	Qty 2
D.	Bolt M12x40 (2 pc. preinstalled, as travel hardware, in bumper bracket (pos. 2) and aluminum bumper body (pos. 1)).....	Qty 12
E.	Washer 6.....	Qty 20
F.	Washer penny 10.....	Qty 18
G.	Washer penny 12 (2 pc. preinstalled, as travel hardware, in bumper bracket (pos. 2) and aluminum bumper body (pos. 1)).....	Qty 12
H.	Nut M6.....	Qty 10
I.	Nut M10.....	Qty 12
J.	Cable clips.....	Qty 4
K.	Insert bracket M10.....	Qty 2
L.	Cable tie.....	Qty 4
M.	Rear bumper wire extension.....	Qty 2

INSTALLATION PROCEDURE



Before installation: Unscrew bolts M12x1,25x40 (pos. D) and washers 12 (pos. G), preinstalled as travel hardware, in bumper bracket (pos. 2) and aluminum bumper body (pos. 1). Set aside to reuse later on.



Fig. 1

1. Open the hood. Disconnect terminal “-” from the vehicle battery.



Fig. 2

2. Unscrew 2 OE bolts (both sides) and remove OE bumper.



Fig. 3

3. Unscrew 2 OE bolts (both sides) and remove bumper brackets.



Fig. 4

4. Disconnect LED light of license plate light. Remove license plate light case.



Fig. 5

5. Install insert bracket M10 (pos. K), as shown in fig. 5.

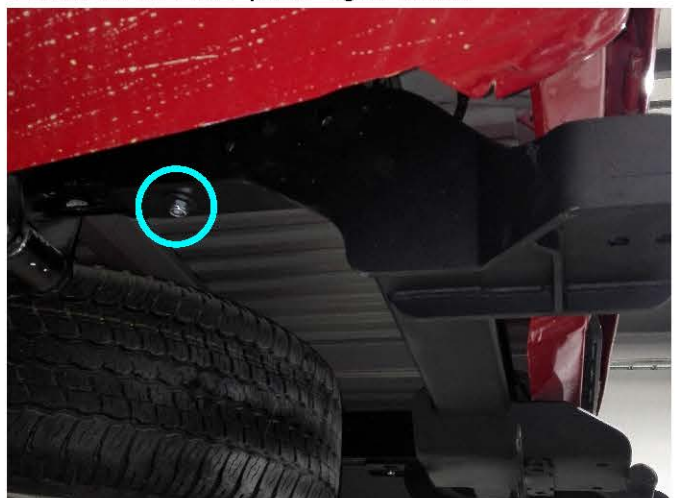


Fig. 6

6. Install bracket (pos. 2) using nuts M10 and washers 10 (pos. I, F). Do not tighten yet.

INSTALLATION PROCEDURE



Fig. 7

7. Install insert bracket left (pos. 8) on driver's side and insert bracket right (pos. 9) on passenger's side.



Fig. 8

8. Install bolt M10x30 and washer 10 (pos. C, F) on driver's and passenger's sides, as shown in fig. 8.

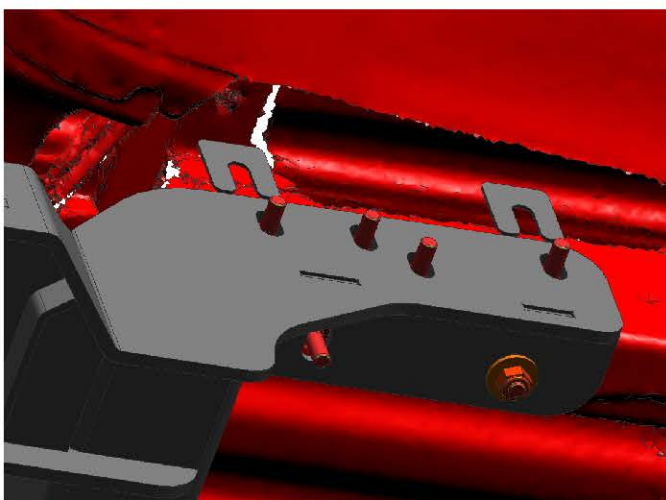


Fig. 9

9. Adjust space between bracket and longeron, if needed, using adjusting plates 2mm (pos. 13).



Fig. 10

10. Fix bracket using nuts M10 and washers 10 (pos. I, F). Tighten hardware after that.



Fig. 11

11. Fix towing hooks (pos. 5) using bolts M12x40 and washers 12 (pos. D,G). Tighten hardware after that.



Fig. 12

12. Extend license plate light wire using rear bumper wire extension (pos. M) follow instruction in wire extension kit. Fix wire using cable clips and cable tie (pos. J, L).

INSTALLATION PROCEDURE



Fig. 13

13. Place and fix license plate light cases in brackets (pos. 3,4) as shown in fig. 13.



Fig. 14

14. Install license plate light cases into special holes in aluminum bumper body (pos. 1). Fix brackets (pos. 3,4) using screw M6x20, Washer 6 and Nut M6 (pos. A, E, H). Tighten hardware after that.



Fig. 15

15. Install aluminum bumper body (pos. 1) using screws M10x30 and washers 10 (pos. B,F). Align bumper body on the vehicle. Tighten hardware after that.



Fig. 16

16. Install tow bar square (pos. 7) using bolt M12x40 and washers 12 (pos. D,G). Do not tighten yet.

INSTALLATION PROCEDURE



Fig. 17

17. Install adjusting plate (pos. 10) between bumper body (pos. 1) and tow bar square (pos. 7), as shown in fig. 17.



Fig. 18

18. Fix tow bar square (pos. 7) through tow bar socket bracket (pos. 12) using bolts M12x40 and washers 12 (pos. D,G). Tighten hardware after that.



Fig. 19

19. Connect license plate light LED with bumper body.



Fig. 20

20. Fix your aftermarket LED cudic lights to brackets (pos. 6). This brackets are not compatible with flush mount LED lights (parts number 2D.0042.1, purchased separately).



Fig. 21

21. Install LED lights or Lamp plug (pos. 11), using screw M6x20, Washer 6 and Nut M6 (pos. A, E, H).

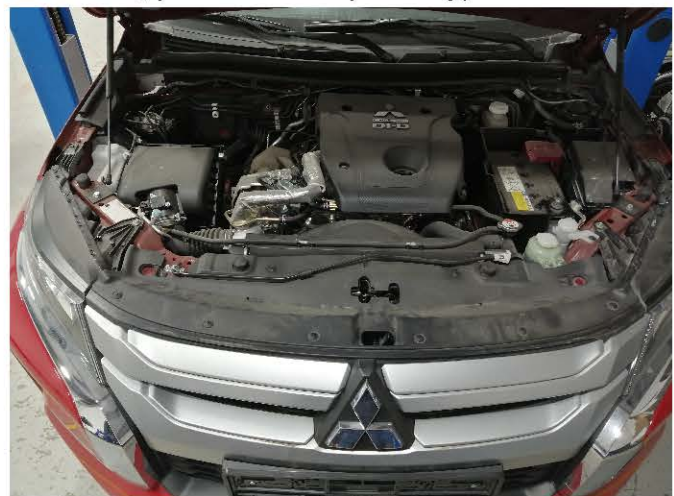


Fig. 22

22. Check all wires. Connect terminal "-" of the battery.

INSTALLATION PROCEDURE



Before operating a vehicle fitted with a RIVAL Bumper 2D.4012.1-NL:

- make sure all fittings are tightened
- check all electrical wiring attached to lights

